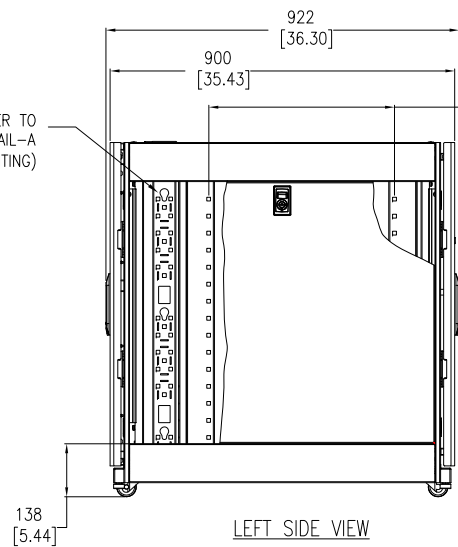


FRONT VIEW

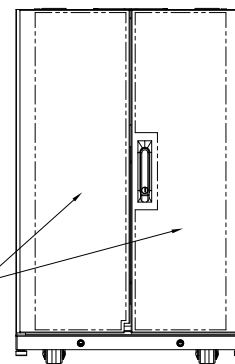
REFER TO  
DETAIL-A  
(RMPDU MOUNTING)



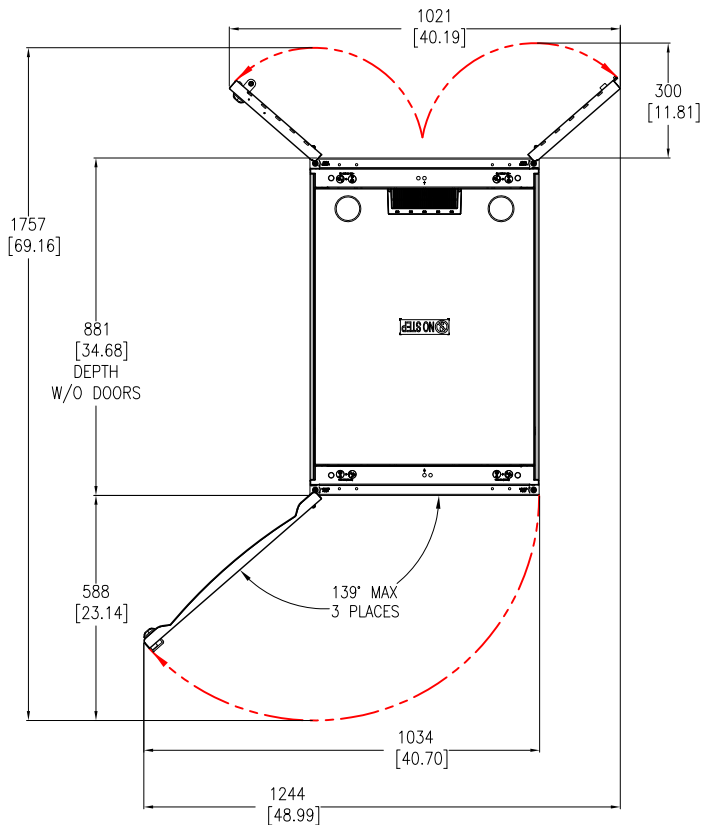
LEFT SIDE VIEW

FRONT

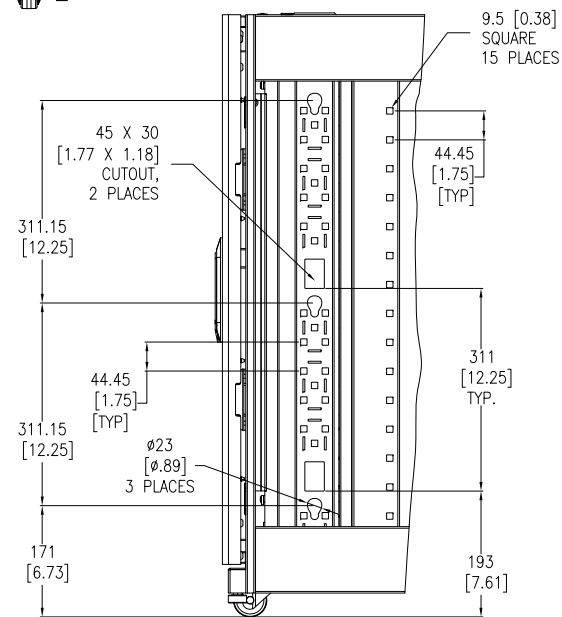
THIS PANEL IS  
CONSTRUCTED  
WITH PERFORATED  
MATERIAL



REAR VIEW



TOP VIEW  
(DOORS FULLY OPEN)



DETAIL-A  
(RMPDU MOUNTING)

**NOTES:**

1. INSTALLATION SHALL COMPLY WITH ALL APPLICABLE NATIONAL, STATE AND LOCAL ELECTRICAL REGULATIONS.
2. REFER TO PRODUCT DOCUMENTATION FOR ADDITIONAL DETAILS PRIOR TO INSTALLATION AND SITE PREPARATION WORK.
3. ALL DIMENSIONS ARE IN MILLIMETERS [INCHES].
4. NET WEIGHT OF UNIT IS 67kg [148 lb].
5. CABLE ENTRY IS TOP OR BOTTOM OF THE UNIT.
6. FRONT AND REAR SERVICE ACCESS REQUIRED.
7. AIR FLOW AND SERVICE REQUIREMENTS, AS WELL AS MINIMUM CLEARANCE TO FIRE SUPPRESSION SYSTEMS SHOULD BE CONSIDERED WHEN LOCATING THE ENCLOSURE.

THIS DRAWING AND SPECIFICATIONS HEREIN ARE THE PROPERTY OF SCHNEIDER ELECTRIC AND SHALL NOT BE COPIED, REPRODUCED OR USED IN WHOLE OR IN PART, AS THE BASIS FOR THE MANUFACTURE OR SALE OF ITEMS WITHOUT WRITTEN PERMISSION FROM SCHNEIDER ELECTRIC. THIS DRAWING IS BASED UPON LATEST AVAILABLE INFORMATION AND IS SUBJECT TO CHANGE WITHOUT NOTICE.



TITLE:  
NetShelter SX 18U  
600mm WIDE x 900mm DEEP  
SERVER RACK ENCLOSURE WITH SIDES  
GENERAL ARRANGEMENT

PROJECT: SUBMITTAL DRAWINGS SHEET 1 OF 3

DWG NO: AR3006

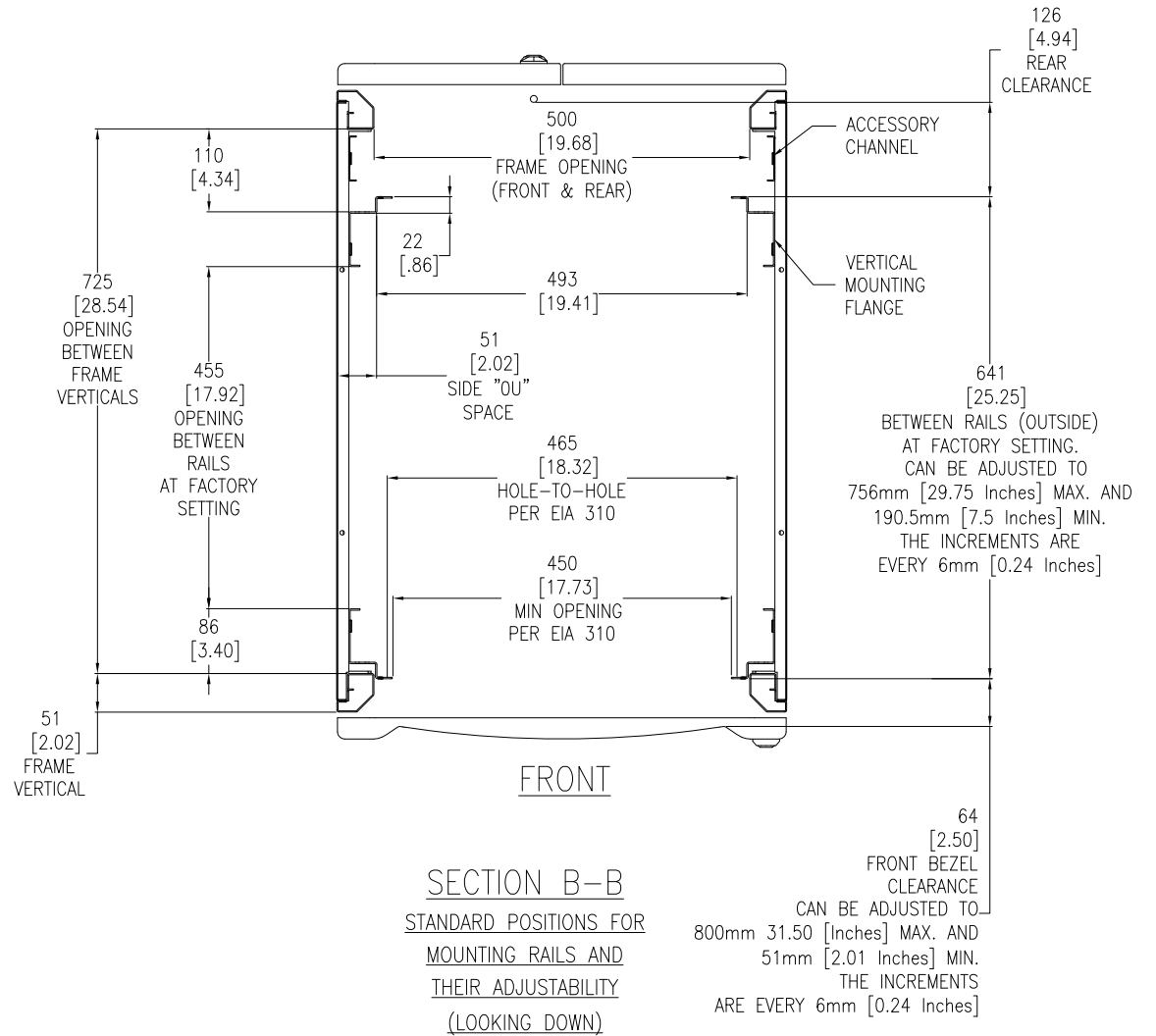
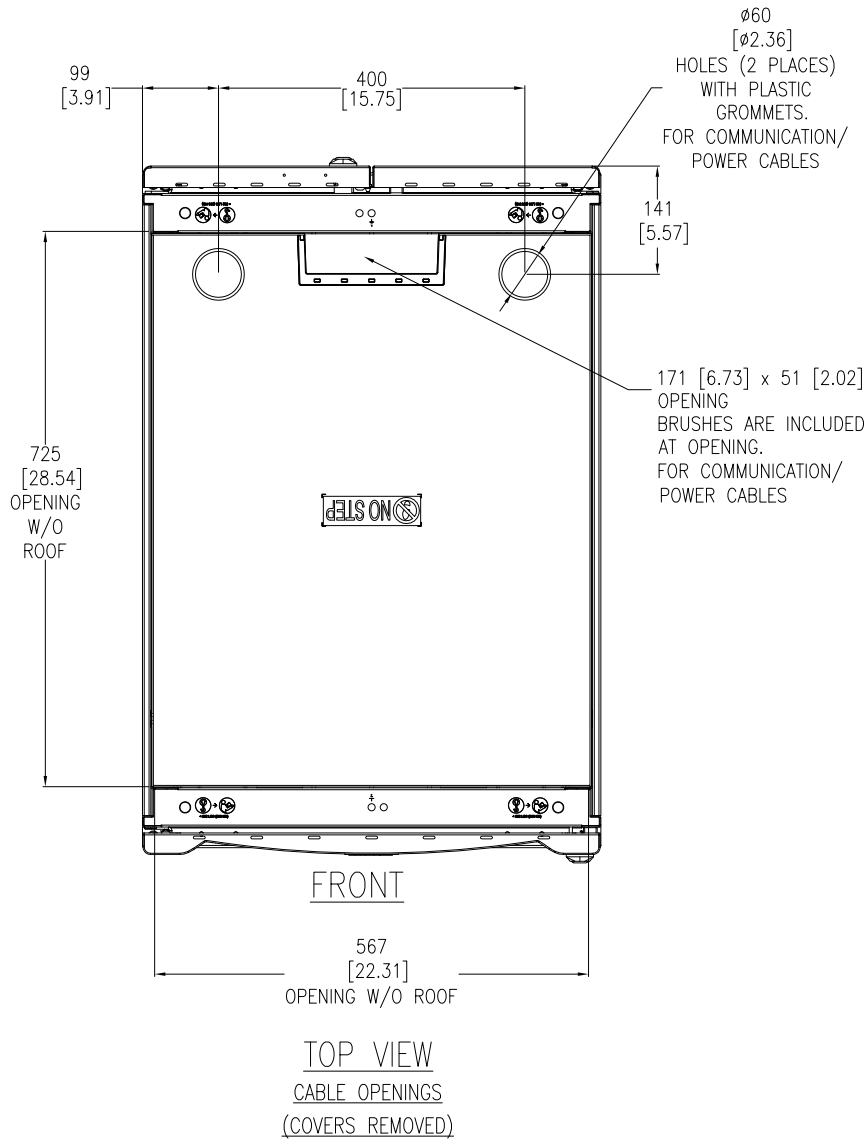
DRAWN BY: JAYAPRAKASH 17-MAY-19

ENGINEER: Jimxin REN DD-MMM-YY

APPROVED BY: TBD DD-MMM-YY

REV: 0

FIRST ANGLE PROJECTION



- NOTES:
1. INSTALLATION SHALL COMPLY WITH ALL APPLICABLE NATIONAL, STATE AND LOCAL ELECTRICAL REGULATIONS.
  2. REFER TO PRODUCT DOCUMENTATION FOR ADDITIONAL DETAILS PRIOR TO INSTALLATION AND SITE PREPARATION WORK.
  3. ALL DIMENSIONS ARE IN MILLIMETERS [INCHES].

THIS DRAWING AND SPECIFICATIONS HEREIN ARE THE PROPERTY OF SCHNEIDER ELECTRIC AND SHALL NOT BE COPIED, REPRODUCED OR USED IN WHOLE OR IN PART, AS THE BASIS FOR THE MANUFACTURE OR SALE OF ITEMS WITHOUT WRITTEN PERMISSION FROM SCHNEIDER ELECTRIC. THIS DRAWING IS BASED UPON LATEST AVAILABLE INFORMATION AND IS SUBJECT TO CHANGE WITHOUT NOTICE.

**Schneider Electric**

TITLE: NetShelter SX 18U  
 600mm WIDE x 900mm DEEP  
 SERVER RACK ENCLOSURE WITH SIDES  
 TOP VIEW & SECTION VIEW

PROJECT: SUBMITTAL DRAWINGS SHEET 2 OF 3

DWG NO: AR3006

DRAWN BY: JAYAPRAKASH 17-MAY-19

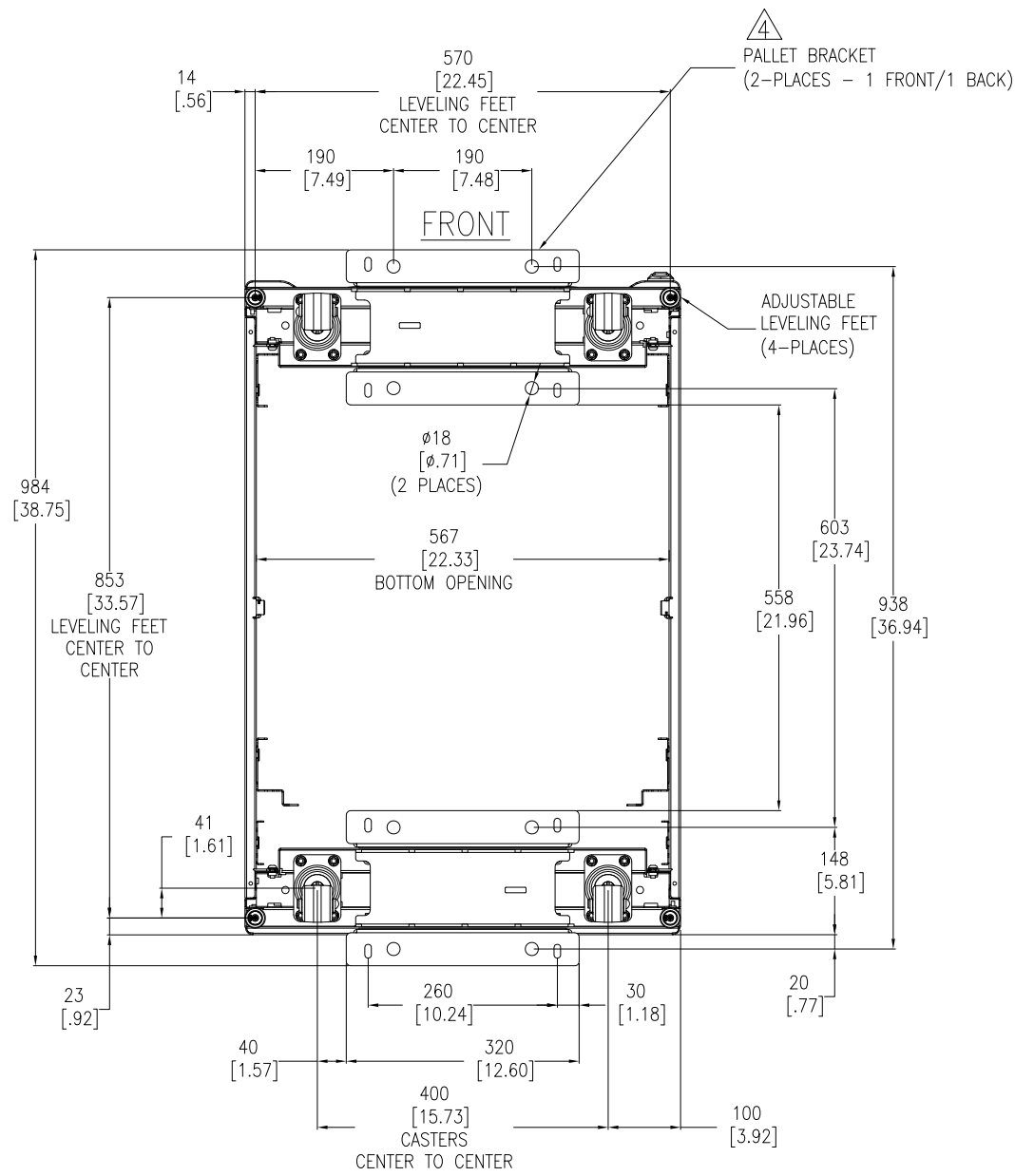
ENGINEER: Jinxin REN DD-MMM-YY

APPROVED BY: TBD DD-MMM-YY

REV: 0

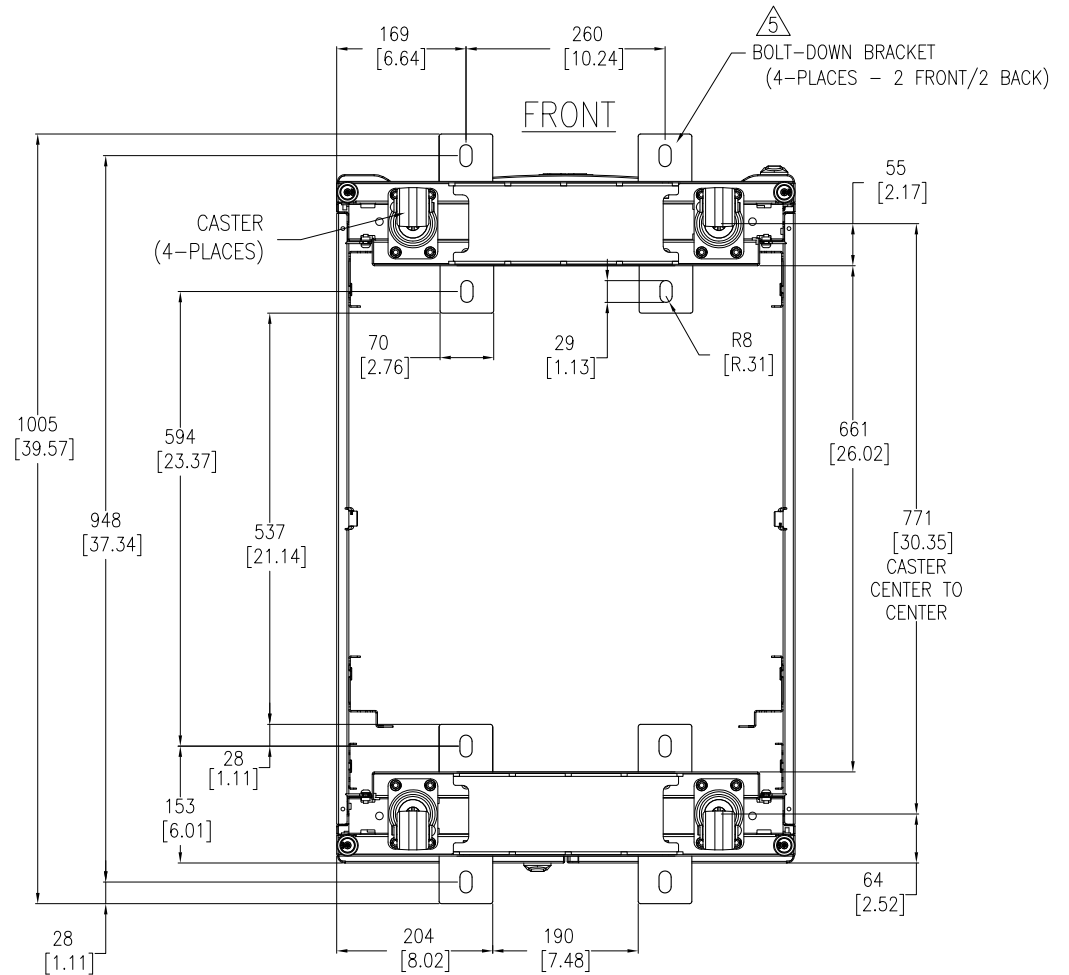
FIRST ANGLE

PROJECTION



**BOTTOM VIEW**

(WITH PALLET BRACKETS, CAN BE USED FOR ANCHORING)  
TOP ROOF NOT SHOWN



**BOTTOM VIEW**

(WITH OPTIONAL BOLT-DOWN BRACKETS FOR ANCHORING)  
TOP ROOF NOT SHOWN

- NOTES:**
1. INSTALLATION SHALL COMPLY WITH ALL APPLICABLE NATIONAL, STATE AND LOCAL ELECTRICAL REGULATIONS.
  2. REFER TO PRODUCT DOCUMENTATION FOR ADDITIONAL DETAILS PRIOR TO INSTALLATION AND SITE PREPARATION WORK.
  3. ALL DIMENSIONS ARE IN MILLIMETERS [INCHES].
  - △4. ANCHORING CAN BE INSTALLED EITHER INSIDE OR OUTSIDE THE NetShelter WITH ONE AT FRONT AND ONE IN BACK.
  - △5. BOLT-DOWN KIT (SKU# AR7701) IS OPTIONAL AND HAS TO BE ORDERED SEPARATELY.

THIS DRAWING AND SPECIFICATIONS HEREIN ARE THE PROPERTY OF SCHNEIDER ELECTRIC AND SHALL NOT BE COPIED, REPRODUCED OR USED IN WHOLE OR IN PART, AS THE BASIS FOR THE MANUFACTURE OR SALE OF ITEMS WITHOUT WRITTEN PERMISSION FROM SCHNEIDER ELECTRIC. THIS DRAWING IS BASED UPON LATEST AVAILABLE INFORMATION AND IS SUBJECT TO CHANGE WITHOUT NOTICE.



**TITLE:** NetShelter SX 18U  
600mm WIDE x 900mm DEEP  
SERVER RACK ENCLOSURE WITH SIDES  
BOTTOM VIEWS & ANCHORING DETAILS

**PROJECT:** SUBMITTAL DRAWINGS **SHEET:** 3 OF 3

**DWG NO:** AR3006

**DRAWN BY:** JAYAPRAKASH **DATE:** 17-MAY-19

**ENGINEER:** Jinxin REN **DATE:** DD-MMM-YY

**APPROVED BY:** TBD **DATE:** DD-MMM-YY

**REV:** 0

**FIRST ANGLE PROJECTION**