

NOTES:

1. INSTALLATION SHALL COMPLY WITH ALL APPLICABLE NATIONAL, STATE AND LOCAL ELECTRICAL REGULATIONS.
2. REFER TO PRODUCT DOCUMENTATION FOR ADDITIONAL DETAILS PRIOR TO INSTALLATION AND SITE PREPARATION WORK.
3. ALL DIMENSIONS ARE IN MILLIMETERS [INCHES].
4. NET WEIGHT OF UNIT IS 54kg [119 lb].
5. CABLE ENTRY IS TOP OR BOTTOM OF THE UNIT.
6. FRONT AND REAR SERVICE ACCESS REQUIRED.
7. AIR FLOW AND SERVICE REQUIREMENTS, AS WELL AS MINIMUM CLEARANCE TO FIRE SUPPRESSION SYSTEMS SHOULD BE CONSIDERED WHEN LOCATING THE ENCLOSURE.

THIS DRAWING AND SPECIFICATIONS HEREIN ARE THE PROPERTY OF SCHNEIDER ELECTRIC AND SHALL NOT BE COPIED, REPRODUCED OR USED IN WHOLE OR IN PART, AS THE BASIS FOR THE MANUFACTURE OR SALE OF ITEMS WITHOUT WRITTEN PERMISSION FROM SCHNEIDER ELECTRIC. THIS DRAWING IS BASED UPON LATEST AVAILABLE INFORMATION AND IS SUBJECT TO CHANGE WITHOUT NOTICE.

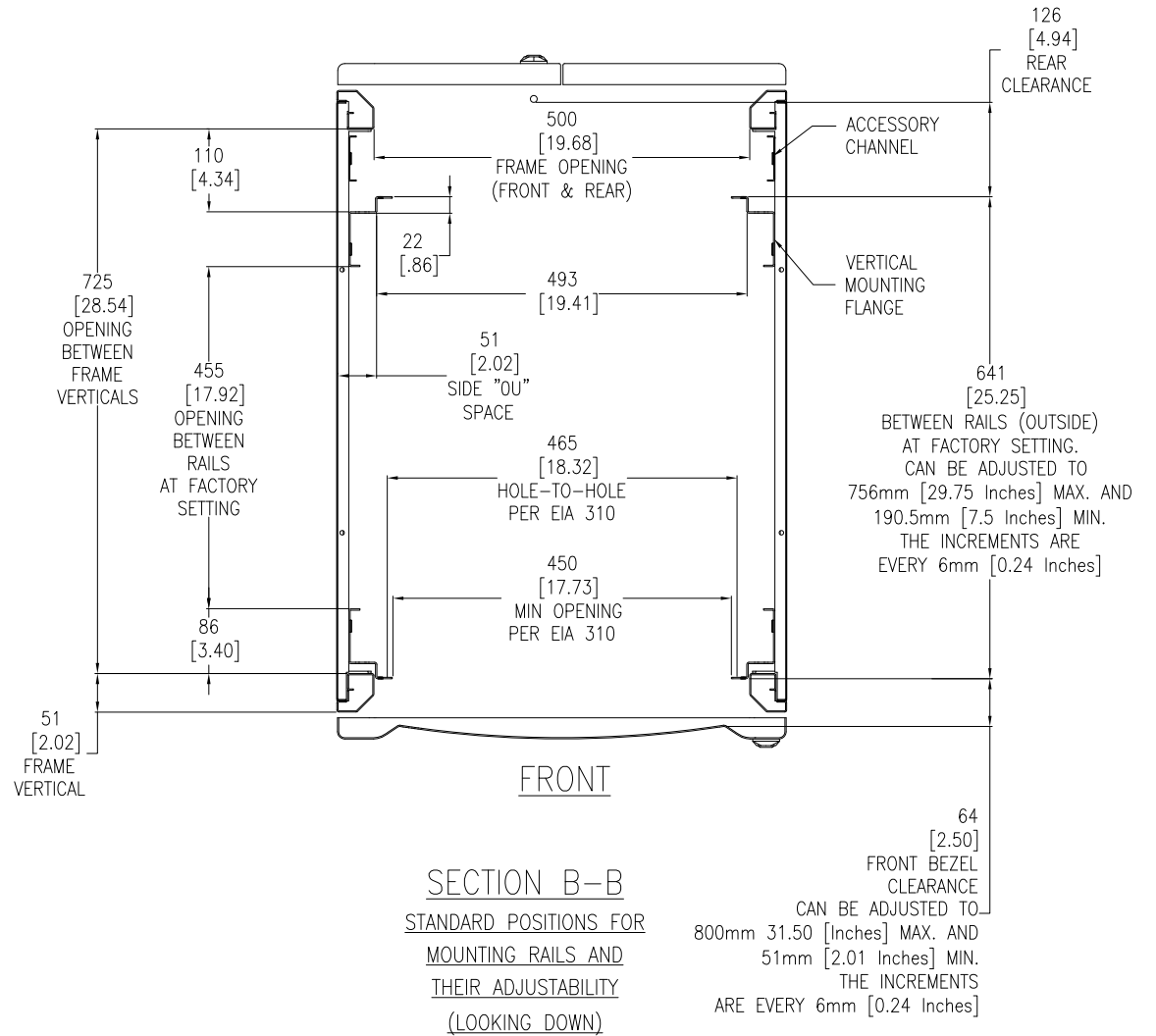
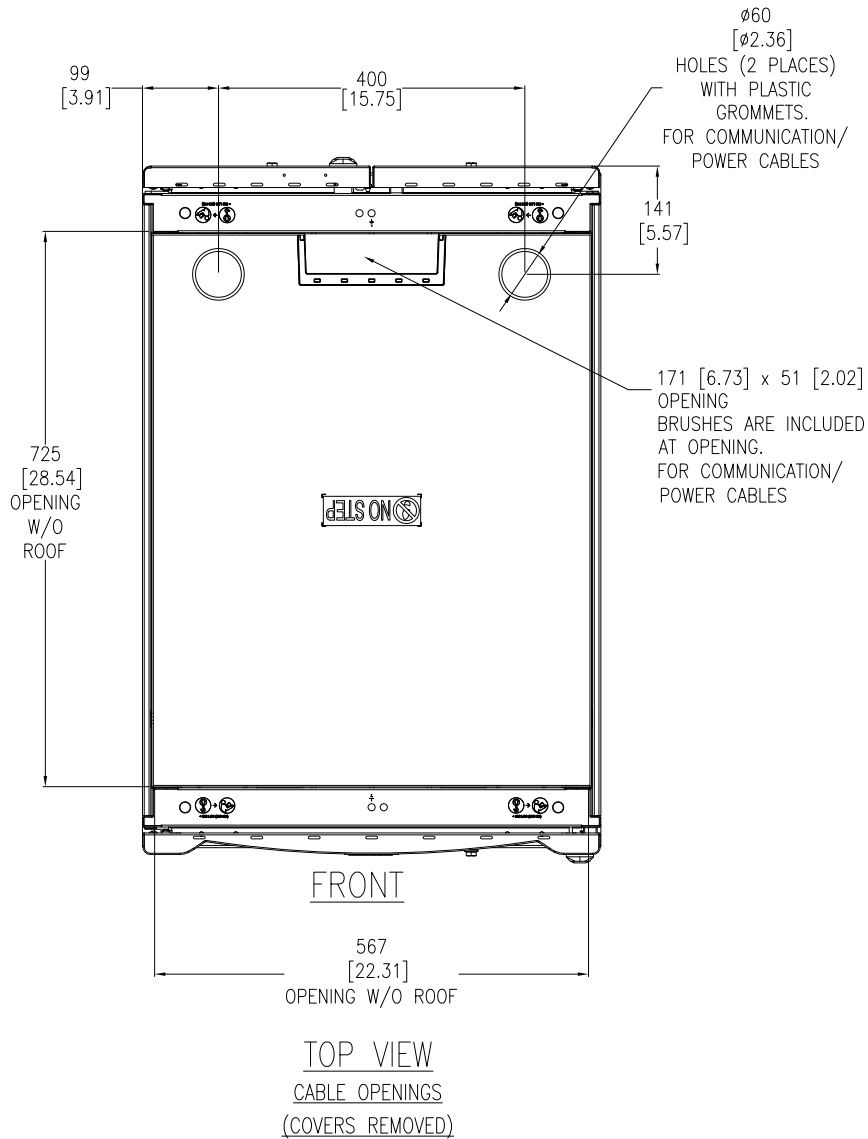


TITLE:
NetShelter SX 12U
600mm WIDE x 900mm DEEP
SERVER RACK ENCLOSURE WITH SIDES
GENERAL ARRANGEMENT

DWG NO: AR3003
DRAWN BY: JAYAPRAKASH
ENGINEER: Jimxin REN

REV: 0
FIRST ANGLE PROJECTION

PROJECT: SUBMITTAL DRAWINGS SHEET 1 OF 3 APPROVED BY: TBD



- NOTES:
1. INSTALLATION SHALL COMPLY WITH ALL APPLICABLE NATIONAL, STATE AND LOCAL ELECTRICAL REGULATIONS.
 2. REFER TO PRODUCT DOCUMENTATION FOR ADDITIONAL DETAILS PRIOR TO INSTALLATION AND SITE PREPARATION WORK.
 3. ALL DIMENSIONS ARE IN MILLIMETERS [INCHES].

THIS DRAWING AND SPECIFICATIONS HEREIN ARE THE PROPERTY OF SCHNEIDER ELECTRIC AND SHALL NOT BE COPIED, REPRODUCED OR USED IN WHOLE OR IN PART, AS THE BASIS FOR THE MANUFACTURE OR SALE OF ITEMS WITHOUT WRITTEN PERMISSION FROM SCHNEIDER ELECTRIC. THIS DRAWING IS BASED UPON LATEST AVAILABLE INFORMATION AND IS SUBJECT TO CHANGE WITHOUT NOTICE.

Schneider Electric

TITLE: NetShelter SX 12U
 600mm WIDE x 900mm DEEP
 SERVER RACK ENCLOSURE WITH SIDES
 TOP VIEW & SECTION VIEW

PROJECT: SUBMITTAL DRAWINGS SHEET 2 OF 3

DWG NO: AR3003

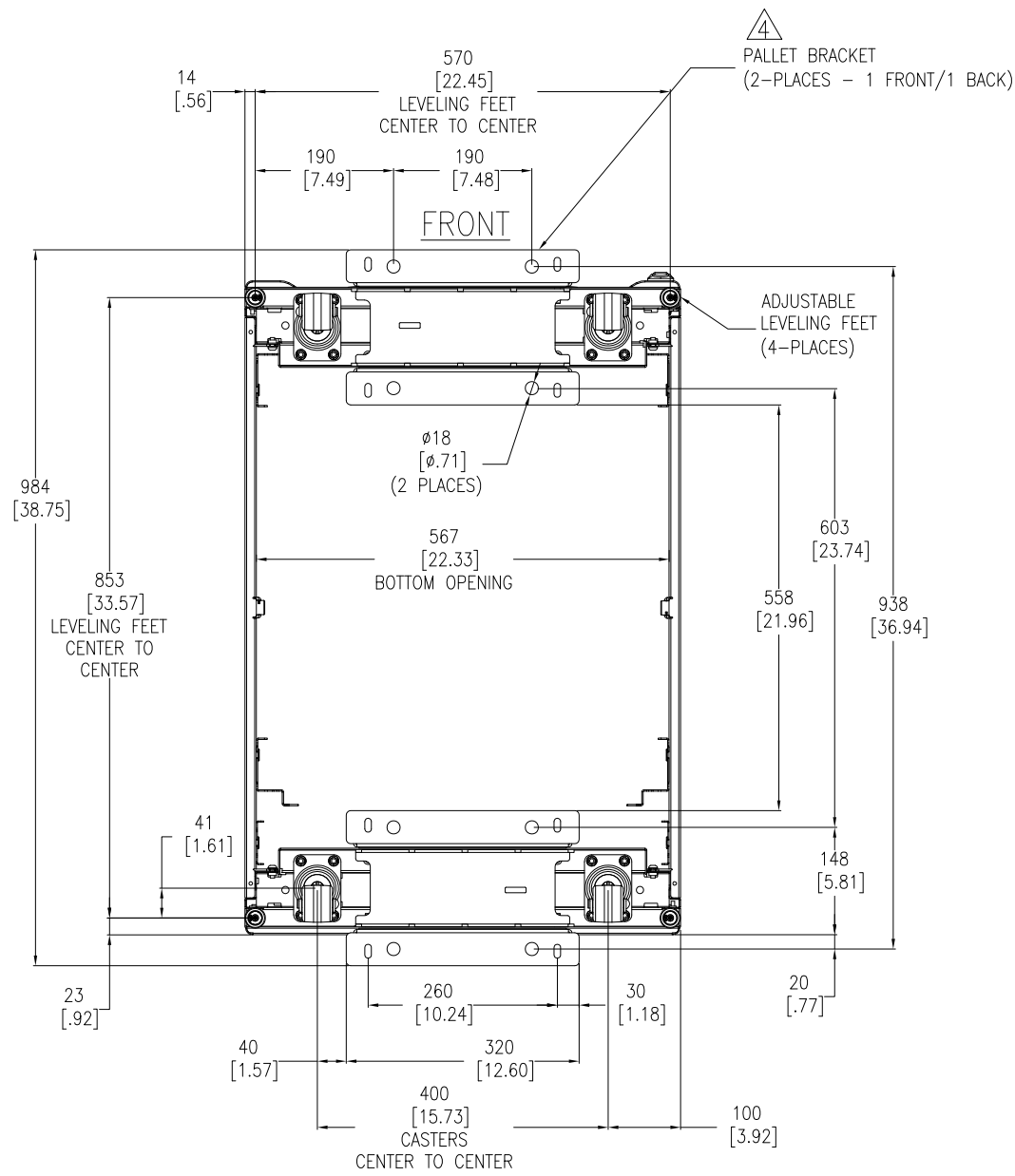
DRAWN BY: JAYAPRAKASH 17-MAY-19

ENGINEER: Jinxin REN 20-MAY-19

APPROVED BY: TBD 20-MAY-19

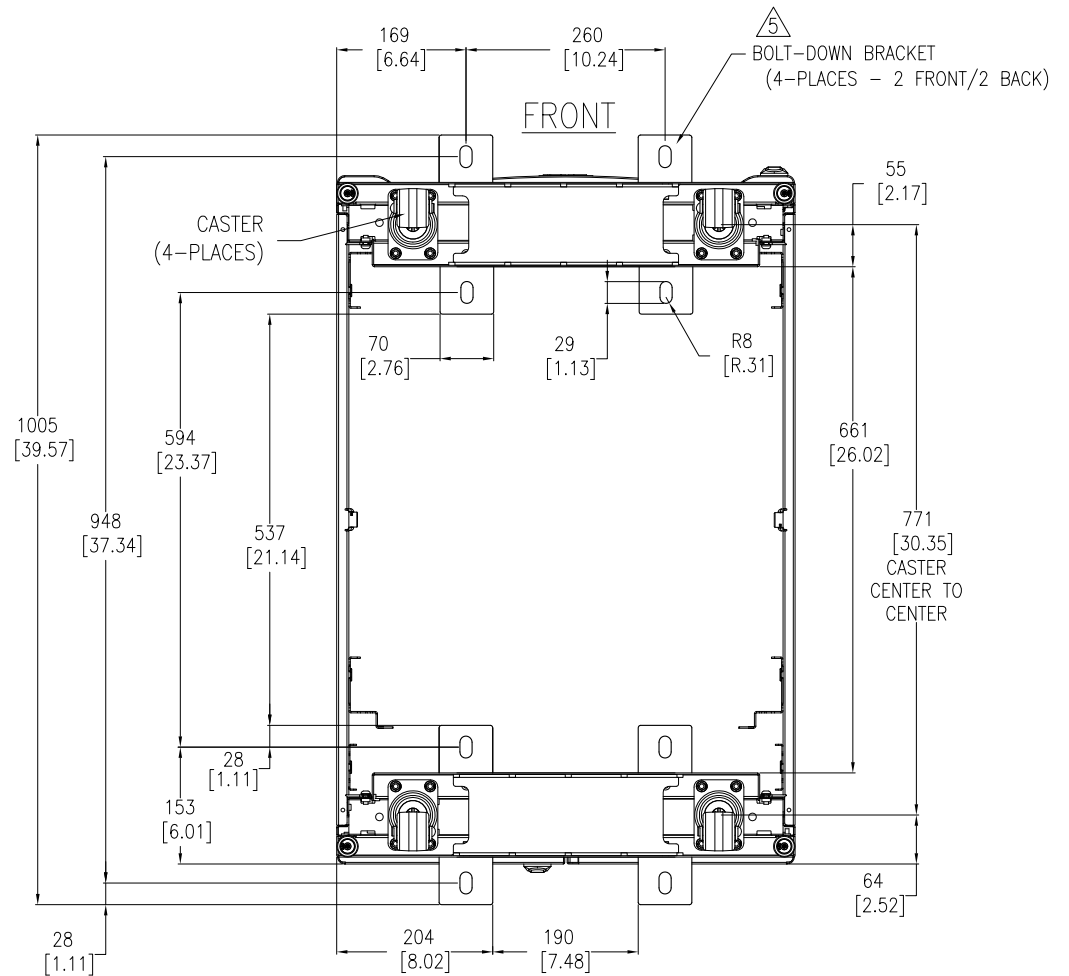
REV. 0

FIRST ANGLE PROJECTION



BOTTOM VIEW

(WITH PALLET BRACKETS, CAN BE USED FOR ANCHORING)
TOP ROOF NOT SHOWN



BOTTOM VIEW

(WITH OPTIONAL BOLT-DOWN BRACKETS FOR ANCHORING)
TOP ROOF NOT SHOWN

- NOTES:**
1. INSTALLATION SHALL COMPLY WITH ALL APPLICABLE NATIONAL, STATE AND LOCAL ELECTRICAL REGULATIONS.
 2. REFER TO PRODUCT DOCUMENTATION FOR ADDITIONAL DETAILS PRIOR TO INSTALLATION AND SITE PREPARATION WORK.
 3. ALL DIMENSIONS ARE IN MILLIMETERS [INCHES].
 - △4. ANCHORING CAN BE INSTALLED EITHER INSIDE OR OUTSIDE THE NetShelter WITH ONE AT FRONT AND ONE IN BACK.
 - △5. BOLT-DOWN KIT (SKU# AR7701) IS OPTIONAL AND HAS TO BE ORDERED SEPARATELY.

THIS DRAWING AND SPECIFICATIONS HEREIN ARE THE PROPERTY OF SCHNEIDER ELECTRIC AND SHALL NOT BE COPIED, REPRODUCED OR USED IN WHOLE OR IN PART, AS THE BASIS FOR THE MANUFACTURE OR SALE OF ITEMS WITHOUT WRITTEN PERMISSION FROM SCHNEIDER ELECTRIC. THIS DRAWING IS BASED UPON LATEST AVAILABLE INFORMATION AND IS SUBJECT TO CHANGE WITHOUT NOTICE.



TITLE: NetShelter SX 12U
600mm WIDE x 900mm DEEP
SERVER RACK ENCLOSURE WITH SIDES
BOTTOM VIEWS & ANCHORING DETAILS

DWG NO:	AR3003	REV:	0
DRAWN BY:	JAYAPRAKASH	17-MAY-19	FIRST ANGLE PROJECTION
ENGINEER:	Jinxin REN	20-MAY-19	
APPROVED BY:	TBD	20-MAY-19	

PROJECT: SUBMITTAL DRAWINGS SHEET 3 OF 3