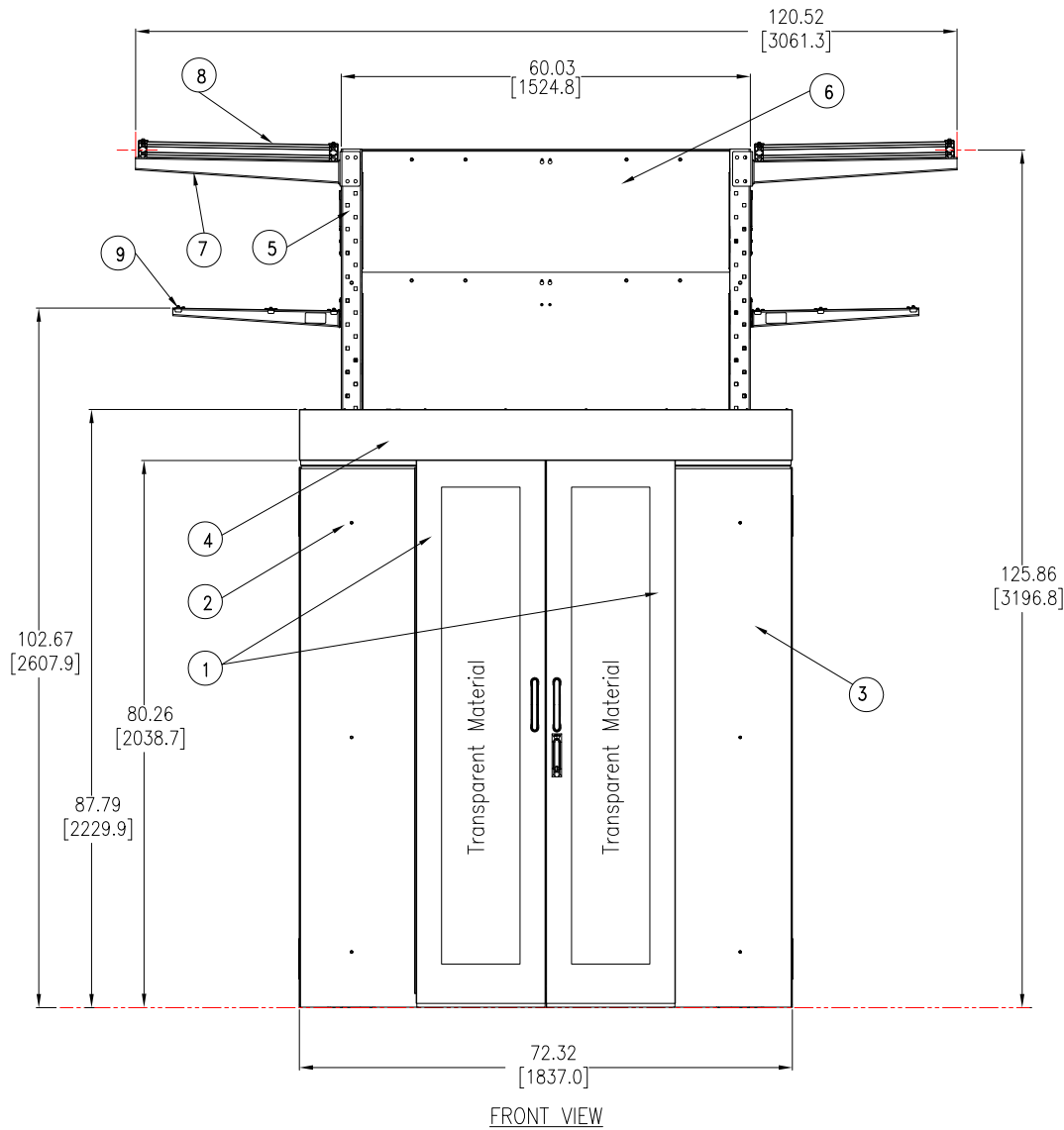


HYPERPOD SYSTEM
TALL FRAME, SINGLE POD, SIMPLE ROOF, SLIDING DOOR
WITHOUT RACK AND POWER DISTRIBUTION CABINETS



Sl.No.	Description
1	Sliding Door (Shown in closed position)
2	Sliding Support (left)
3	Sliding Support (Right)
4	Header
5	Vertical Post
6	Aisle-End Cap Assembly
7	Large Cantilever (optional)
8	Overhead support frame
9	Mini Cantilever (optional)
10	Simple roof
11	Cross over tray
12	Stop rail (bottom)
13	Window Rail assembly
14	Brush
15	Height Adaptor

NOTES:

1. INSTALLATION SHALL COMPLY WITH ALL APPLICABLE NATIONAL, STATE AND LOCAL CODES.
2. REFER TO PRODUCT DOCUMENTATION FOR ADDITIONAL DETAILS PRIOR TO INSTALLATION AND SITE PREPARATION WORK.
3. ALL DIMENSIONS ARE IN INCHES [MILLIMETERS].
4. REFER TO THE RESPECTIVE SUBMITTALS FOR THE COMPONENT DETAILS.

THIS DRAWING AND SPECIFICATIONS HEREIN ARE THE PROPERTY OF SCHNEIDER ELECTRIC AND SHALL NOT BE COPIED, REPRODUCED OR USED IN WHOLE OR IN PART, AS THE BASIS FOR THE MANUFACTURE OR SALE OF ITEMS WITHOUT WRITTEN PERMISSION FROM SCHNEIDER ELECTRIC. THIS DRAWING IS BASED UPON LATEST AVAILABLE INFORMATION AND IS SUBJECT TO CHANGE WITHOUT NOTICE.

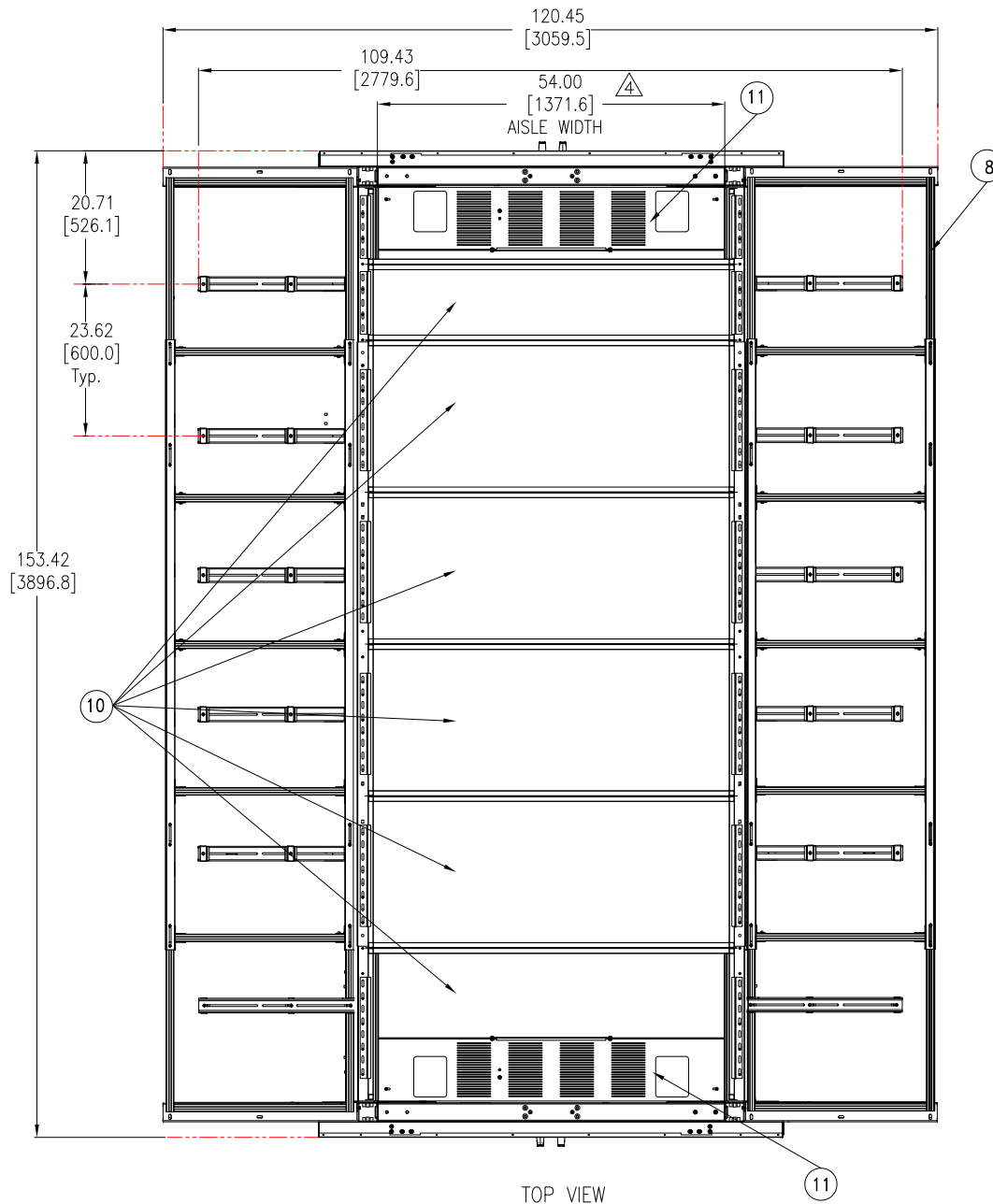
Schneider Electric

TITLE: HyperPod
Tall Frame, Single Pod, Simple roof, 4' Aisle
Sliding Door without Rack & Distribution Cabinets
ASSEMBLY-FRONT VIEW

PROJECT: SUBMITTAL DRAWING **SHEET 1 OF 3**

DWG NO: TFSPSRSDWORD4F **REV.** 0

DRAWN BY: JAYAPRAKASH	10-SEP-18	THIRD
ENGINEER: TONG XU	13-SEP-18	ANGLE
APPROVED BY: AARON COTTER	13-SEP-18	PROJECTION



△ 4

Aisle Width	
Feet	inch [mm]
3	36.0 [914.4]
4	54.0 [1371.6]
5	60.0 [1524.0]
6	78.0 [1981.2]

TOP VIEW

NOTES:

1. INSTALLATION SHALL COMPLY WITH ALL APPLICABLE NATIONAL, STATE AND LOCAL CODES.
2. REFER TO PRODUCT DOCUMENTATION FOR ADDITIONAL DETAILS PRIOR TO INSTALLATION AND SITE PREPARATION WORK.
3. ALL DIMENSIONS ARE IN INCHES [MILLIMETERS].
- △ 4. AISLE DIMENSION MAY VARY AS PER THE REQUIREMENT. REFER TO TABLE FOR CONFIGURATIONS.

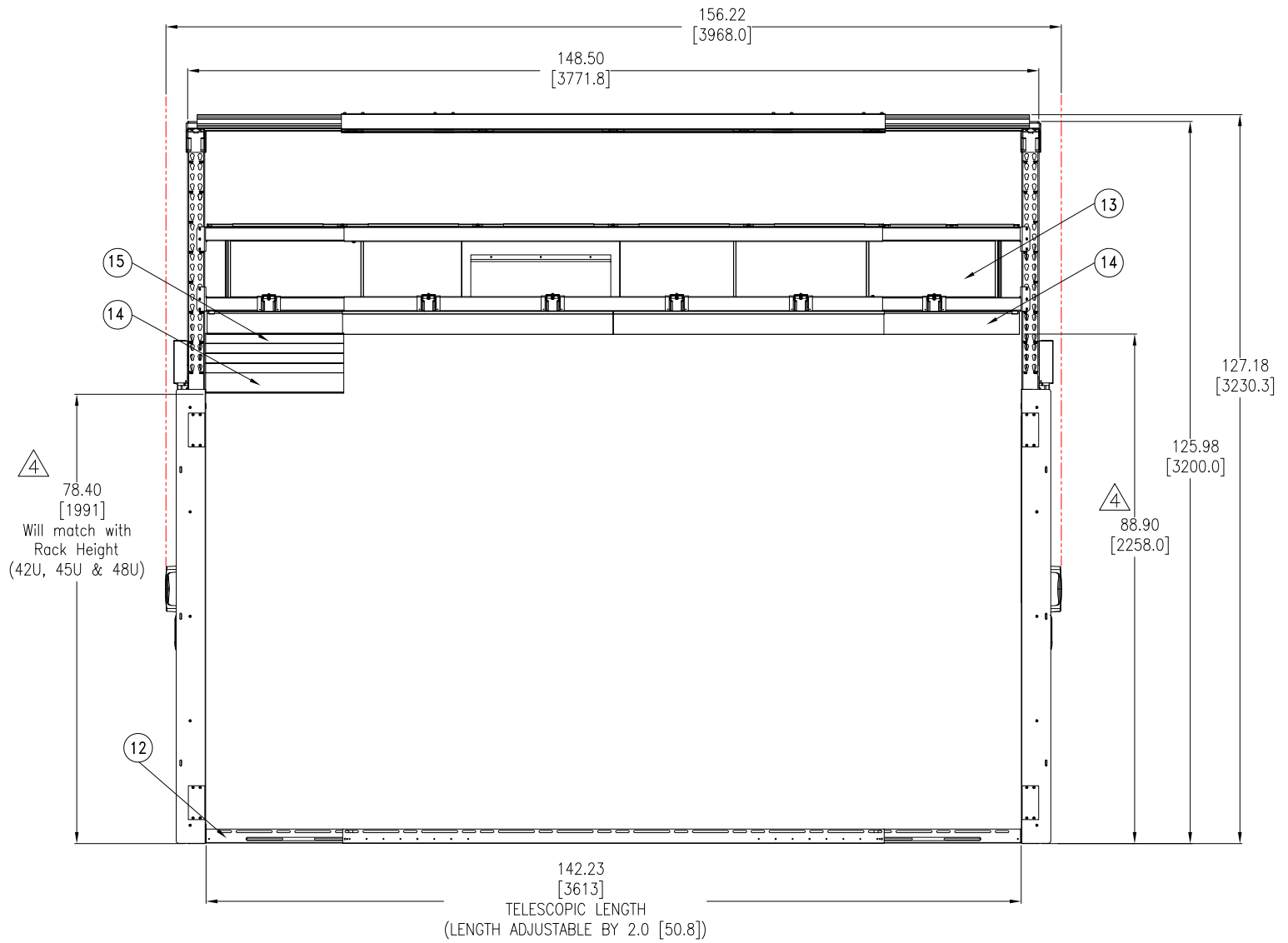
THIS DRAWING AND SPECIFICATIONS HEREIN ARE THE PROPERTY OF SCHNEIDER ELECTRIC AND SHALL NOT BE COPIED, REPRODUCED OR USED IN WHOLE OR IN PART, AS THE BASIS FOR THE MANUFACTURE OR SALE OF ITEMS WITHOUT WRITTEN PERMISSION FROM SCHNEIDER ELECTRIC. THIS DRAWING IS BASED UPON LATEST AVAILABLE INFORMATION AND IS SUBJECT TO CHANGE WITHOUT NOTICE.



TITLE: HyperPod
Tall Frame, Single Pod, Simple roof, 4' Aisle
Sliding Door without Rack & Distribution Cabinets
ASSEMBLY-TOP VIEW

PROJECT: SUBMITTAL DRAWING SHEET 2 OF 3

DWG NO:	TFSPSRSDWORD4F	REV.	0
DRAWN BY:	JAYAPRAKASH	10-SEP-18	THIRD
ENGINEER:	TONG XU	13-SEP-18	ANGLE
APPROVED BY:	AARON COTTER	13-SEP-18	PROJECTION



RIGHT SIDE VIEW

△4

Rack Height	
U	inch [mm]
42U	78.40 [1991]
45U	83.64 [2124]
48U	88.90 [2258]

NOTES:

1. INSTALLATION SHALL COMPLY WITH ALL APPLICABLE NATIONAL, STATE AND LOCAL CODES.
2. REFER TO PRODUCT DOCUMENTATION FOR ADDITIONAL DETAILS PRIOR TO INSTALLATION AND SITE PREPARATION WORK.
3. ALL DIMENSIONS ARE IN INCHES [MILLIMETERS].
- △4. RACK HEIGHT MAY VARY AS PER REQUIREMENT. TALL FRAME CAN ACCOMODATE UP TO 52U. REFER TO TABLE FOR DETAILS.

THIS DRAWING AND SPECIFICATIONS HEREIN ARE THE PROPERTY OF SCHNEIDER ELECTRIC AND SHALL NOT BE COPIED, REPRODUCED OR USED IN WHOLE OR IN PART, AS THE BASIS FOR THE MANUFACTURE OR SALE OF ITEMS WITHOUT WRITTEN PERMISSION FROM SCHNEIDER ELECTRIC. THIS DRAWING IS BASED UPON LATEST AVAILABLE INFORMATION AND IS SUBJECT TO CHANGE WITHOUT NOTICE.



TITLE: HyperPod
Tall Frame, Single Pod, Simple roof, 4' Aisle
Sliding Door without Rack & Distribution Cabinets
ASSEMBLY-RIGHT SIDE VIEW

PROJECT: SUBMITTAL DRAWING SHEET 3 OF 3

DWG NO: TFSPSRSDWORD4F REV. 0

DRAWN BY: JAYAPRAKASH 10-SEP-18 THIRD

ENGINEER: TONG XU 13-SEP-18 ANGLE

APPROVED BY: AARON COTTER 13-SEP-18 PROJECTION