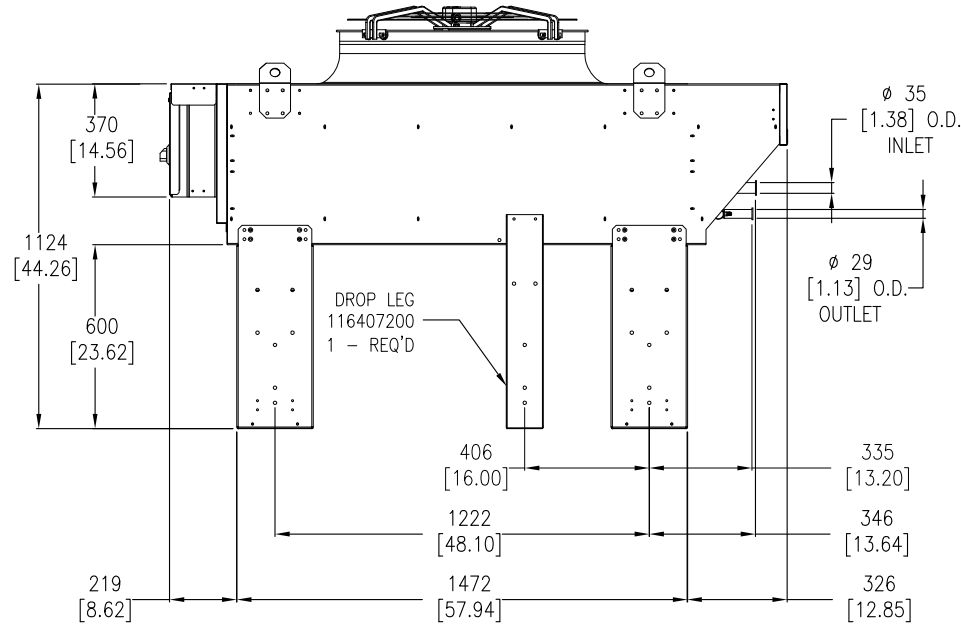
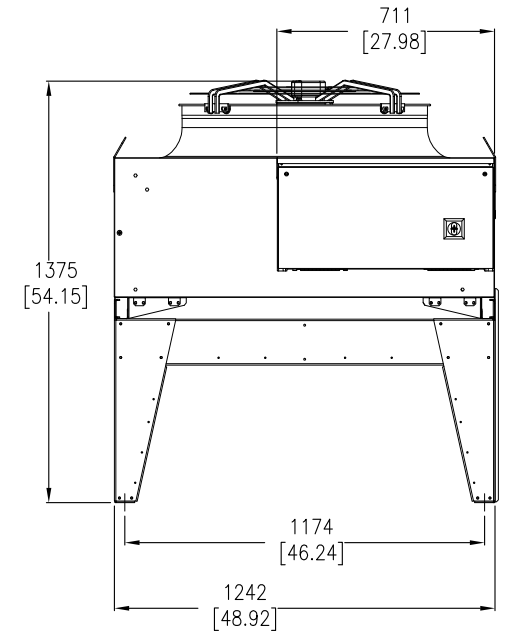


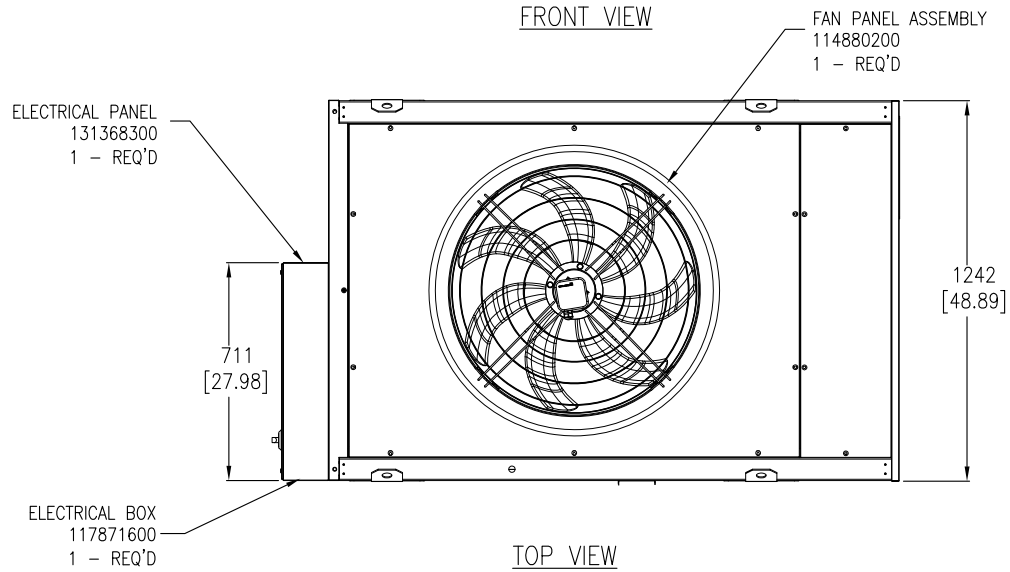
RIGHT SIDE VIEW



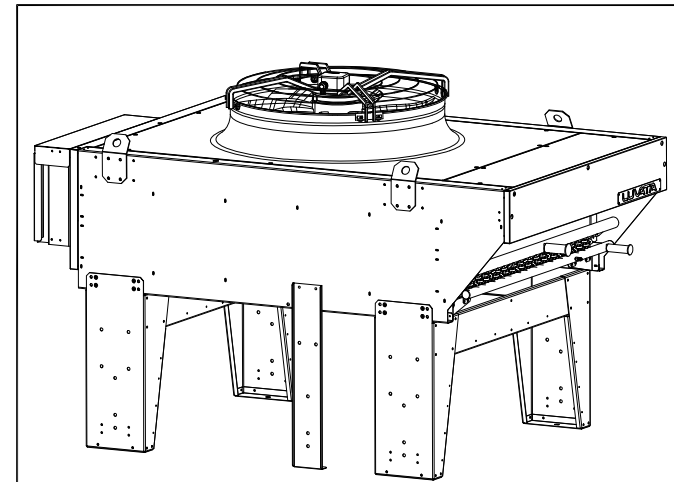
FRONT VIEW



LEFT SIDE VIEW



TOP VIEW



ISOMETRIC VIEW

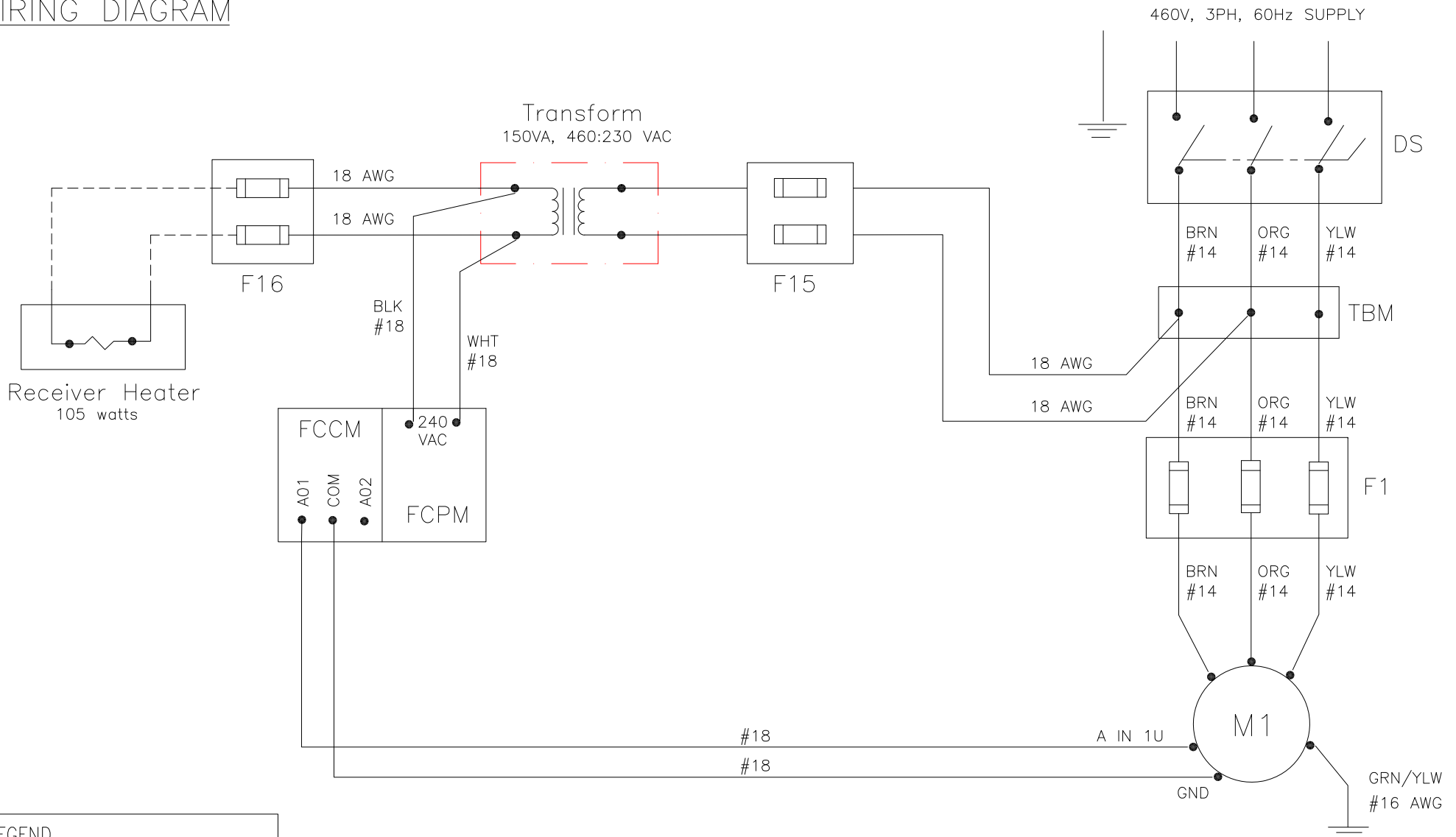
- NOTES:
1. INSTALLATION SHALL COMPLY WITH ALL APPLICABLE NATIONAL, STATE AND LOCAL ELECTRICAL REGULATIONS..
 2. REFER TO PRODUCT DOCUMENTATION FOR ADDITIONAL DETAILS PRIOR TO INSTALLATION AND SITE PREPARATION WORK.
 3. UNLESS OTHERWISE SPECIFIED, ALL DIMENSIONS ARE IN MILLIMETERS [INCHES].
 4. NET WEIGHT OF THE UNIT IS 250kg [551 lb].

THIS DRAWING AND SPECIFICATIONS HEREIN ARE THE PROPERTY OF SCHNEIDER ELECTRIC AND SHALL NOT BE COPIED, REPRODUCED OR USED IN WHOLE OR IN PART, AS THE BASIS FOR THE MANUFACTURE OR SALE OF ITEMS WITHOUT WRITTEN PERMISSION FROM SCHNEIDER ELECTRIC. THIS DRAWING IS BASED UPON LATEST AVAILABLE INFORMATION AND IS SUBJECT TO CHANGE WITHOUT NOTICE.



TITLE:	AIR COOLED CONDENSER CONDENSER 1x1 BUILD TO ORDER, 38kW, 95F, 460V, 3PH, 60Hz GENERAL ARRANGEMENT		DWG NO:	ACCD75235	REV:	-
PROJECT:	DRAWINGS	SHEET 1 OF 2	ENGINEER:	JAYAPRAKASH	14-JUN-17	FIRST ANGLE PROJECTION
			APPROVED:	Nick Schweissguth	14-JUN-17	

WIRING DIAGRAM



LEGEND

DS - DISCONNECT SWITCH
 F - FUSE
 M - MOTOR
 TBM - TERMINAL BLOCK, MAIN
 FCCM - FAN CYCLE CONTROL MODULE
 FCPM - FAN CYCLE POWER MODULE

MCA	FLA	MCOP
4	2.9	7

————— SOLID LINES INDICATE FACTORY WIRING
 - - - - - DASHED LINES INDICATE FIELD WIRING

- NOTES:**
- INSTALLATION SHALL COMPLY WITH ALL APPLICABLE NATIONAL, STATE AND LOCAL ELECTRICAL REGULATIONS.
 - REFER TO PRODUCT DOCUMENTATION FOR ADDITIONAL DETAILS PRIOR TO INSTALLATION AND SITE PREPARATION WORK.
 - 230V TERMINALS INCLUDED FOR RECEIVER HEATER.
 - RECEIVER ACAC75014 (1 NUMBER) SHALL BE ORDERED SEPARATELY AND MOUNTED ON SITE.
 - USE 18AWG UNLESS OTHERWISE SPECIFIED.

THIS DRAWING AND SPECIFICATIONS HEREIN ARE THE PROPERTY OF SCHNEIDER ELECTRIC AND SHALL NOT BE COPIED, REPRODUCED OR USED IN WHOLE OR IN PART, AS THE BASIS FOR THE MANUFACTURE OR SALE OF ITEMS WITHOUT WRITTEN PERMISSION FROM SCHNEIDER ELECTRIC. THIS DRAWING IS BASED UPON LATEST AVAILABLE INFORMATION AND IS SUBJECT TO CHANGE WITHOUT NOTICE.



TITLE:	AIR COOLED CONDENSER CONDENSER 1x1 BUILD TO ORDER, 38kW, 95F, 460V, 3PH, 60Hz WIRING DIAGRAM		DWG NO:	ACCD75235	REV.	-
PROJECT:	DRAWINGS	SHEET 2 OF 2	DRAWN:	JAYAPRAKASH	14-JUN-17	ANGLE PROJECTION
			ENGINEER:	Nick Schweissguth	14-JUN-17	N/A
			APPROVED:	Nick Schweissguth	14-JUN-17	