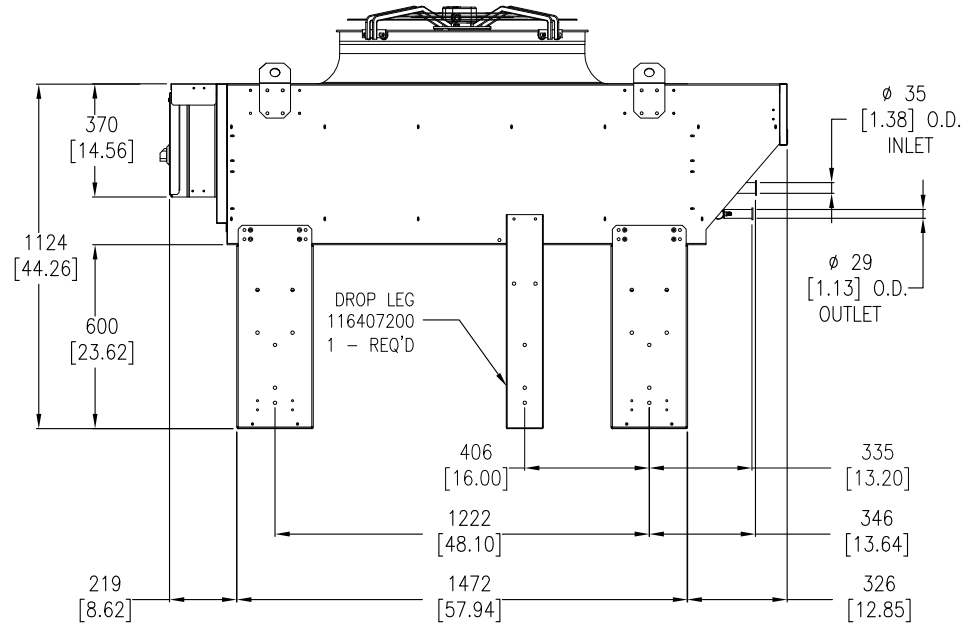
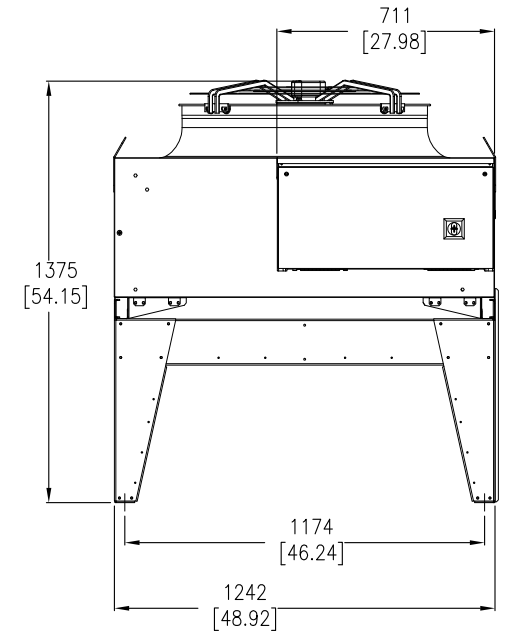


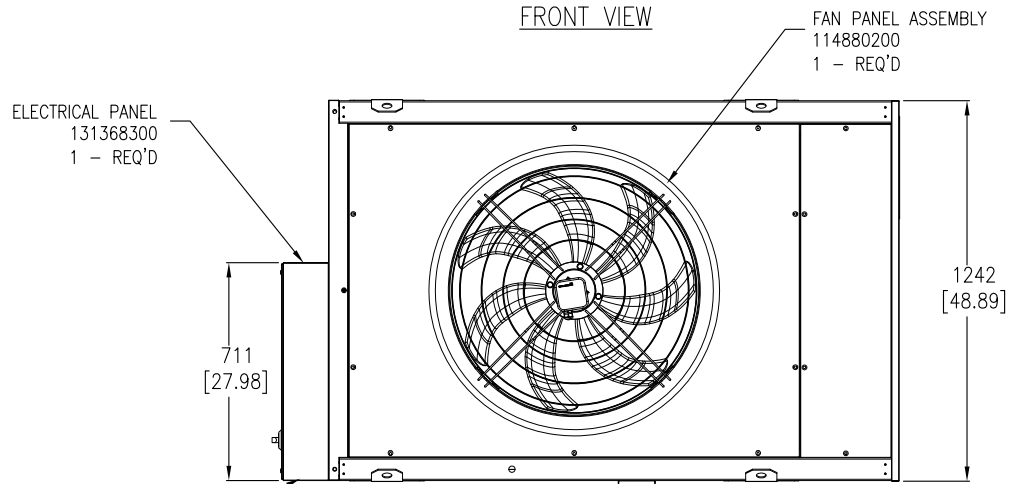
RIGHT SIDE VIEW



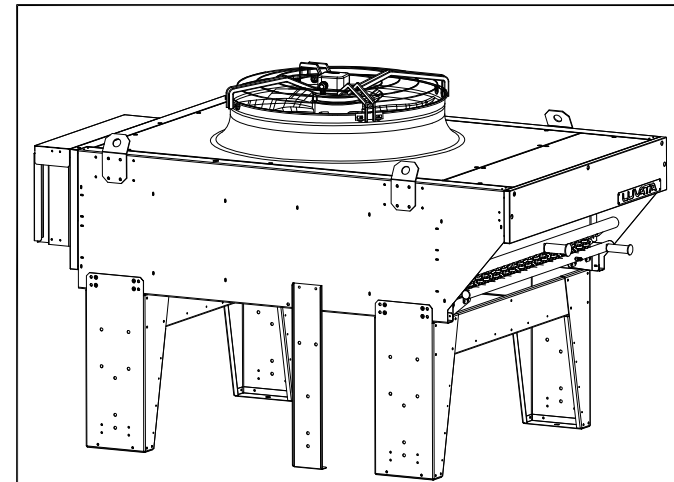
FRONT VIEW



LEFT SIDE VIEW



TOP VIEW



ISOMETRIC VIEW

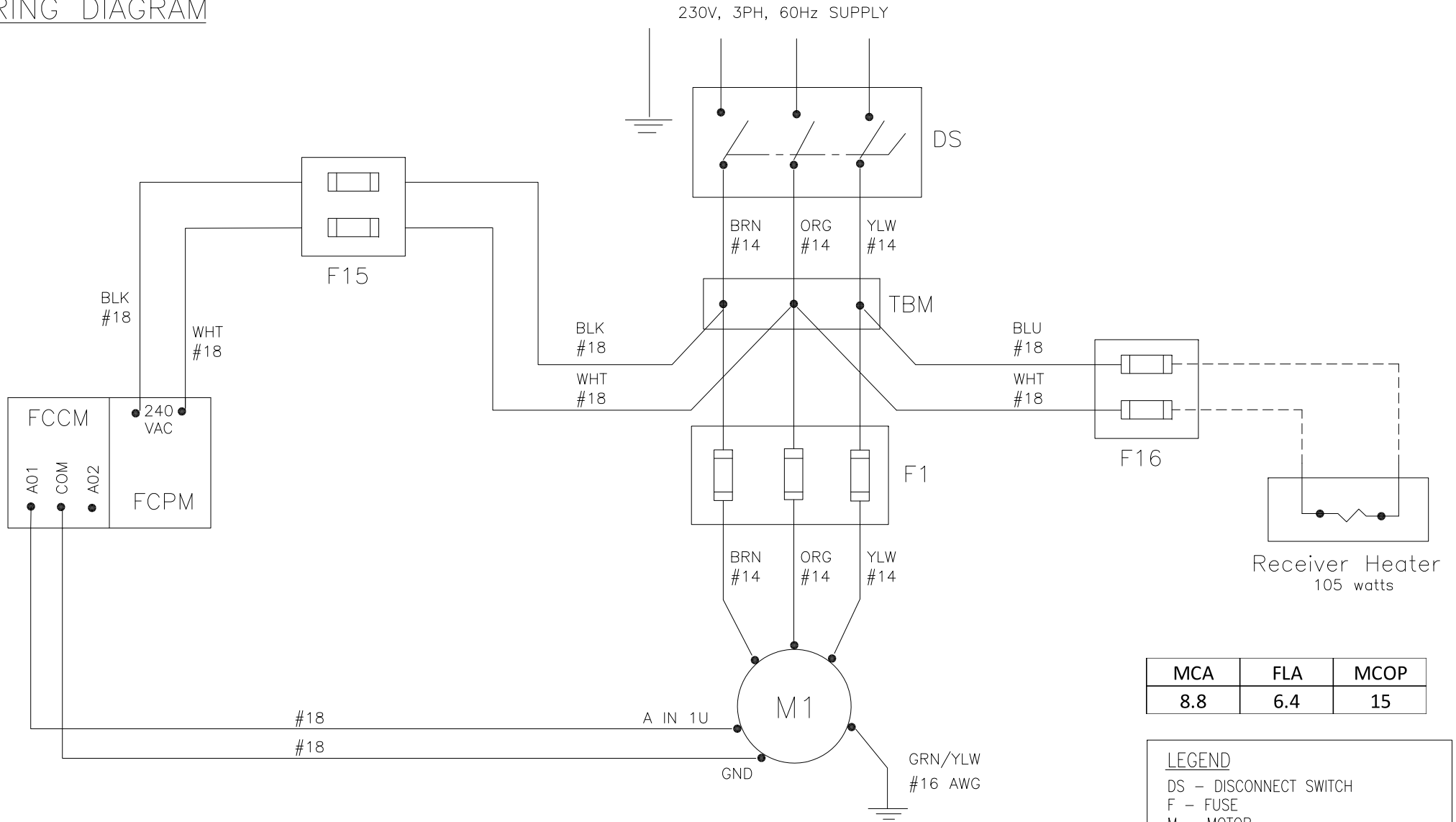
- NOTES:
1. INSTALLATION SHALL COMPLY WITH ALL APPLICABLE NATIONAL, STATE AND LOCAL ELECTRICAL REGULATIONS..
 2. REFER TO PRODUCT DOCUMENTATION FOR ADDITIONAL DETAILS PRIOR TO INSTALLATION AND SITE PREPARATION WORK.
 3. UNLESS OTHERWISE SPECIFIED, ALL DIMENSIONS ARE IN MILLIMETERS [INCHES].
 4. NET WEIGHT OF THE UNIT IS 250kg [551 lb].

THIS DRAWING AND SPECIFICATIONS HEREIN ARE THE PROPERTY OF SCHNEIDER ELECTRIC AND SHALL NOT BE COPIED, REPRODUCED OR USED IN WHOLE OR IN PART, AS THE BASIS FOR THE MANUFACTURE OR SALE OF ITEMS WITHOUT WRITTEN PERMISSION FROM SCHNEIDER ELECTRIC. THIS DRAWING IS BASED UPON LATEST AVAILABLE INFORMATION AND IS SUBJECT TO CHANGE WITHOUT NOTICE.



| | | | | |
|--|--|-----------------------------|-----------|------------------------|
| TITLE: | | DWG NO: ACCD75234 | | REV: - |
| AIR COOLED CONDENSER CONDENSER 1x1 BUILT TO ORDER, 38KW, 95F, 208-230V, 3PH, 60Hz GENERAL ARRANGEMENT | | DRAWN: JAYAPRAKASH | 14-JUN-17 | FIRST ANGLE PROJECTION |
| PROJECT: DRAWINGS SHEET 1 OF 2 | | ENGINEER: Nick Schweissguth | 14-JUN-17 | |
| | | APPROVED: Nick Schweissguth | 14-JUN-17 | |

WIRING DIAGRAM



| MCA | FLA | MCOP |
|-----|-----|------|
| 8.8 | 6.4 | 15 |

LEGEND
 DS – DISCONNECT SWITCH
 F – FUSE
 M – MOTOR
 TBM – TERMINAL BLOCK, MAIN
 FCCM – FAN CYCLE CONTROL MODULE
 FCPM – FAN CYCLE POWER MODULE

————— SOLID LINES INDICATE FACTORY WIRING
 - - - - - DASHED LINES INDICATE FIELD WIRING

- NOTES:**
1. INSTALLATION SHALL COMPLY WITH ALL APPLICABLE NATIONAL, STATE AND LOCAL ELECTRICAL REGULATIONS.
 2. REFER TO PRODUCT DOCUMENTATION FOR ADDITIONAL DETAILS PRIOR TO INSTALLATION AND SITE PREPARATION WORK.
 3. 230V TERMINALS INCLUDED FOR RECEIVER HEATER.
 4. RECEIVER ACAC75014 (1 NUMBER) SHALL BE ORDERED SEPARATELY AND MOUNTED ON SITE.
 5. USE 18AWG UNLESS OTHERWISE SPECIFIED.

THIS DRAWING AND SPECIFICATIONS HEREIN ARE THE PROPERTY OF SCHNEIDER ELECTRIC AND SHALL NOT BE COPIED, REPRODUCED OR USED IN WHOLE OR IN PART, AS THE BASIS FOR THE MANUFACTURE OR SALE OF ITEMS WITHOUT WRITTEN PERMISSION FROM SCHNEIDER ELECTRIC. THIS DRAWING IS BASED UPON LATEST AVAILABLE INFORMATION AND IS SUBJECT TO CHANGE WITHOUT NOTICE.



TITLE:
 AIR COOLED CONDENSER
 CONDENSER 1x1 BUILD TO ORDER,
 38KW, 95F, 208-230V, 3PH, 60Hz
 WIRING DIAGRAM
 PROJECT: DRAWINGS SHEET 2 OF 2

DWG NO: ACCD75234
 DRAWN: JAYAPRAKASH 14-JUN-17
 ENGINEER: Nick Schweissguth 14-JUN-17
 APPROVED: Nick Schweissguth 14-JUN-17

REV: -
 ANGLE PROJECTION: N/A