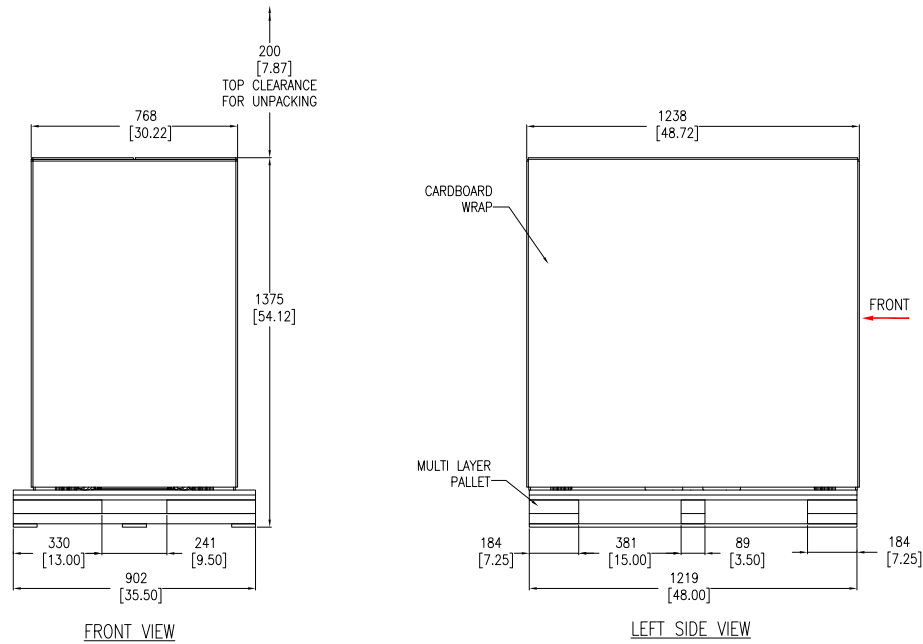
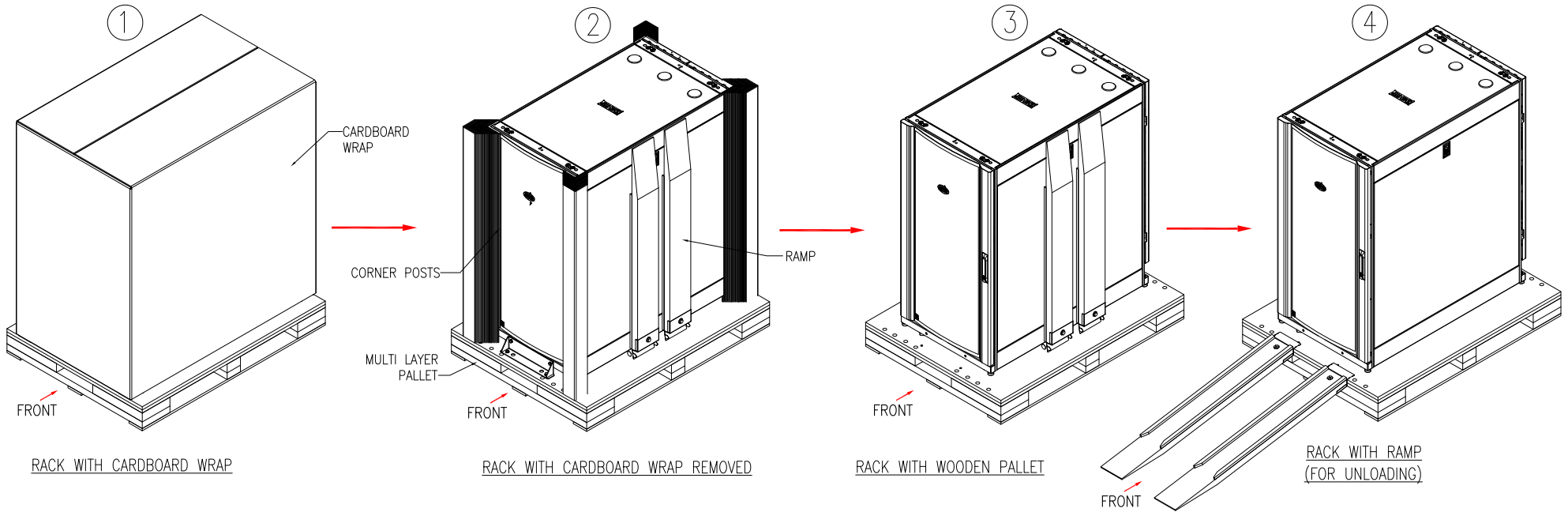


# PACKING DETAILS



# UNPACKING AND UNLOADING STEPS



**NOTES:**

1. INSTALLATION SHALL COMPLY WITH ALL APPLICABLE NATIONAL, STATE AND LOCAL CODES.
2. REFER TO PRODUCT DOCUMENTATION FOR ADDITIONAL DETAILS PRIOR TO INSTALLATION AND SITE PREPARATION WORK.
3. ALL DIMENSIONS ARE IN MILLIMETERS [INCHES].

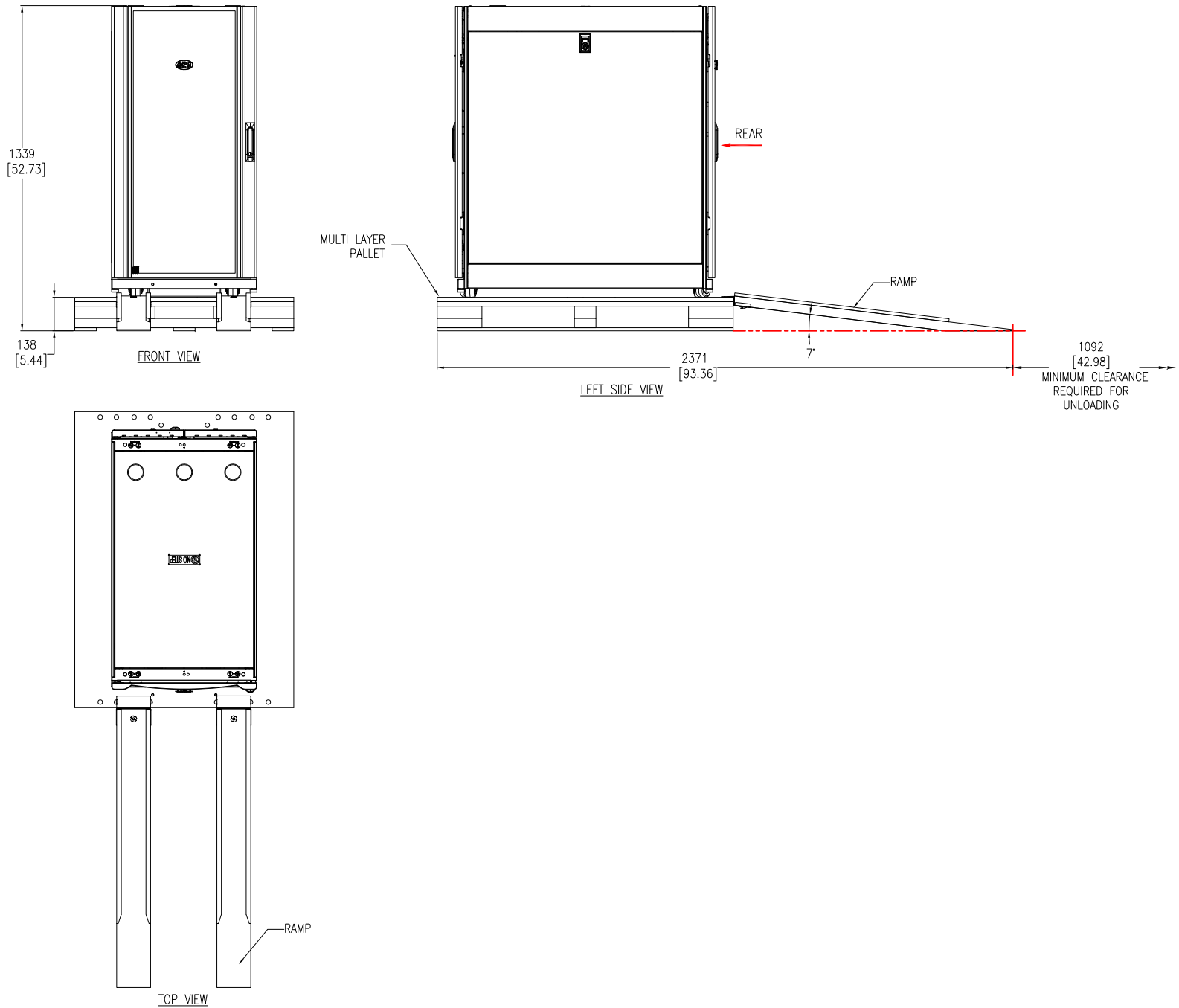
THIS DRAWING AND SPECIFICATIONS HEREIN ARE THE PROPERTY OF SCHNEIDER ELECTRIC AND SHALL NOT BE COPIED, REPRODUCED OR USED IN WHOLE OR IN PART, AS THE BASIS FOR THE MANUFACTURE OR SALE OF ITEMS WITHOUT WRITTEN PERMISSION FROM SCHNEIDER ELECTRIC. THIS DRAWING IS BASED UPON LATEST AVAILABLE INFORMATION AND IS SUBJECT TO CHANGE WITHOUT NOTICE.



TITLE: MICRO DC 24U SX  
3KVA, 120V  
SHOCK PACKAGING & UNLOADING DETAILS  
PROJECT: SUBMITTAL DRAWINGS SHEET 1 OF 6

DWG NO: MDC24SX3KVAT  
DRAWN BY: JAYAPRAKASH 08-MAY-17  
ENGINEER: G IVEY 11-MAY-17  
APPROVED BY: T HORSTMANN 11-MAY-17

REV. FIRST ANGLE PROJECTION



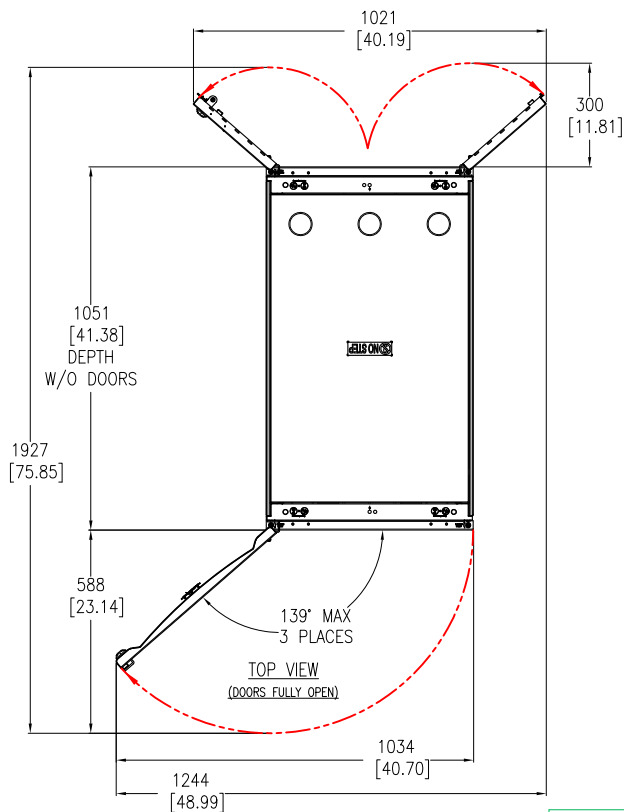
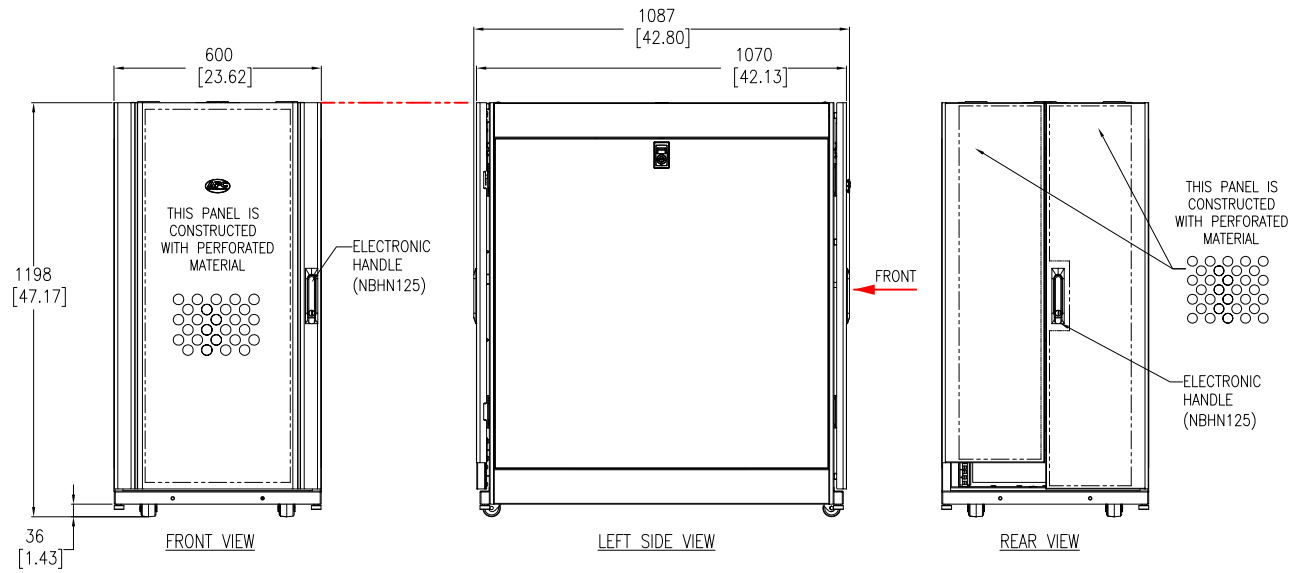
**NOTES:**

1. INSTALLATION SHALL COMPLY WITH ALL APPLICABLE NATIONAL, STATE AND LOCAL CODES.
2. REFER TO PRODUCT DOCUMENTATION FOR ADDITIONAL DETAILS PRIOR TO INSTALLATION AND SITE PREPARATION WORK.
3. ALL DIMENSIONS ARE IN MILLIMETERS [INCHES].

THIS DRAWING AND SPECIFICATIONS HEREIN ARE THE PROPERTY OF SCHNEIDER ELECTRIC AND SHALL NOT BE COPIED, REPRODUCED OR USED IN WHOLE OR IN PART, AS THE BASIS FOR THE MANUFACTURE OR SALE OF ITEMS WITHOUT WRITTEN PERMISSION FROM SCHNEIDER ELECTRIC. THIS DRAWING IS BASED UPON LATEST AVAILABLE INFORMATION AND IS SUBJECT TO CHANGE WITHOUT NOTICE.



TITLE: MICRO DC 24U SX 3kVA, 120V UNLOADING DETAILS		DWG NO: MDC24SX3KVAT	REV.
DRAWN BY: JAYAPRAKASH		08-MAY-17	FIRST
ENGINEER: G IVEY		11-MAY-17	ANGLE
PROJECT: SUBMITTAL DRAWINGS SHEET 2 OF 6		APPROVED BY: T HORSTMANN	11-MAY-17
			PROJECTION



Sl.No	Part Number	Description	Quantity	Configuration
1	NBHN125	NetBotz 125 kHz Handle Kit	1	Installed
2	NBRK0250	NetBotz Rack Monitor 250	1	Installed
3	NBES0303	NetBotz Door Switch Sensors (2) for an APC Rack - 12 ft.	1	Installed
4	AP9891	Power Cord Kit (5 ea), C13 to 5-15P, 0.6m	1	Accessory Box
5	AR8136BLK	APC 1U 19" Black Modular Toolless Blanking Panel - Qty 10	1	Accessory Box
6	AR8429	Horizontal Cable Organizer 1U w/brush strip	1	Installed
7	AP7902B	Rack PDU, Switched, 2U, 30A, 120V, (16)5-20	2	Installed
8	SMX3000RMLV2UNC	APC Smart-UPS X 3000VA Rack/Tower LCD 100-127V with Network Card	2	Installed
9	AR3104SP1	NetShelter SX 24U 600mm Wide x 1070mm Deep Enclosure - 1250 lbs. Shock Packaging	1	Installed

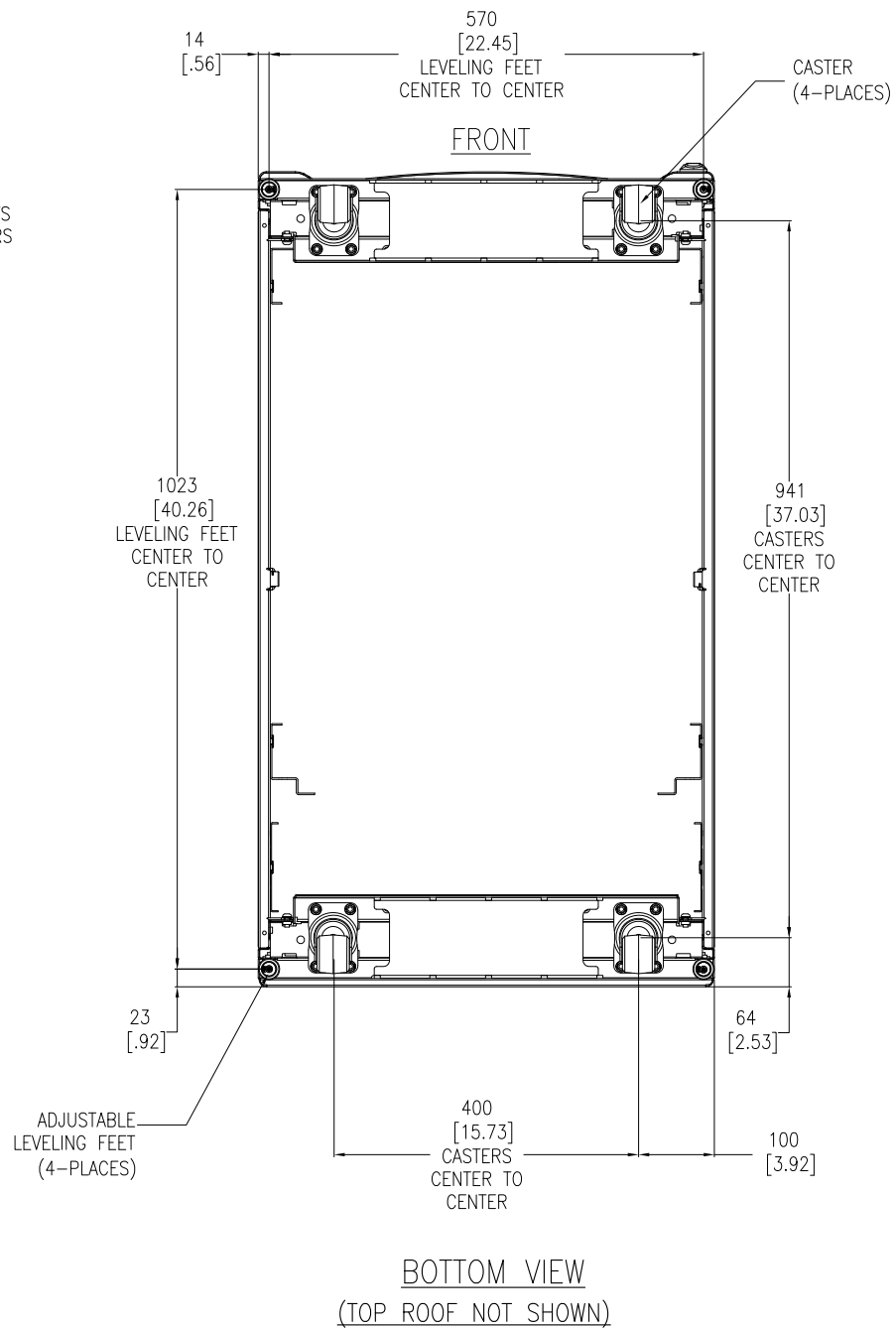
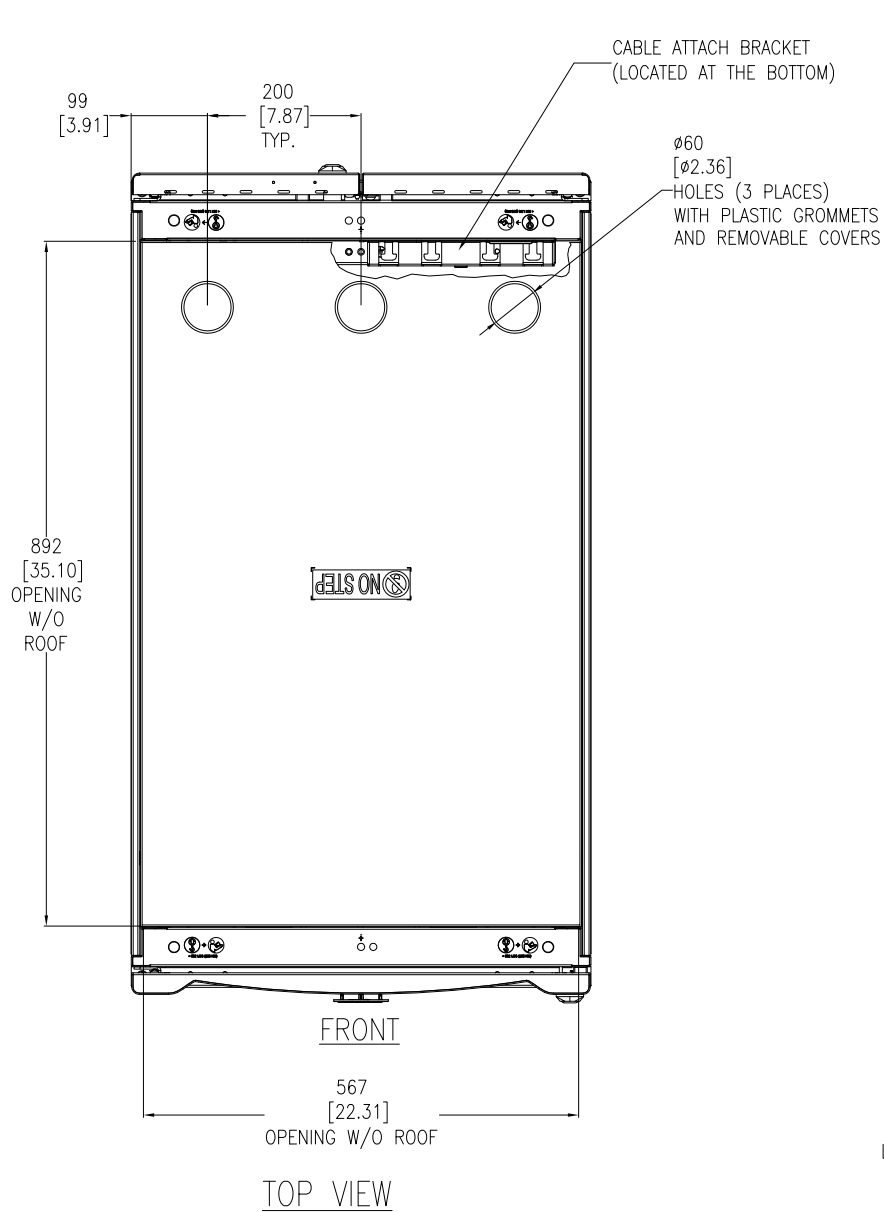
**NOTES:**

1. INSTALLATION SHALL COMPLY WITH ALL APPLICABLE NATIONAL, STATE AND LOCAL CODES.
2. REFER TO PRODUCT DOCUMENTATION FOR ADDITIONAL DETAILS PRIOR TO INSTALLATION AND SITE PREPARATION WORK.
3. ALL DIMENSIONS ARE IN MILLIMETERS [INCHES].
4. NET WEIGHT OF UNIT WITHOUT UPS AND ACCESSORIES IS 89.09Kg [196 lb].
5. CABLE ENTRY IS TOP OR BOTTOM OF THE UNIT.
6. FRONT AND REAR SERVICE ACCESS REQUIRED.
7. AIR FLOW AND SERVICE REQUIREMENTS, AS WELL AS MINIMUM CLEARANCE TO FIRE SUPPRESSION SYSTEMS SHOULD BE CONSIDERED WHEN LOCATING THE ENCLOSURE.

THIS DRAWING AND SPECIFICATIONS HEREIN ARE THE PROPERTY OF SCHNEIDER ELECTRIC AND SHALL NOT BE COPIED, REPRODUCED OR USED IN WHOLE OR IN PART, AS THE BASIS FOR THE MANUFACTURE OR SALE OF ITEMS WITHOUT WRITTEN PERMISSION FROM SCHNEIDER ELECTRIC. THIS DRAWING IS BASED UPON LATEST AVAILABLE INFORMATION AND IS SUBJECT TO CHANGE WITHOUT NOTICE.



TITLE: MICRO DC 24U SX 3kVA, 120V GENERAL ARRANGEMENT		DWG NO: MDC24SX3KVAT	REV.
DRAWN BY: JAYAPRAKASH		08-MAY-17	FIRST ANGLE PROJECTION
ENGINEER: G IVEY		11-MAY-17	
PROJECT: SUBMITTAL DRAWINGS	SHEET 3 OF 6	APPROVED BY: T HORSTMANN	11-MAY-17



**NOTES:**

1. INSTALLATION SHALL COMPLY WITH ALL APPLICABLE NATIONAL, STATE AND LOCAL CODES.
2. REFER TO PRODUCT DOCUMENTATION FOR ADDITIONAL DETAILS PRIOR TO INSTALLATION AND SITE PREPARATION WORK.
3. ALL DIMENSIONS ARE IN MILLIMETERS [INCHES].

THIS DRAWING AND SPECIFICATIONS HEREIN ARE THE PROPERTY OF SCHNEIDER ELECTRIC AND SHALL NOT BE COPIED, REPRODUCED OR USED IN WHOLE OR IN PART, AS THE BASIS FOR THE MANUFACTURE OR SALE OF ITEMS WITHOUT WRITTEN PERMISSION FROM SCHNEIDER ELECTRIC. THIS DRAWING IS BASED UPON LATEST AVAILABLE INFORMATION AND IS SUBJECT TO CHANGE WITHOUT NOTICE.

**Schneider Electric**

TITLE: MICRO DC 24U SX  
3KVA, 120V  
TOP & BOTTOM VIEWS

DWG NO: MDC24SX3KVAT

REV.

DRAWN BY: JAYAPRAKASH 08-MAY-17

FIRST

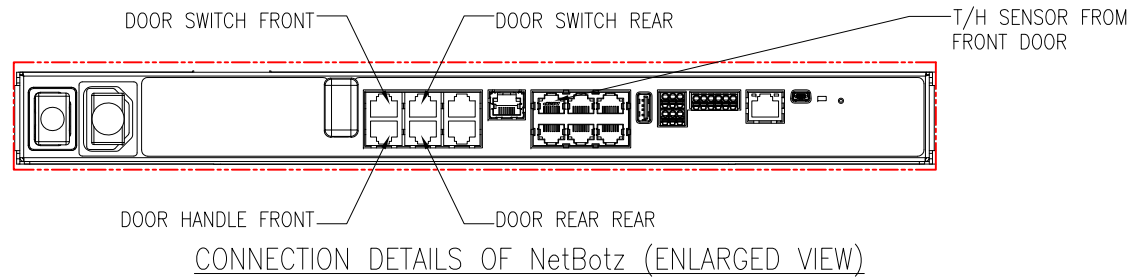
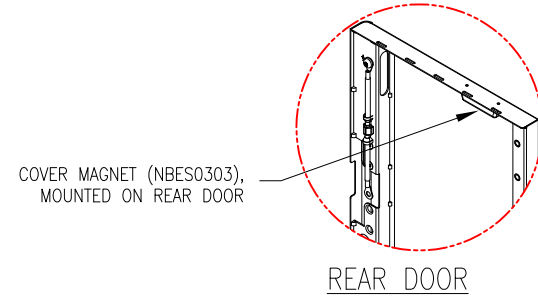
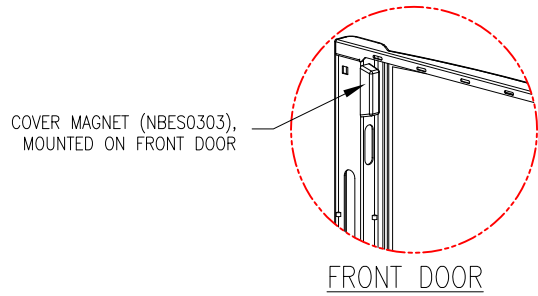
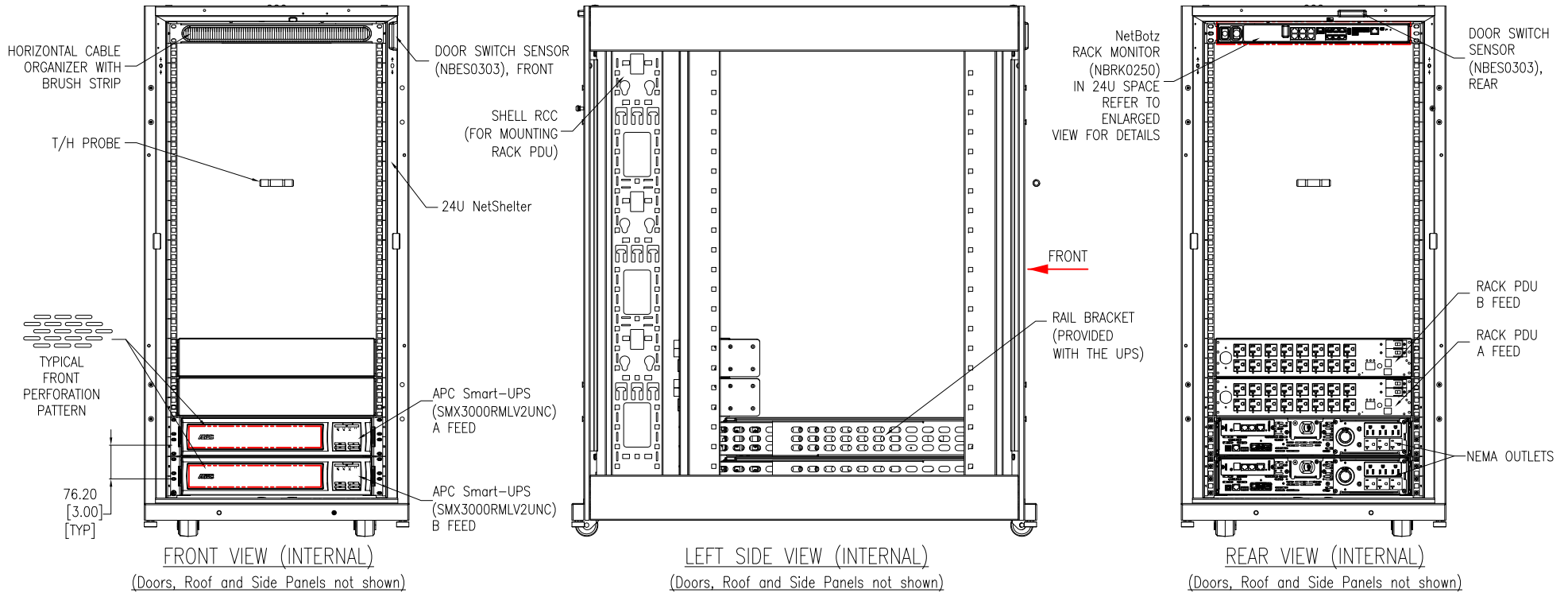
ENGINEER: G IVEY 11-MAY-17

ANGLE

PROJECT: SUBMITTAL DRAWINGS SHEET 4 OF 6

APPROVED BY: T HORSTMANN 11-MAY-17

PROJECTION



**NOTES:**

1. INSTALLATION SHALL COMPLY WITH ALL APPLICABLE NATIONAL, STATE AND LOCAL CODES.
2. REFER TO PRODUCT DOCUMENTATION FOR ADDITIONAL DETAILS PRIOR TO INSTALLATION AND SITE PREPARATION WORK.
3. ALL DIMENSIONS ARE IN MILLIMETERS [INCHES].

THIS DRAWING AND SPECIFICATIONS HEREIN ARE THE PROPERTY OF SCHNEIDER ELECTRIC AND SHALL NOT BE COPIED, REPRODUCED OR USED IN WHOLE OR IN PART, AS THE BASIS FOR THE MANUFACTURE OR SALE OF ITEMS WITHOUT WRITTEN PERMISSION FROM SCHNEIDER ELECTRIC. THIS DRAWING IS BASED UPON LATEST AVAILABLE INFORMATION AND IS SUBJECT TO CHANGE WITHOUT NOTICE.



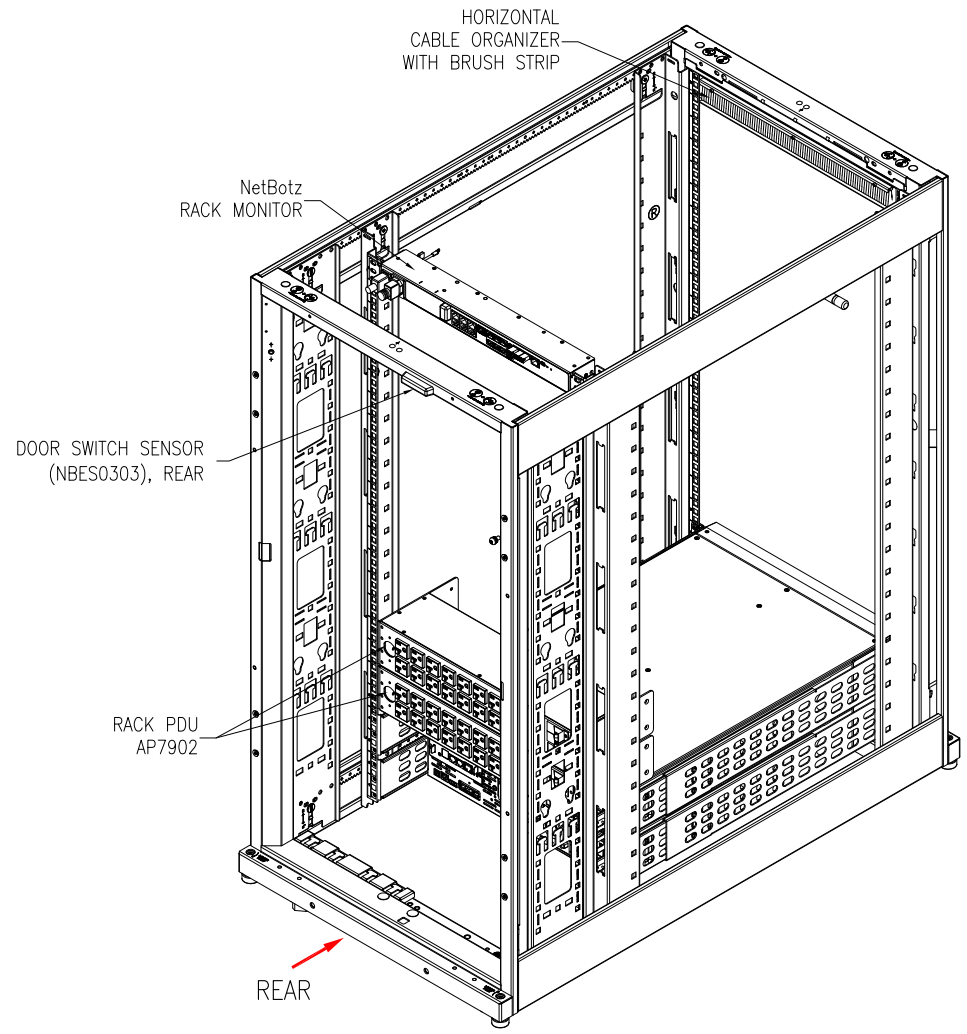
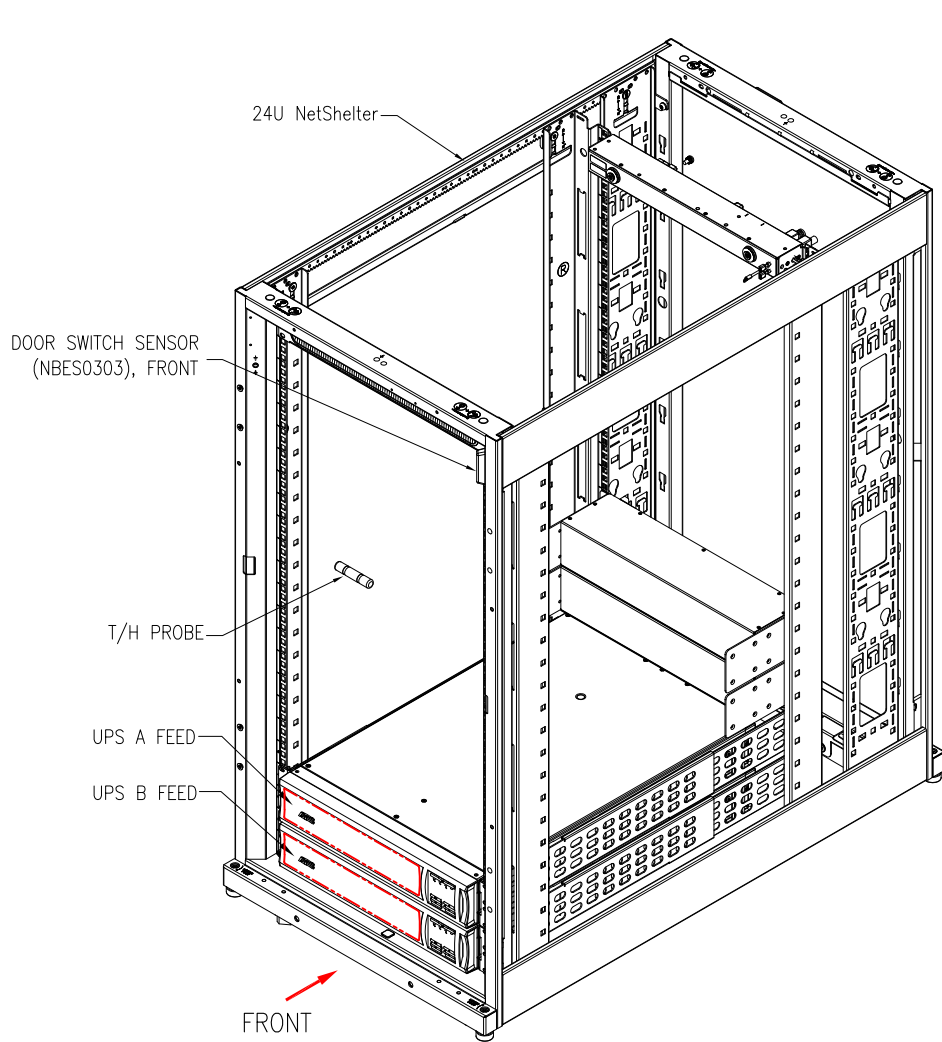
TITLE: MICRO DC 24U SX 3KVA, 120V  
TYPICAL ARRANGEMENT-INTERNAL VIEW

PROJECT: SUBMITTAL DRAWINGS SHEET 5 OF 6

DWG NO: MDC24SX3KVAT

DRAWN BY: JAYAPRAKASH 08-MAY-17  
ENGINEER: G IVEY 11-MAY-17  
APPROVED BY: T HORSTMANN 11-MAY-17

REV. FIRST ANGLE PROJECTION



ISOMETRIC VIEW (INTERNAL)

NOTES:

1. INSTALLATION SHALL COMPLY WITH ALL APPLICABLE NATIONAL, STATE AND LOCAL CODES.
2. REFER TO PRODUCT DOCUMENTATION FOR ADDITIONAL DETAILS PRIOR TO INSTALLATION AND SITE PREPARATION WORK.

THIS DRAWING AND SPECIFICATIONS HEREIN ARE THE PROPERTY OF SCHNEIDER ELECTRIC AND SHALL NOT BE COPIED, REPRODUCED OR USED IN WHOLE OR IN PART, AS THE BASIS FOR THE MANUFACTURE OR SALE OF ITEMS WITHOUT WRITTEN PERMISSION FROM SCHNEIDER ELECTRIC. THIS DRAWING IS BASED UPON LATEST AVAILABLE INFORMATION AND IS SUBJECT TO CHANGE WITHOUT NOTICE.



TITLE: MICRO DC 24U SX  
3KVA, 120V  
TYPICAL ARRANGEMENT ISOMETRIC VIEW

DWG NO: MDC24SX3KVAT

REV.

DRAWN BY: JAYAPRAKASH 08-MAY-17

FIRST

ENGINEER: G IVEY 11-MAY-17

ANGLE

PROJECT: SUBMITTAL DRAWINGS SHEET 6 OF 6

APPROVED BY: T HORSTMANN 11-MAY-17

PROJECTION