

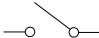

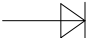
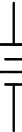



DRAWING GUIDE - Smart - UPS On-line

Sheet No.	Component /Detail	Description
1	Drawing Guide	Smart-UPS-Online SRT1500RMXLA-NC+SRT48RMBP 120VAC Drawing Guide
2	UPS Isometric View	Smart-UPS-Online SRT1500RMXLA-NC+SRT48RMBP 120VAC UPS Isometric View
3	UPS General Arrangement	Smart-UPS-Online SRT1500RMXLA-NC+SRT48RMBP 120VAC UPS General Arrangement
4	Battery Isometric View	Smart-UPS-Online SRT1500RMXLA-NC+SRT48RMBP 120VAC UPS Isometric View
5	Battery General Arrangement	Smart-UPS-Online SRT1500RMXLA-NC+SRT48RMBP 120VAC Battery General Arrangement
6	Solution Isometric View	Smart-UPS-Online SRT1500RMXLA-NC+SRT48RMBP 120VAC Solution Isometric View
7	Solution General Arrangement	Smart-UPS-Online SRT1500RMXLA-NC+SRT48RMBP 120VAC Solution General Arrangement
8	System One Line Diagram	Smart-UPS-Online SRT1500RMXLA-NC+SRT48RMBP 120VAC System One Line Diagram

LEGEND			
SYMBOL	DESCRIPTION	SYMBOL	DESCRIPTION
	CIRCUIT BREAKER		AC-DC CONVERTER
	RELAY		DC-AC CONVERTER (INVERTER)
	TERMINATOR		BATTERY
	DC-DC CONVERTER		

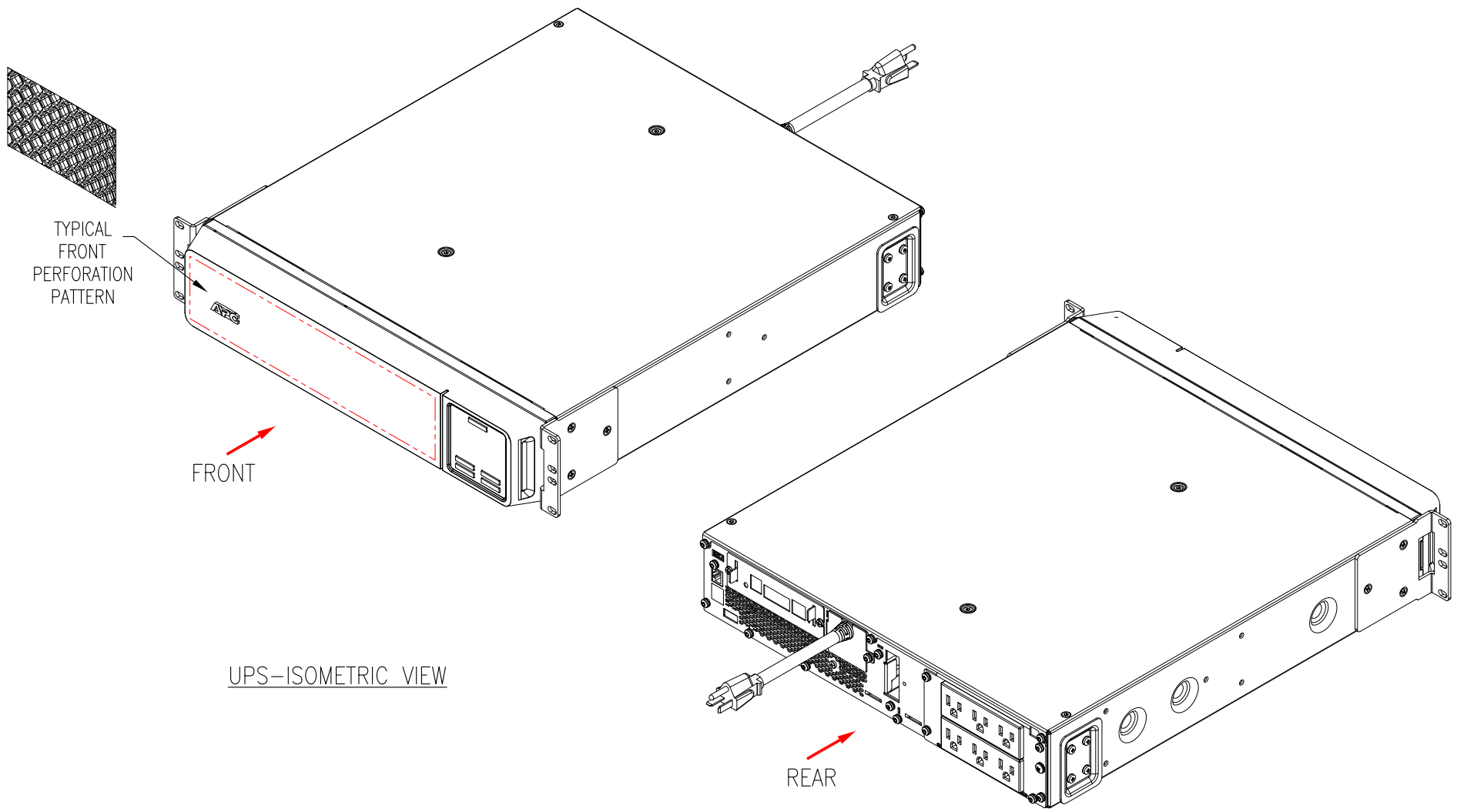
THIS DRAWING AND SPECIFICATIONS HEREIN ARE THE PROPERTY OF SCHNEIDER ELECTRIC AND SHALL NOT BE COPIED, REPRODUCED OR USED IN WHOLE OR IN PART, AS THE BASIS FOR THE MANUFACTURE OR SALE OF ITEMS WITHOUT WRITTEN PERMISSION FROM SCHNEIDER ELECTRIC. THIS DRAWING IS BASED UPON LATEST AVAILABLE INFORMATION AND IS SUBJECT TO CHANGE WITHOUT NOTICE.



TITLE: Smart-UPS Online (SRT) SRT1500RMXLA-NC+SRT48RMBP
 Input: 120VAC, (L+N+G), 50/60Hz, 1PH
 UPS Output: 120VAC, (L+N+G), 50/60Hz, 1PH, (6)NEMA 5-15R
 RACK MOUNT UPS WITH NETWORK CARD & EXT. BATT. PACK
 DRAWING GUIDE
PROJECT: DRAWINGS **SHEET** 1 OF 8

DWG NO: SRT1500RMXLA-NC
ENGINEER: INDRA PRAKASH/SANTHOSH
APPROVED BY: S KATTIGE

REV. 0
DRAWN BY: JAYAPRAKASH
PROJECTION
 27-MAR-17
 30-MAR-17
 30-MAR-17
 N.A.



UPS-ISOMETRIC VIEW

- NOTES:
1. INSTALLATION SHALL COMPLY WITH ALL APPLICABLE NATIONAL, STATE AND LOCAL CODES.
 2. REFER TO PRODUCT DOCUMENTATION FOR ADDITIONAL DETAILS PRIOR TO INSTALLATION AND SITE PREPARATION WORK.

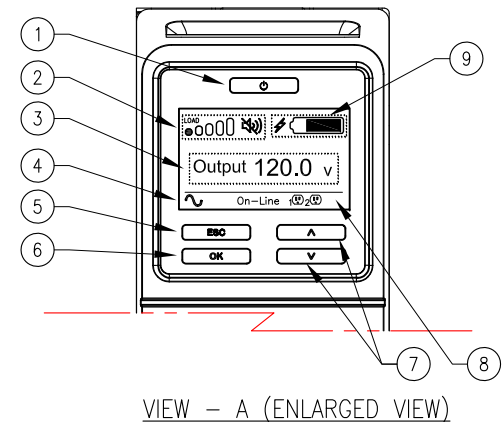
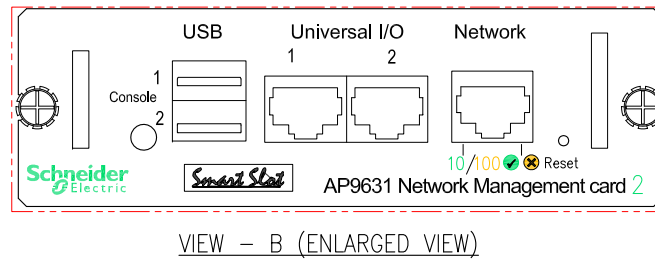
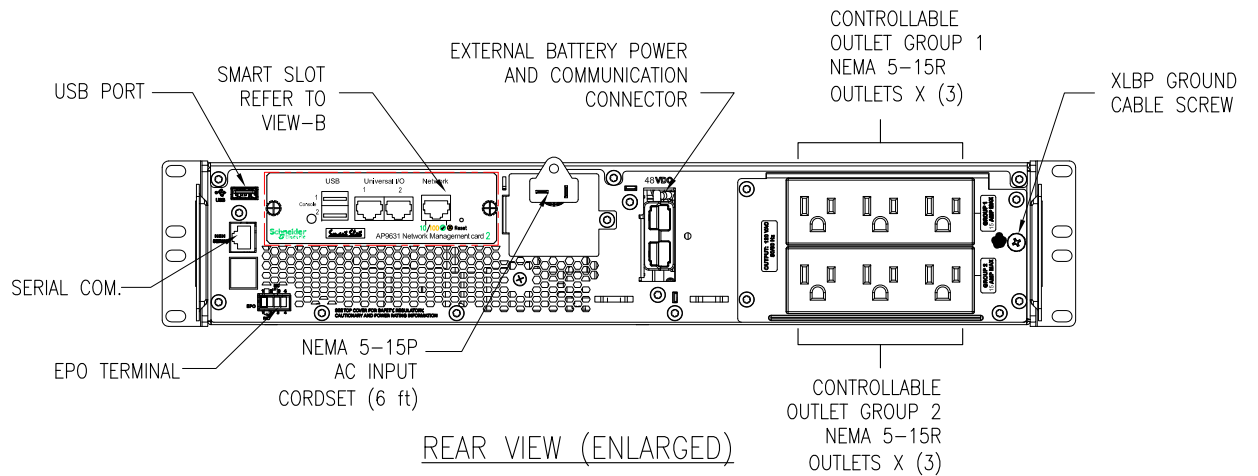
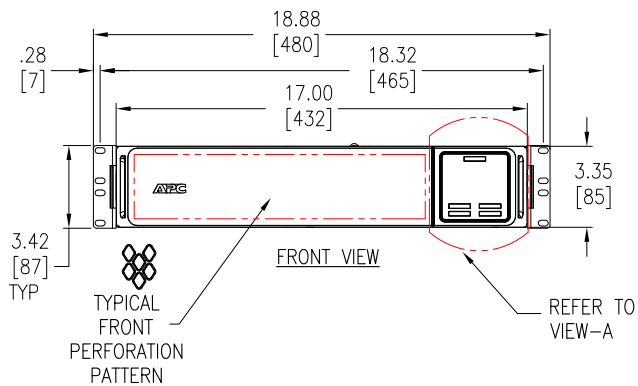
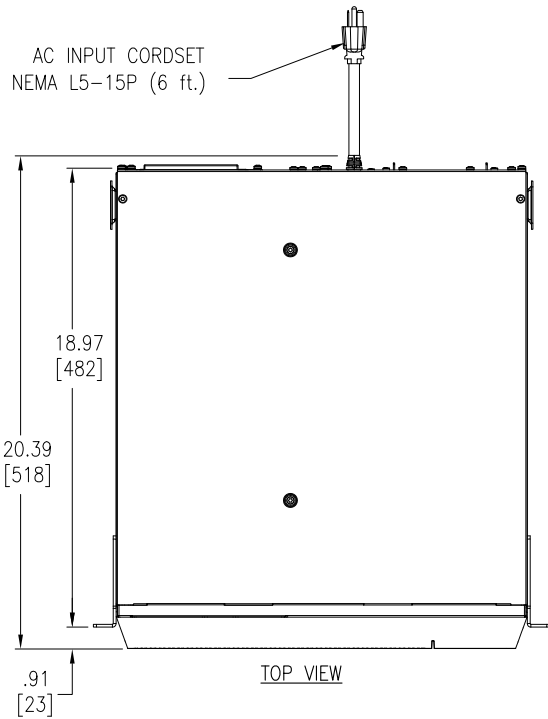
THIS DRAWING AND SPECIFICATIONS HEREIN ARE THE PROPERTY OF SCHNEIDER ELECTRIC AND SHALL NOT BE COPIED, REPRODUCED OR USED IN WHOLE OR IN PART, AS THE BASIS FOR THE MANUFACTURE OR SALE OF ITEMS WITHOUT WRITTEN PERMISSION FROM SCHNEIDER ELECTRIC. THIS DRAWING IS BASED UPON LATEST AVAILABLE INFORMATION AND IS SUBJECT TO CHANGE WITHOUT NOTICE.



TITLE: Short-UPS Online (SRT) SRT1500RMXLA-NC+SRT48RMBP
 Input: 120VAC, (L+N+G), 50/60Hz, 1PH
 UPS Output: 120VAC, (L+N+G), 50/60Hz, 1PH, (6)NEMA 5-15R
 RACK MOUNT UPS WITH NETWORK CARD & EXT. BATT. PACK
 UPS-ISOMETRIC VIEW
PROJECT: DRAWINGS **SHEET 2 OF 8**

DWG NO: SRT1500RMXLA-NC
ENGINEER: INDRA PRAKASH/SANTHOSH
APPROVED BY: S KATTIGE

REV. 0
THIRD
ANGLE
PROJECTION



DISPLAY INTERFACE:

1. POWER "ON/OFF" BUTTON.
2. LOAD ICON, DISABLE/ MUTE AUDIBLE ALARM ICON.
3. UPS STATUS INFORMATION.
4. OPERATION MODE ICONS.
5. "ESCAPE" BUTTON.
6. "OK" BUTTON.
7. "UP/DOWN" BUTTONS.
8. CONTROLLABLE OUTLET GROUP STATUS ICONS.
9. BATTERY STATUS ICONS.

NOTES:

1. INSTALLATION SHALL COMPLY WITH ALL APPLICABLE NATIONAL, STATE AND LOCAL CODES.
2. REFER TO PRODUCT DOCUMENTATION FOR ADDITIONAL DETAILS PRIOR TO INSTALLATION AND SITE PREPARATION WORK.
3. ALL DIMENSIONS ARE IN INCHES [MILLIMETERS].
4. CABLE ENTRY IS FROM REAR OF UNIT.
5. WEIGHT OF UNIT IS 48.5 lb [22 kg].

THIS DRAWING AND SPECIFICATIONS HEREIN ARE THE PROPERTY OF SCHNEIDER ELECTRIC AND SHALL NOT BE COPIED, REPRODUCED OR USED IN WHOLE OR IN PART, AS THE BASIS FOR THE MANUFACTURE OR SALE OF ITEMS WITHOUT WRITTEN PERMISSION FROM SCHNEIDER ELECTRIC. THIS DRAWING IS BASED UPON LATEST AVAILABLE INFORMATION AND IS SUBJECT TO CHANGE WITHOUT NOTICE.

Schneider Electric

TITLE: Smart-UPS Online (SRT) SRT1500RMXLA-NC+SRT48RMBP
Input: 120VAC, (L+N+G), 50/60Hz, 1PH
UPS Output: 120VAC, (L+N+G), 50/60Hz, 1PH, (6)NEMA 5-15R
RACK MOUNT UPS WITH NETWORK CARD & EXT. BATT. PACK
UPS-GENERAL ARRANGEMENT

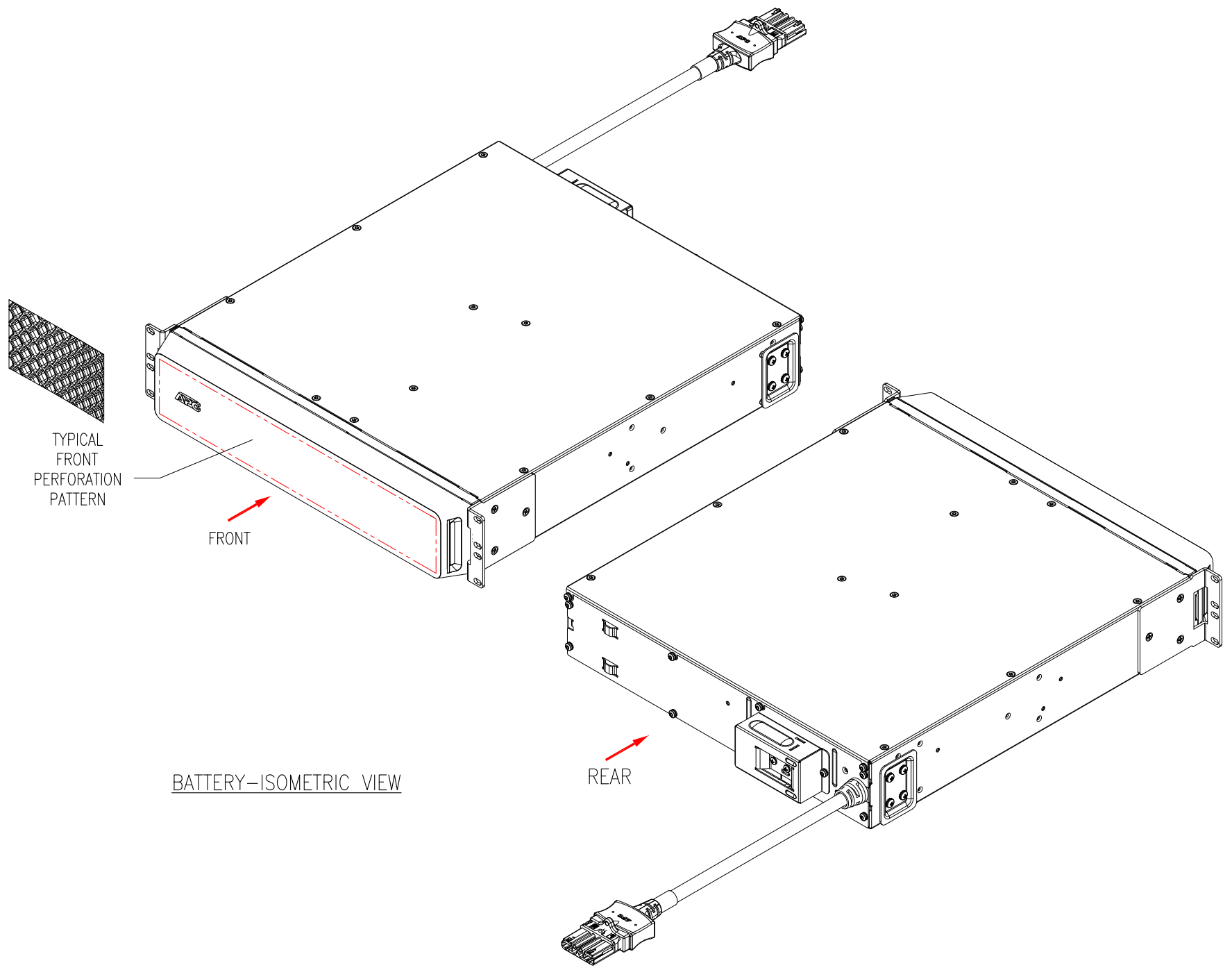
PROJECT: DRAWINGS SHEET 3 OF 8

DWG NO: SRT1500RMXLA-NC REV. 0

DRAWN BY: JAYAPRAKASH 27-MAR-17 THIRD

ENGINEER: INDRA PRAKASH/SANTHOSH 30-MAR-17 ANGLE

APPROVED BY: S KATTIGE 30-MAR-17 PROJECTION



- NOTES:
1. INSTALLATION SHALL COMPLY WITH ALL APPLICABLE NATIONAL, STATE AND LOCAL CODES.
 2. REFER TO PRODUCT DOCUMENTATION FOR ADDITIONAL DETAILS PRIOR TO INSTALLATION AND SITE PREPARATION WORK.

THIS DRAWING AND SPECIFICATIONS HEREIN ARE THE PROPERTY OF SCHNEIDER ELECTRIC AND SHALL NOT BE COPIED, REPRODUCED OR USED IN WHOLE OR IN PART, AS THE BASIS FOR THE MANUFACTURE OR SALE OF ITEMS WITHOUT WRITTEN PERMISSION FROM SCHNEIDER ELECTRIC. THIS DRAWING IS BASED UPON LATEST AVAILABLE INFORMATION AND IS SUBJECT TO CHANGE WITHOUT NOTICE.

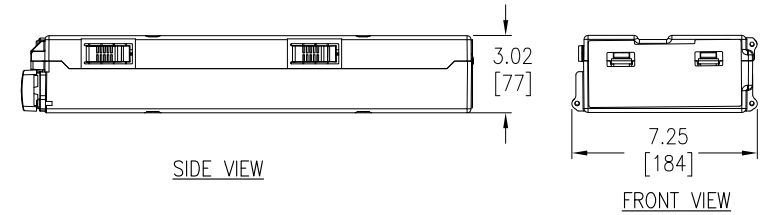
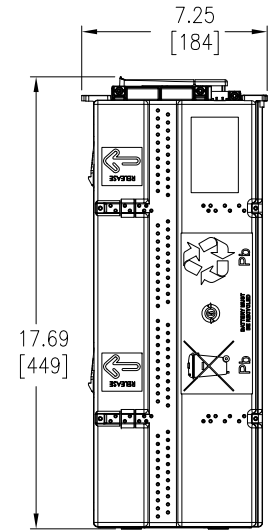
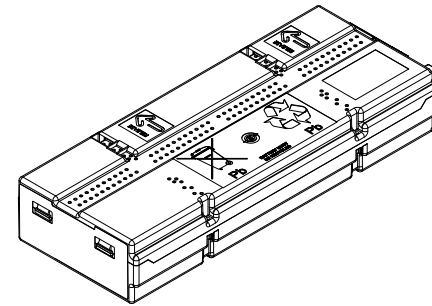
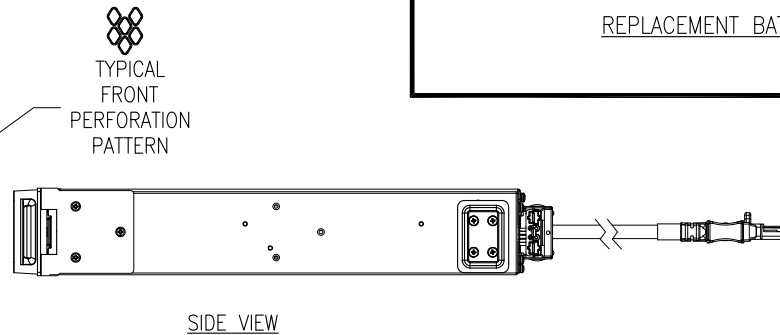
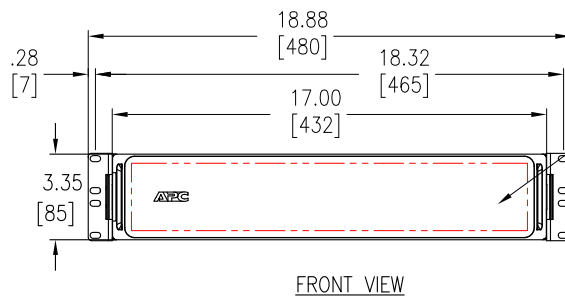
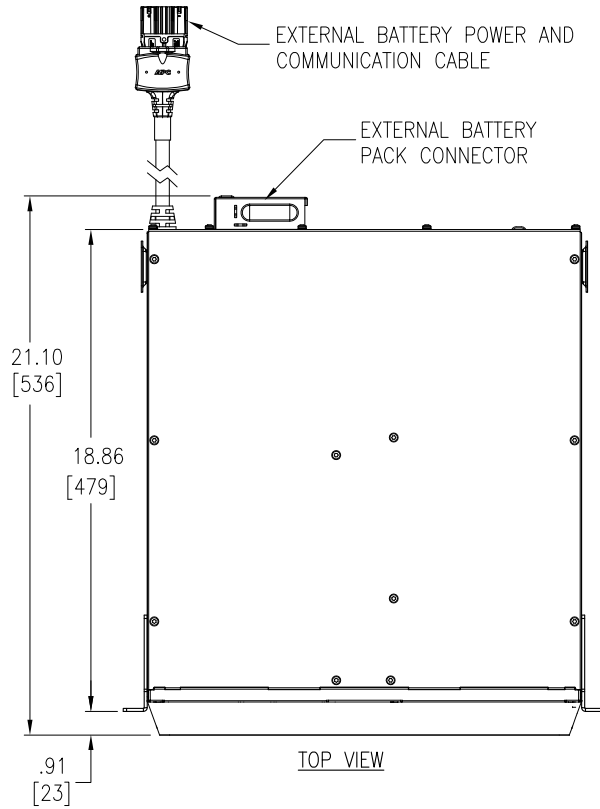


MODEL: UPS Online (SRT) SRT1500RMXLA-NC+SRT48RMBP
Input: 120VAC, (L+N+G), 50/60Hz, 1PH
UPS Output: 120VAC, (L+N+G), 50/60Hz, 1PH, (6)NEMA 5-15R
RACK MOUNT UPS WITH NETWORK CARD & EXT. BATT. PACK BATTERY ISOMETRIC VIEW
PROJECT: DRAWINGS **SHEET** 4 OF 8

DWG NO: SRT1500RMXLA-NC
ENGINEER: INDRA PRAKASH/SANTHOSH
APPROVED BY: S KATTIGE

REV. 0
THIRD
ANGLE
PROJECTION

EXTERNAL BATTERY (SRT48RMBP)



REPLACEMENT BATTERY CARTRIDGE - (APCRBC155)

NOTES:

1. INSTALLATION SHALL COMPLY WITH ALL APPLICABLE NATIONAL, STATE AND LOCAL CODES.
2. REFER TO PRODUCT DOCUMENTATION FOR ADDITIONAL DETAILS PRIOR TO INSTALLATION AND SITE PREPARATION WORK.
3. ALL DIMENSIONS ARE IN INCHES [MILLIMETERS].
4. WEIGHT OF UNIT 69.5 lb [31.5kg].

THIS DRAWING AND SPECIFICATIONS HEREIN ARE THE PROPERTY OF SCHNEIDER ELECTRIC AND SHALL NOT BE COPIED, REPRODUCED OR USED IN WHOLE OR IN PART, AS THE BASIS FOR THE MANUFACTURE OR SALE OF ITEMS WITHOUT WRITTEN PERMISSION FROM SCHNEIDER ELECTRIC. THIS DRAWING IS BASED UPON LATEST AVAILABLE INFORMATION AND IS SUBJECT TO CHANGE WITHOUT NOTICE.

Schneider Electric

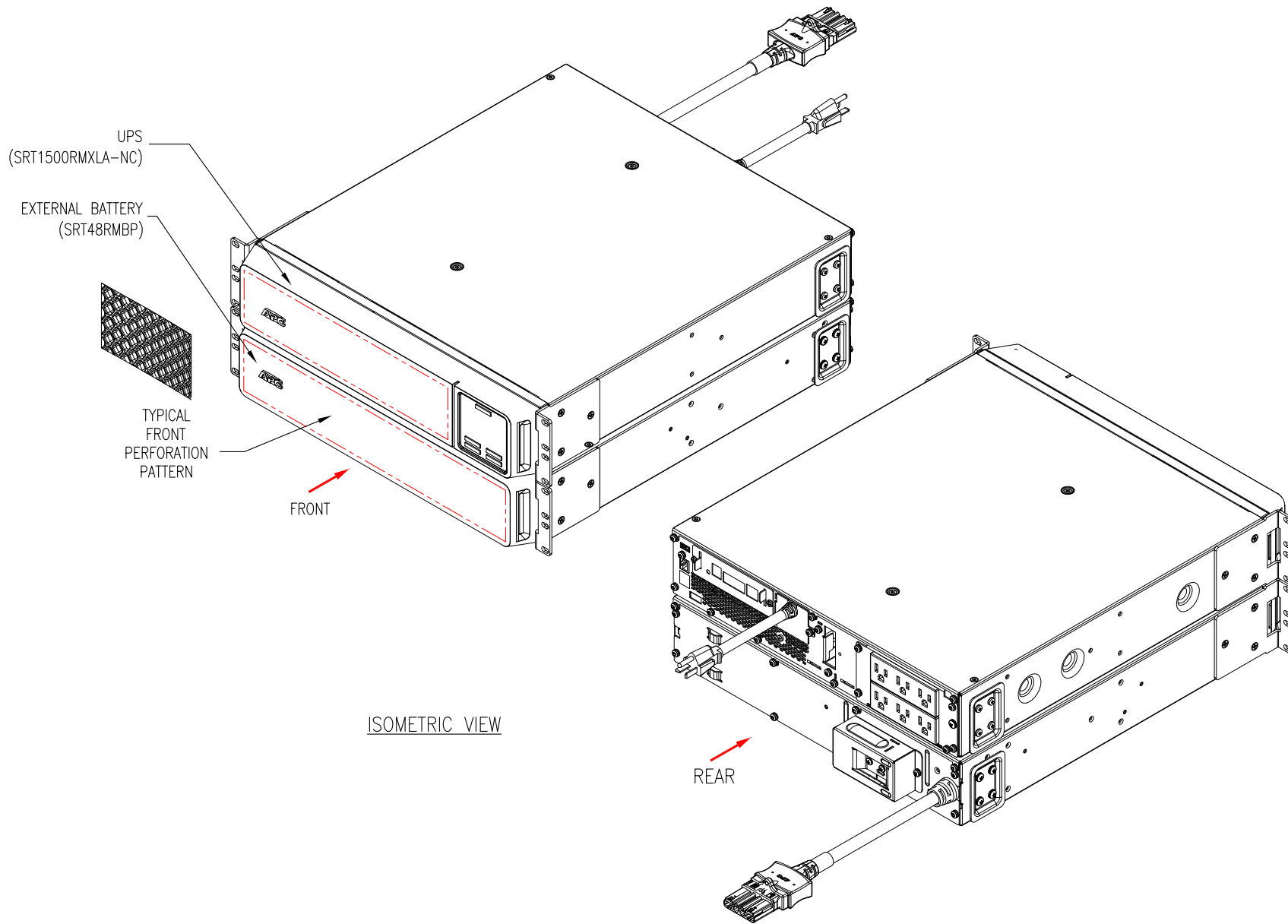
TITLE: Short-UPS Online (SRT) SRT1500RMXLA-NC+SRT48RMBP
 Input: 120VAC, (L+N+G), 50/60Hz, 1PH
 UPS Output: 120VAC, (L+N+G), 50/60Hz, 1PH, (6)NEMA 5-15R
 RACK MOUNT UPS WITH NETWORK CARD & EXT. BATT. PACK
 BATTERY AND CARTRIDGE GENERAL ARRANGEMENT
 PROJECT: DRAWINGS SHEET 5 OF 8

DWG NO: SRT1500RMXLA-NC REV. 0

DRAWN BY: JAYAPRAKASH 27-MAR-17 THIRD

ENGINEER: INDRA PRAKASH/SANTHOSH 30-MAR-17 ANGLE

APPROVED BY: S KATTIGE 30-MAR-17 PROJECTION



ISOMETRIC VIEW

NOTES:

1. INSTALLATION SHALL COMPLY WITH ALL APPLICABLE NATIONAL, STATE AND LOCAL CODES.
2. REFER TO PRODUCT DOCUMENTATION FOR ADDITIONAL DETAILS PRIOR TO INSTALLATION AND SITE PREPARATION WORK.

THIS DRAWING AND SPECIFICATIONS HEREIN ARE THE PROPERTY OF SCHNEIDER ELECTRIC AND SHALL NOT BE COPIED, REPRODUCED OR USED IN WHOLE OR IN PART, AS THE BASIS FOR THE MANUFACTURE OR SALE OF ITEMS WITHOUT WRITTEN PERMISSION FROM SCHNEIDER ELECTRIC. THIS DRAWING IS BASED UPON LATEST AVAILABLE INFORMATION AND IS SUBJECT TO CHANGE WITHOUT NOTICE.



TITLE: Smart-UPS Online (SRT) SRT1500RMXLA-NC+SRT48RMBP
 Input: 120VAC, (L+N+G), 50/60Hz, 1PH
 UPS Output: 120VAC, (L+N+G), 50/60Hz, 1PH, (6)NEMA 5-15R
 RACK MOUNT UPS WITH NETWORK CARD & EXT. BATT. PACK
 SOLUTION-ISOMETRIC VIEW

PROJECT: DRAWINGS SHEET 6 OF 8

DWG NO: SRT1500RMXLA-NC

DRAWN BY: JAYAPRAKASH 27-MAR-17

ENGINEER: INDRA PRAKASH/SANTHOSH 30-MAR-17

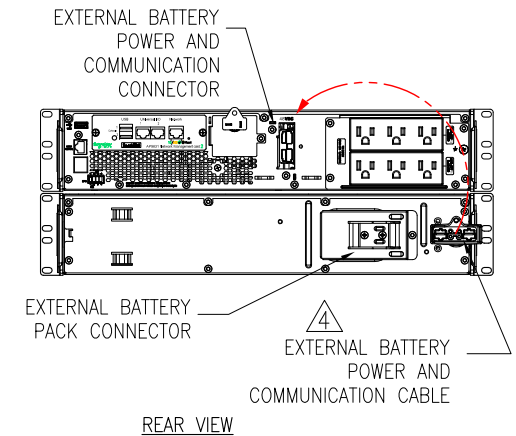
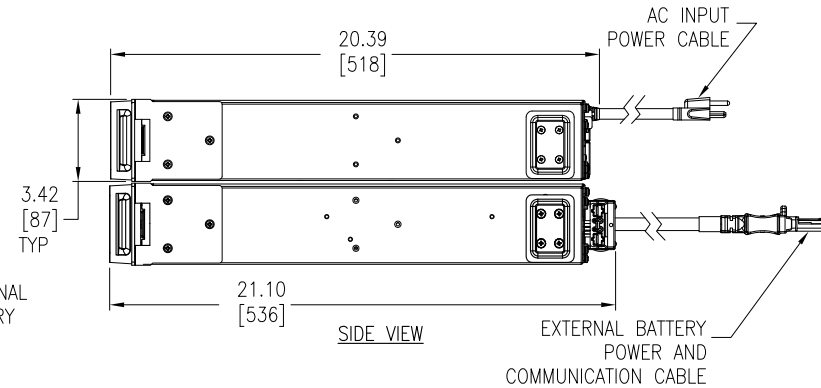
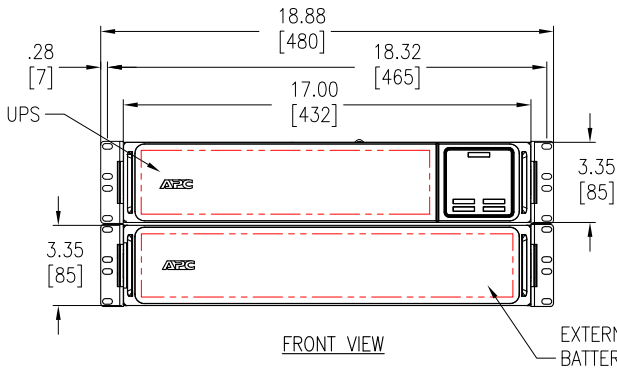
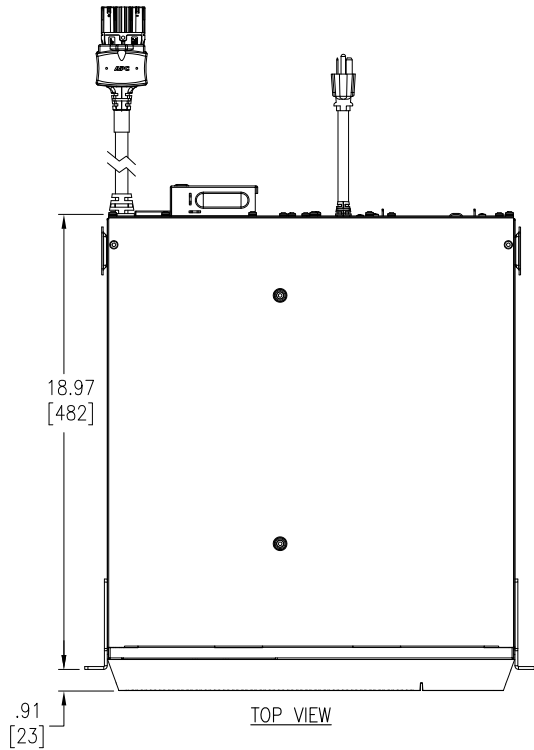
APPROVED BY: S KATTIGE 30-MAR-17

REV. 0

THIRD

ANGLE

PROJECTION



NOTES:

1. INSTALLATION SHALL COMPLY WITH ALL APPLICABLE NATIONAL, STATE AND LOCAL CODES.
2. REFER TO PRODUCT DOCUMENTATION FOR ADDITIONAL DETAILS PRIOR TO INSTALLATION AND SITE PREPARATION WORK.
3. ALL DIMENSIONS ARE IN INCHES [MILLIMETERS].
- △ 4. CONNECT EXTERNAL BATTERY POWER AND COMMUNICATION CABLE TO EXTERNAL BATTERY POWER AND COMMUNICATION CONNECTOR OF UPS.

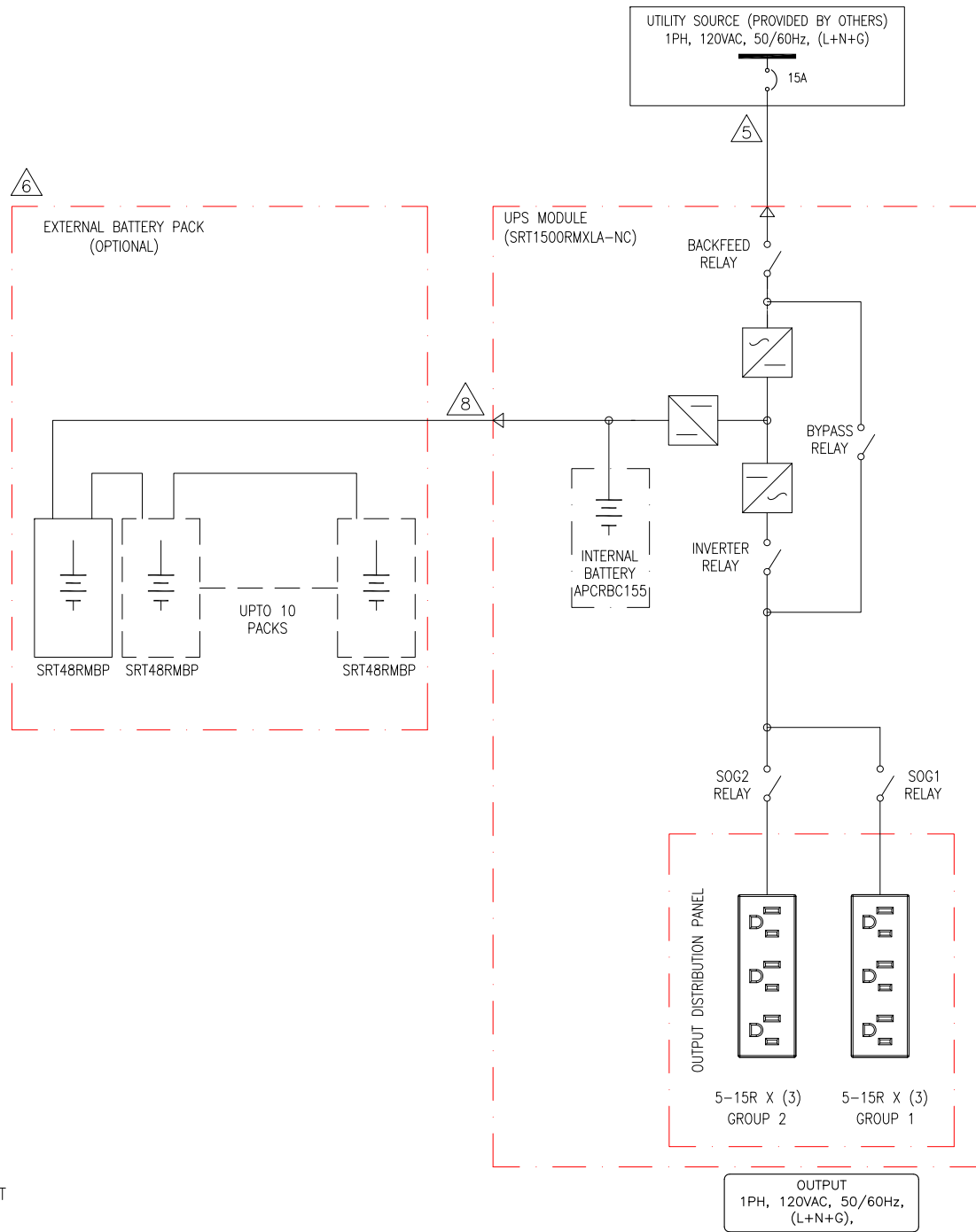
THIS DRAWING AND SPECIFICATIONS HEREIN ARE THE PROPERTY OF SCHNEIDER ELECTRIC AND SHALL NOT BE COPIED, REPRODUCED OR USED IN WHOLE OR IN PART, AS THE BASIS FOR THE MANUFACTURE OR SALE OF ITEMS WITHOUT WRITTEN PERMISSION FROM SCHNEIDER ELECTRIC. THIS DRAWING IS BASED UPON LATEST AVAILABLE INFORMATION AND IS SUBJECT TO CHANGE WITHOUT NOTICE.



TITLE: Short-UPS Online (SRT) SRT1500RMXLA-NC+SR148RMBP
 Input: 120VAC, (L+N+G), 50/60Hz, 1PH
 UPS Output: 120VAC, (L+N+G), 50/60Hz, 1PH, (6)NEMA 5-15R
 RACK MOUNT UPS WITH NETWORK CARD & EXT. BATT. PACK
 SOLUTION - GENERAL ARRANGEMENT
PROJECT: DRAWINGS **SHEET 7 OF 8**

DWG NO: SRT1500RMXLA-NC
DRAWN BY: JAYAPRAKASH 27-MAR-17
ENGINEER: INDRA PRAKASH/SANTHOSH 30-MAR-17
APPROVED BY: S KATTIGE 30-MAR-17

REV. 0
THIRD
ANGLE
PROJECTION



NOTES:

1. INSTALLATION SHALL COMPLY WITH ALL APPLICABLE NATIONAL, STATE AND LOCAL CODES.
2. REFER TO PRODUCT DOCUMENTATION FOR ADDITIONAL DETAILS PRIOR TO INSTALLATION AND SITE PREPARATION WORK.
3. DRAWING DEPICTS POWER SYSTEM CONNECTIONS AND IS NOT REPRESENTATIVE OF PHYSICAL LAYOUT. PLEASE REFER TO MECHANICAL DRAWINGS FOR MORE SPECIFIC PHYSICAL DATA.
4. UTILITY SOURCE MUST BE 1PH, 120VAC (L+N+G), 50/60Hz PROVIDED BY OTHERS.
- △5. CORDSET 6 FEET, NEMA L5-15P IS PART OF UPS SKU# SRT1500RMXLA-NC.
- △6. A MAXIMUM OF 10 EXTERNAL BATTERY PACKS CAN BE CONNECTED WITH UPS TO GET EXTENDED RUN TIME.
7. OUTPUT DISTRIBUTION PANEL CONTAINS CONTROLLABLE OUTPUT GROUPS. REFER TO INSTALLATION MANUAL FOR DETAILED INSTRUCTIONS.
- △8. CABLE IS PART OF EXTERNAL BATTERY PACK SKU #: SRT48RMBP.

THIS DRAWING AND SPECIFICATIONS HEREIN ARE THE PROPERTY OF SCHNEIDER ELECTRIC AND SHALL NOT BE COPIED, REPRODUCED OR USED IN WHOLE OR IN PART, AS THE BASIS FOR THE MANUFACTURE OR SALE OF ITEMS WITHOUT WRITTEN PERMISSION FROM SCHNEIDER ELECTRIC. THIS DRAWING IS BASED UPON LATEST AVAILABLE INFORMATION AND IS SUBJECT TO CHANGE WITHOUT NOTICE.



TITLE: Short-UPS Online (SRT) SRT1500RMXLA-NC+SRT48RMBP
 Input: 120VAC, (L+N+G), 50/60Hz, 1PH
 UPS Output: 120VAC, (L+N+G), 50/60Hz, 1PH, (6)NEMA 5-15R RACK MOUNT UPS WITH NETWORK CARD & EXT. BATT. PACK SYSTEM ONELINE DIAGRAM
PROJECT: DRAWINGS **SHEET 8 OF 8**

DWG NO: SRT1500RMXLA-NC
DRAWN BY: JAYAPRAKASH 27-MAR-17
ENGINEER: INDRA PRAKASH/SANTHOSH 30-MAR-17
APPROVED BY: S KATTIGE 30-MAR-17

REV. 0
ANGLE
PROJECTION
 N.A.