

NOTES:

1. INSTALLATION SHALL COMPLY WITH ALL APPLICABLE NATIONAL, STATE AND LOCAL ELECTRICAL REGULATIONS.
2. REFER TO PRODUCT DOCUMENTATION FOR ADDITIONAL DETAILS PRIOR TO INSTALLATION AND SITE PREPARATION WORK
3. ALL DIMENSIONS ARE IN INCHES [MILLIMETERS].
4. NET WEIGHT OF UNIT IS 5.0 lb [2.27kg].
- △ 5. LENGTH OF CORD IS 70.87 - 98.42 inches [1800-2500mm].

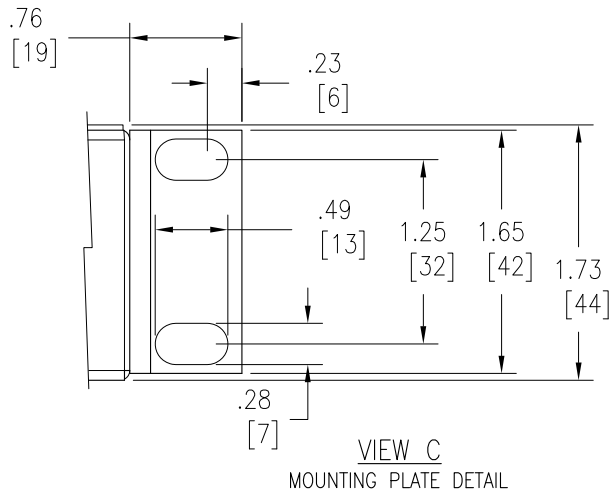
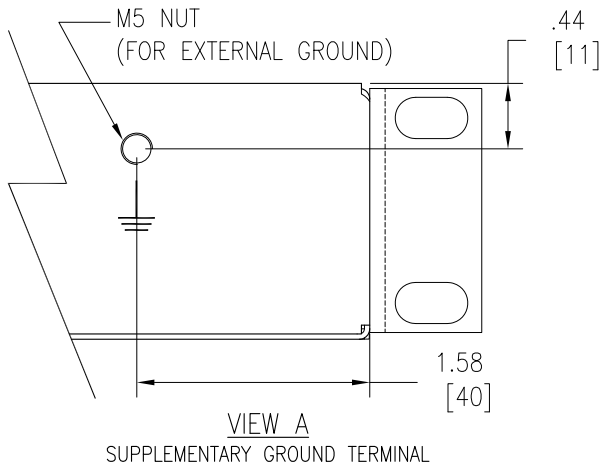
THIS DRAWING AND SPECIFICATIONS HEREIN ARE THE PROPERTY OF SCHNEIDER ELECTRIC AND SHALL NOT BE COPIED, REPRODUCED OR USED IN WHOLE OR IN PART, AS THE BASIS FOR THE MANUFACTURE OR SALE OF ITEMS WITHOUT WRITTEN PERMISSION FROM SCHNEIDER ELECTRIC. THIS DRAWING IS BASED UPON LATEST AVAILABLE INFORMATION AND IS SUBJECT TO CHANGE WITHOUT NOTICE.



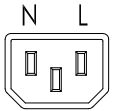
TITLE: RACK PDU, SWITCHED, 1U
 INPUT: 12A/208V, 10A/230V, IEC-320 C14
 OUTPUT: 230VAC, 10A, (8) IEC-320 C13
 OUTPUT: 208VAC, 12A, (8) IEC-320 C13
 GENERAL ARRANGEMENT

PROJECT: DRAWINGS **SHEET 1 OF 2**

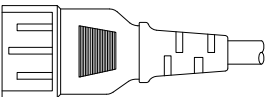
DWG NO:	AP7920B	REV.	0
DRAWN BY:	JAYAPRAKASH	24-AUG-16	THIRD
ENGINEER:	KATIE RICK	07-DEC-16	ANGLE
APPROVED BY:	KATIE RICK	07-DEC-16	PROJECTION



END VIEW

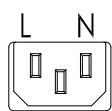


E
IEC-320 C14

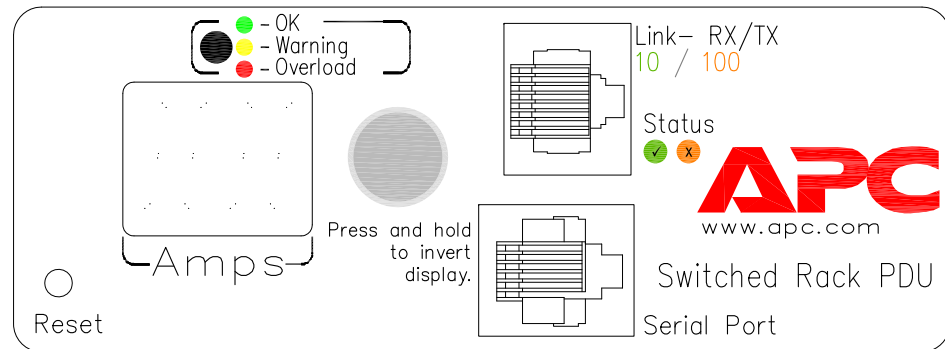
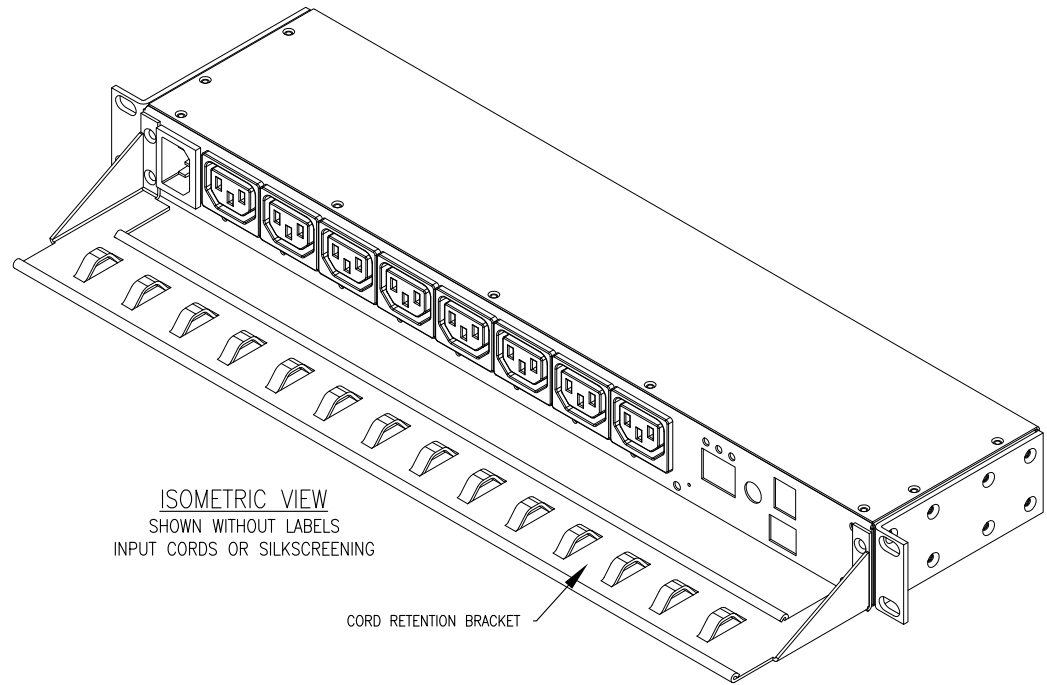
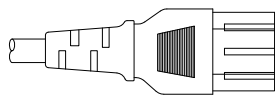


VIEW D
INPUT CORD PLUG DETAIL

END VIEW



E
IEC-320 C13



VIEW B (DISPLAY INTERFACE-ENLARGED)

NOTES:

1. INSTALLATION SHALL COMPLY WITH ALL APPLICABLE NATIONAL, STATE AND LOCAL CODES.
2. REFER TO PRODUCT DOCUMENTATION FOR ADDITIONAL DETAILS PRIOR TO INSTALLATION AND SITE PREPARATION WORK.
3. ALL DIMENSIONS ARE IN INCHES [MILLIMETERS].

THIS DRAWING AND SPECIFICATIONS HEREIN ARE THE PROPERTY OF SCHNEIDER ELECTRIC AND SHALL NOT BE COPIED, REPRODUCED OR USED IN WHOLE OR IN PART, AS THE BASIS FOR THE MANUFACTURE OR SALE OF ITEMS WITHOUT WRITTEN PERMISSION FROM SCHNEIDER ELECTRIC. THIS DRAWING IS BASED UPON LATEST AVAILABLE INFORMATION AND IS SUBJECT TO CHANGE WITHOUT NOTICE.

Schneider Electric

TITLE: RACK PDU, SWITCHED, 1U
INPUT: 12A/208V, 10A/230V, IEC-320 C14
OUTPUT: 230VAC, 10A, (8) IEC-320 C13
OUTPUT: 208VAC, 12A, (8) IEC-320 C13
ISOMETRIC & DETAIL VIEWS

PROJECT: DRAWINGS SHEET 2 OF 2

DWG NO:	AP7920B	REV:	0
DRAWN BY:	JAYAPRAKASH	DATE:	24-AUG-16
ENGINEER:	KATIE RICK	DATE:	07-DEC-16
APPROVED BY:	KATIE RICK	DATE:	07-DEC-16
			THIRD ANGLE PROJECTION