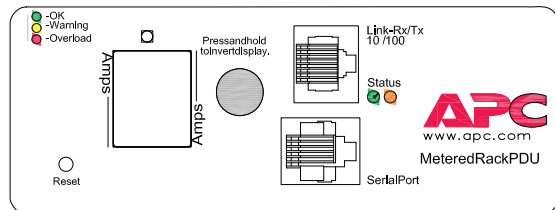
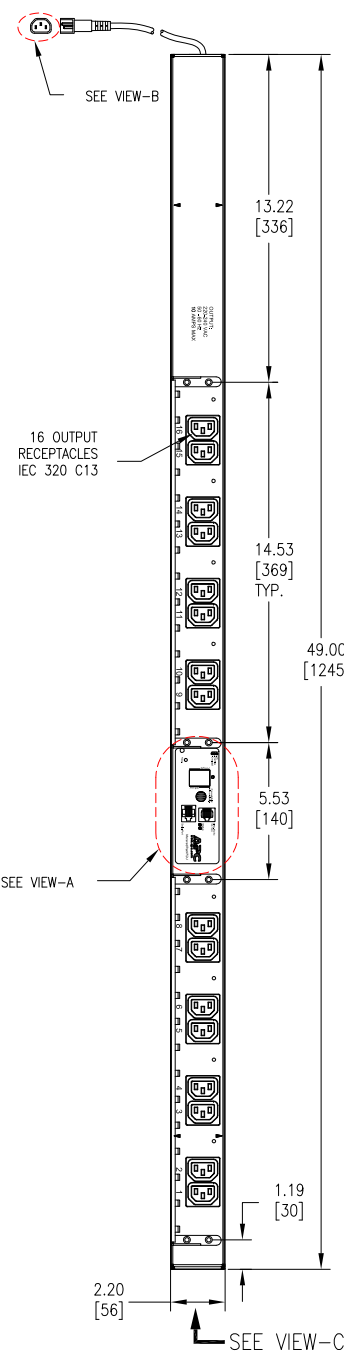


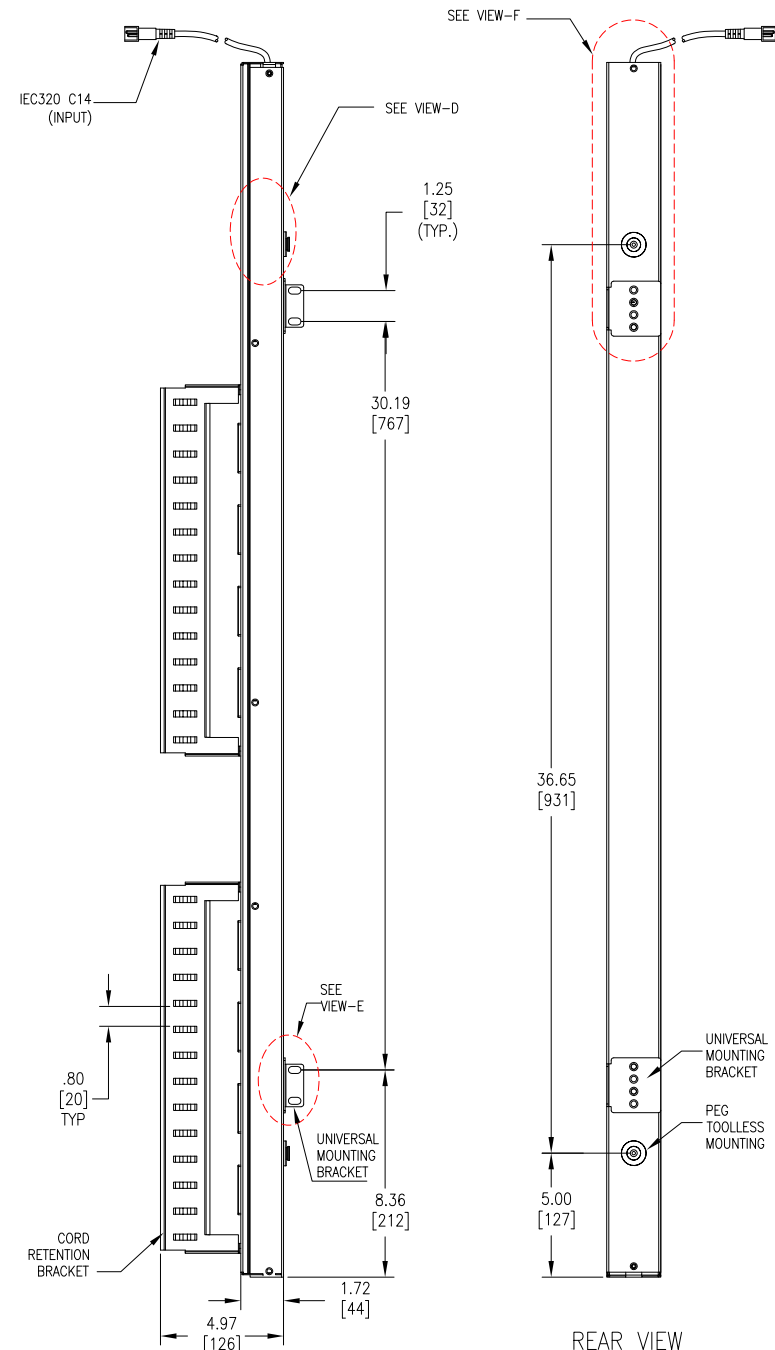
ISOMETRIC VIEW



VIEW-A (DISPLAY INTERFACE-ENLARGED VIEW)

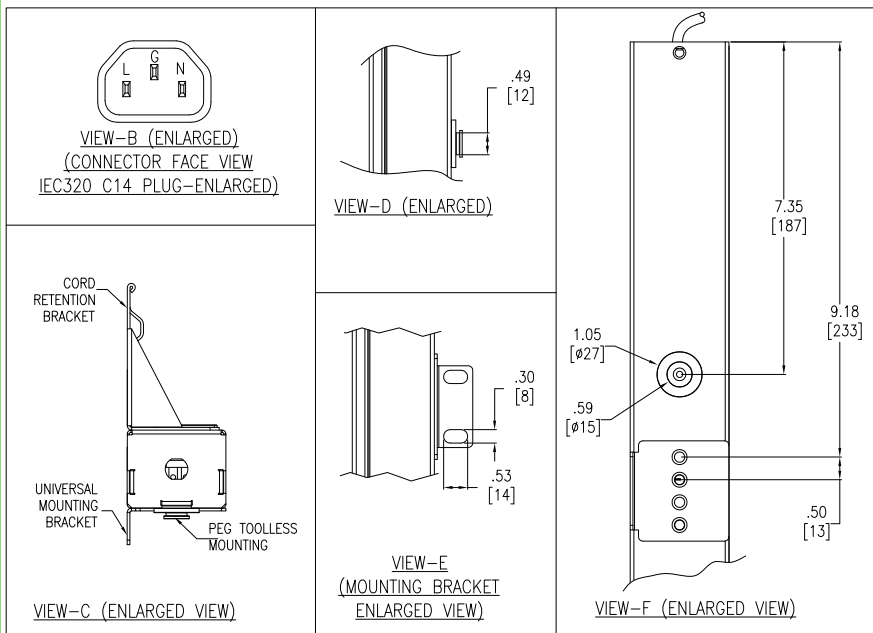


FRONT VIEW



SIDE VIEW

REAR VIEW



- NOTES:
1. INSTALLATION SHALL COMPLY WITH ALL APPLICABLE NATIONAL, STATE AND LOCAL ELECTRICAL REGULATIONS.
  2. REFER TO PRODUCT DOCUMENTATION FOR ADDITIONAL DETAILS PRIOR TO INSTALLATION AND SITE PREPARATION WORK
  3. ALL DIMENSIONS ARE IN INCHES [MILLIMETERS].
  4. NET WEIGHT OF UNIT IS 6.75 lb [3.06kg].
  5. LENGTH OF INPUT CORD IS 120 Inches [3048mm].
  6. UNIVERSAL MOUNTING BRACKET IS AN ALTERNATIVE MOUNTING METHOD TO THE TOOLLESS MOUNT FOR NON APC RACKS.
  7. BRACKET KITS TO MOUNT TO SPECIFIC COMPETITORS RACKS ARE AVAILABLE AS OPTIONS.

THIS DRAWING AND SPECIFICATIONS HEREIN ARE THE PROPERTY OF SCHNEIDER ELECTRIC AND SHALL NOT BE COPIED, REPRODUCED OR USED IN WHOLE OR IN PART, AS THE BASIS FOR THE MANUFACTURE OR SALE OF ITEMS WITHOUT WRITTEN PERMISSION FROM SCHNEIDER ELECTRIC. THIS DRAWING IS BASED UPON LATEST AVAILABLE INFORMATION AND IS SUBJECT TO CHANGE WITHOUT NOTICE.



TITLE:  
RACK PDU, METERED, ZERO U  
INPUT: 10A, 200-250V, IEC-320 C14  
OUTPUT: (16) IEC 320 C13  
GENERAL ARRANGEMENT  
PROJECT: DRAWINGS SHEET 1 OF 1

DWG NO:	AP7850B	REV:	0
DRAWN BY:	JAYAPRAKASH	14-DEC-16	THIRD
ENGINEER:	KATIE RICK	14-DEC-16	ANGLE
APPROVED BY:	KATIE RICK	14-DEC-16	PROJECTION