

FRONT VIEW WITHOUT CORD RETENTION BRACKET (ENLARGED VIEW)

- NOTES:
1. INSTALLATION SHALL COMPLY WITH ALL APPLICABLE NATIONAL, STATE AND LOCAL ELECTRICAL REGULATIONS.
  2. REFER TO PRODUCT DOCUMENTATION FOR ADDITIONAL DETAILS PRIOR TO INSTALLATION AND SITE PREPARATION WORK
  3. ALL DIMENSIONS ARE IN INCHES [MILLIMETERS].
  4. NET WEIGHT OF UNIT IS 7.40 lb [3.36kg].
  - △ 5. LENGTH OF CORD IS 144 Inches [3658mm].

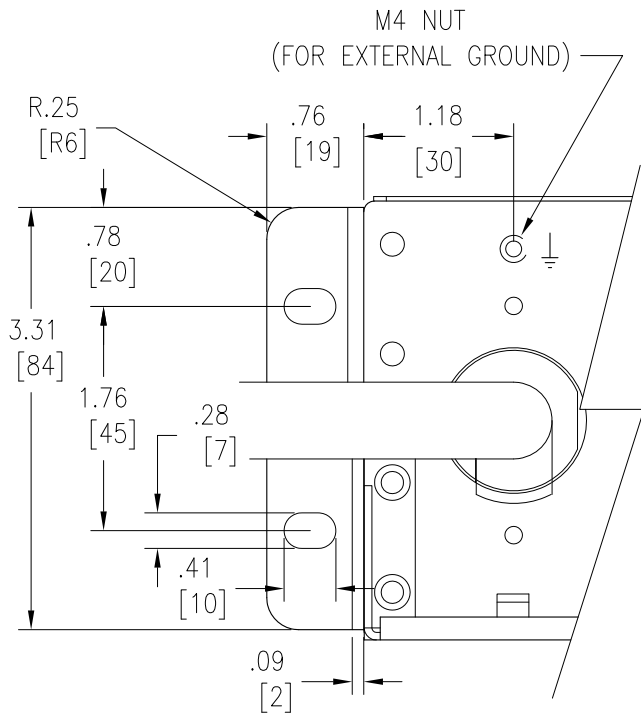
THIS DRAWING AND SPECIFICATIONS HEREIN ARE THE PROPERTY OF SCHNEIDER ELECTRIC AND SHALL NOT BE COPIED, REPRODUCED OR USED IN WHOLE OR IN PART, AS THE BASIS FOR THE MANUFACTURE OR SALE OF ITEMS WITHOUT WRITTEN PERMISSION FROM SCHNEIDER ELECTRIC. THIS DRAWING IS BASED UPON LATEST AVAILABLE INFORMATION AND IS SUBJECT TO CHANGE WITHOUT NOTICE.



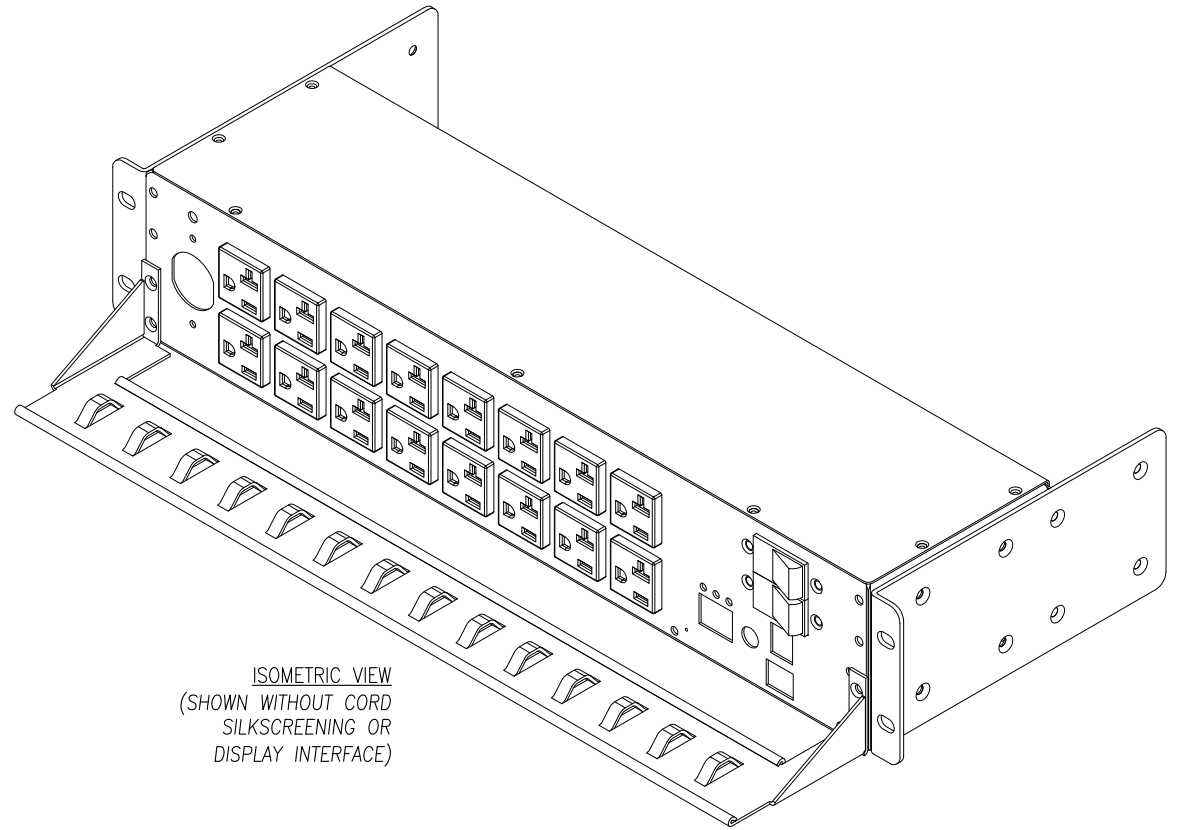
TITLE: RACK PDU, METERED, 2U  
120V, 30A  
INPUT: NEMA L5-30P, 12FT CORD  
OUTPUT: (16) NEMA 5-20R  
GENERAL ARRANGEMENT

PROJECT: DRAWINGS SHEET 1 OF 2

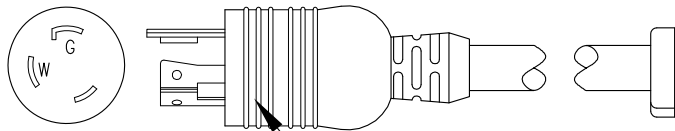
DWG NO:	AP7802B	REV.	0
DRAWN BY:	JAYAPRAKASH	24-AUG-16	THIRD
ENGINEER:	KATIE RICK	14-NOV-16	ANGLE
APPROVED BY:	KATIE RICK	14-NOV-16	PROJECTION



VIEW A

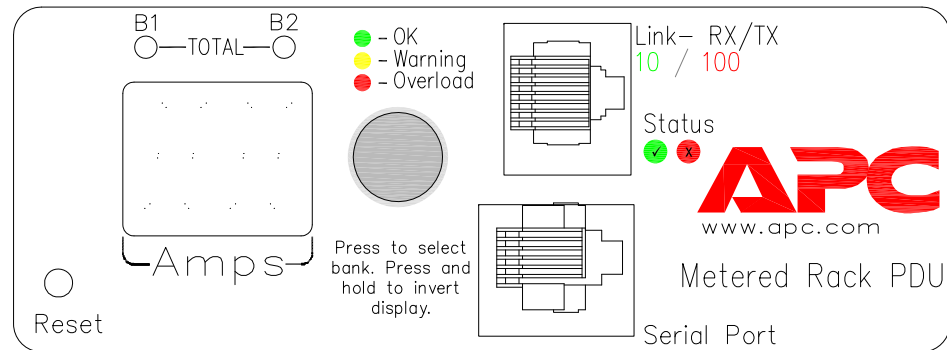


ISOMETRIC VIEW  
(SHOWN WITHOUT CORD  
SILKSCREENING OR  
DISPLAY INTERFACE)



NEMA L5-30P

VIEW B



VIEW C  
(DISPLAY INTERFACE-ENLARGED)

NOTES:

1. INSTALLATION SHALL COMPLY WITH ALL APPLICABLE NATIONAL, STATE AND LOCAL CODES.
2. REFER TO PRODUCT DOCUMENTATION FOR ADDITIONAL DETAILS PRIOR TO INSTALLATION AND SITE PREPARATION WORK.
3. ALL DIMENSIONS ARE IN INCHES [MILLIMETERS].

THIS DRAWING AND SPECIFICATIONS HEREIN ARE THE PROPERTY OF SCHNEIDER ELECTRIC AND SHALL NOT BE COPIED, REPRODUCED OR USED IN WHOLE OR IN PART, AS THE BASIS FOR THE MANUFACTURE OR SALE OF ITEMS WITHOUT WRITTEN PERMISSION FROM SCHNEIDER ELECTRIC. THIS DRAWING IS BASED UPON LATEST AVAILABLE INFORMATION AND IS SUBJECT TO CHANGE WITHOUT NOTICE.



TITLE: RACK PDU, METERED, 2U  
120V, 30A  
INPUT: NEMA L5-30P, 12FT CORD  
OUTPUT: (16) NEMA 5-20R  
ISOMETRIC & DETAIL VIEWS

PROJECT: DRAWINGS SHEET 2 OF 2

DWG NO:	AP7802B	REV.	0
DRAWN BY:	JAYAPRAKASH	24-AUG-16	THIRD
ENGINEER:	KATIE RICK	14-NOV-16	ANGLE
APPROVED BY:	KATIE RICK	14-NOV-16	PROJECTION