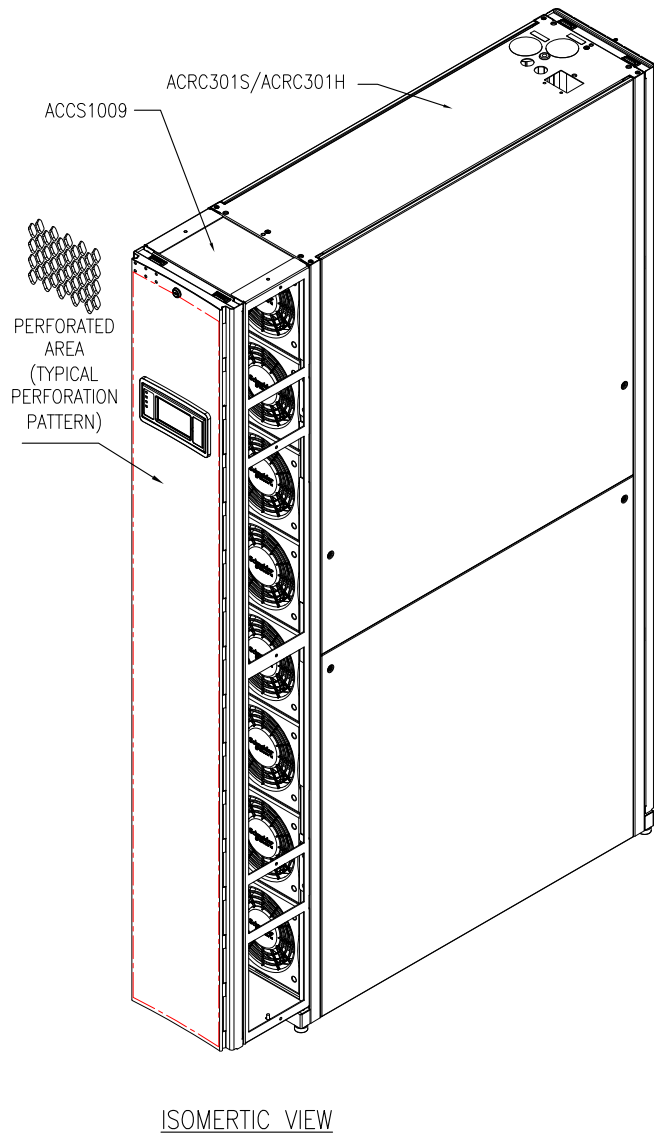
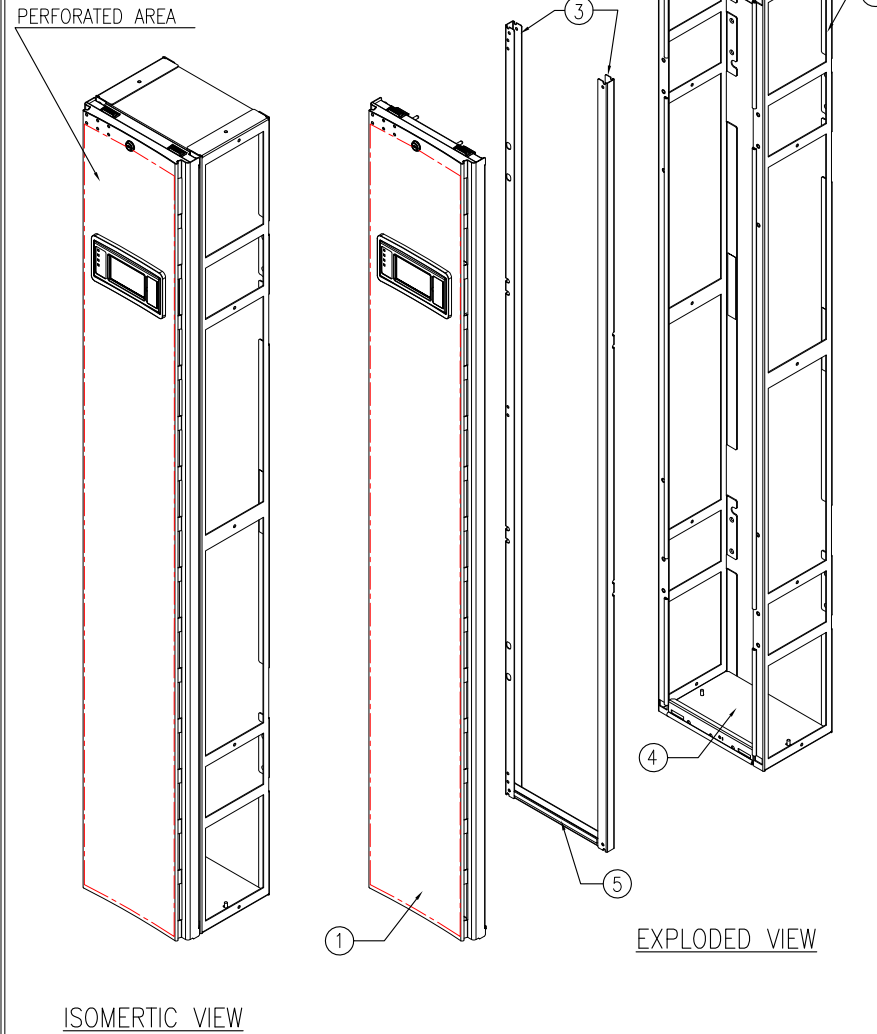


ASSEMBLY: TYPICAL ARRANGEMENT

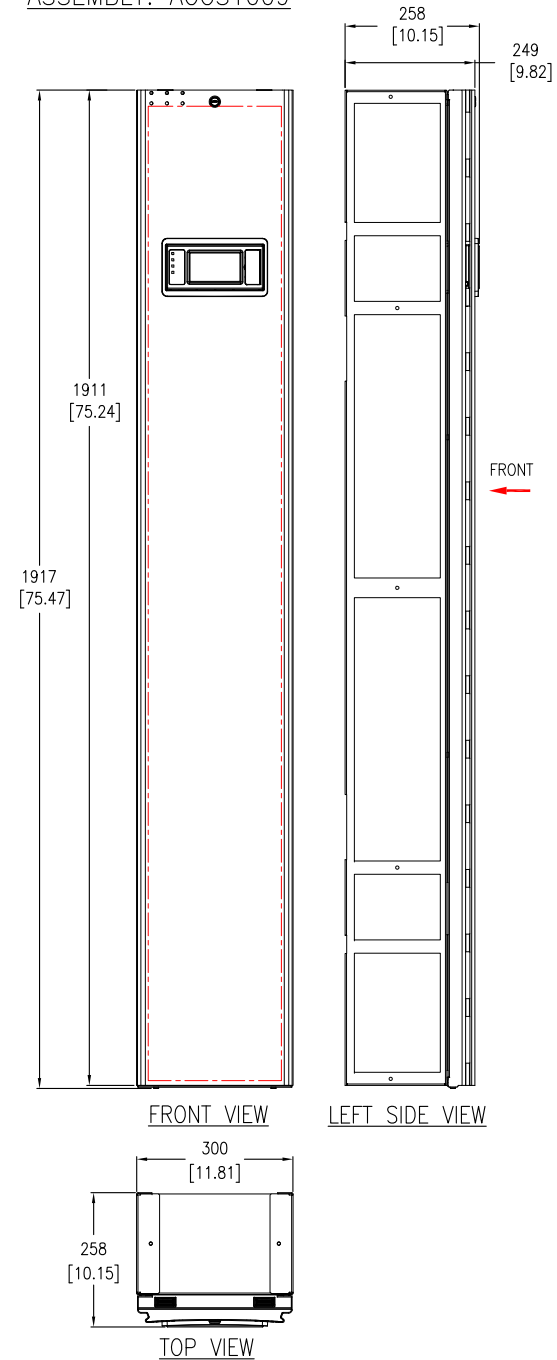


ASSEMBLY: ACCS1009



ITEM	DESCRIPTION	QTY.
1	FRONT INSERT	1
2	SIDE PLENUM	2
3	SIDE RETAINER INSET	2
4	TOP/BOTTOM PLENUM	2
5	BOTTOM RETAINER INSERT	1

ASSEMBLY: ACCS1009



- NOTES:
1. INSTALLATION SHALL COMPLY WITH ALL APPLICABLE NATIONAL, STATE AND LOCAL ELECTRICAL REGULATIONS.
 2. REFER TO PRODUCT DOCUMENTATION FOR ADDITIONAL DETAILS PRIOR TO INSTALLATION AND SITE PREPARATION WORK.
 3. ALL DIMENSIONS ARE IN MILLIMETERS [INCHES].
 4. THE WEIGHT OF THE UNIT IS 13.64 kg [30 lb].

THIS DRAWING AND SPECIFICATIONS HEREIN ARE THE PROPERTY OF SCHNEIDER ELECTRIC AND SHALL NOT BE COPIED, REPRODUCED OR USED IN WHOLE OR IN PART, AS THE BASIS FOR THE MANUFACTURE OR SALE OF ITEMS WITHOUT WRITTEN PERMISSION FROM SCHNEIDER ELECTRIC. THIS DRAWING IS BASED UPON LATEST AVAILABLE INFORMATION AND IS SUBJECT TO CHANGE WITHOUT NOTICE.



TITLE:
RACK AIR CONTAINMENT
FRONT ASSEMBLY FOR ACRC301S/ACRC301H
TYPICAL ARRANGEMENT & ASSEMBLY

PROJECT: SUBMITTAL DRAWING SHEET 1 OF 3

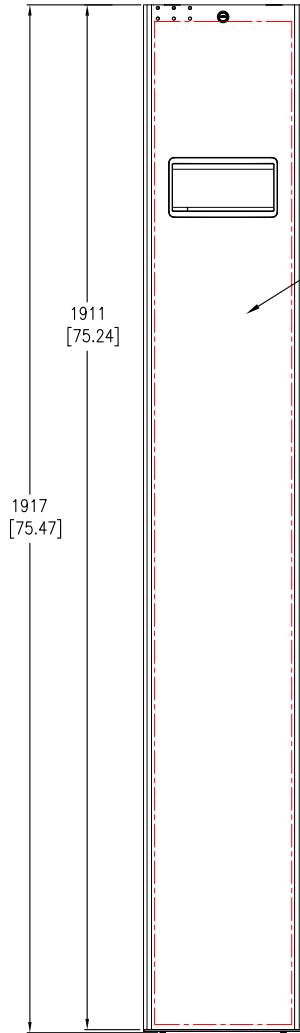
DWG NO: ACCS1009 REV. 0

DRAWN: JAYAPRAKASH	14-APR-16	FIRST ANGLE PROJECTION
ENGINEER: XUXIANG/PAN GAO	20-APR-16	
APPROVED: NICK SCHWEISSGUTH	20-APR-16	

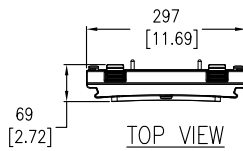
FRONT INSERT



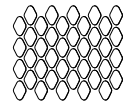
ISOMERTIC VIEW



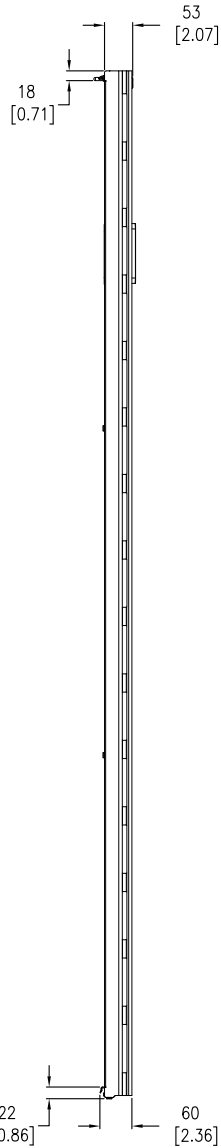
FRONT VIEW



TOP VIEW

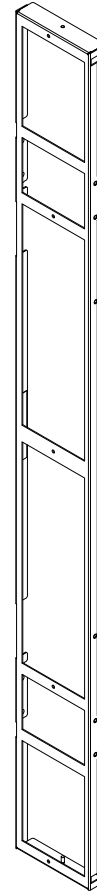


PERFORATED AREA
(TYPICAL PERFORATION PATTERN)

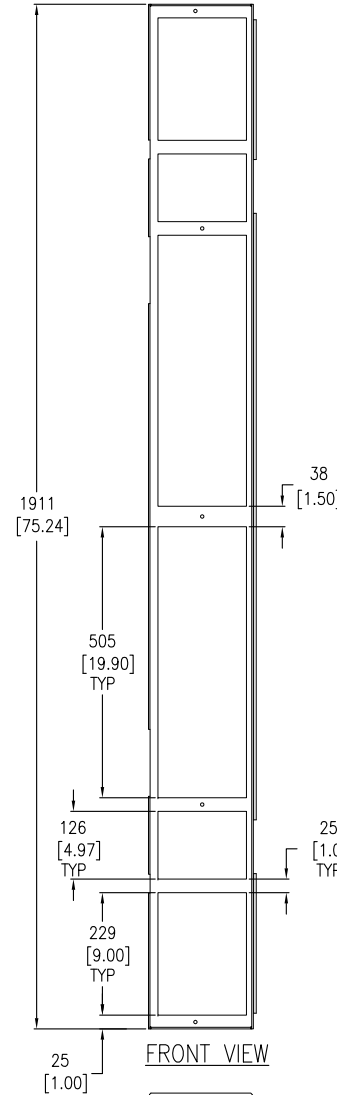


LEFT SIDE VIEW

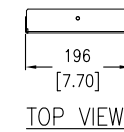
SIDE PLENUM



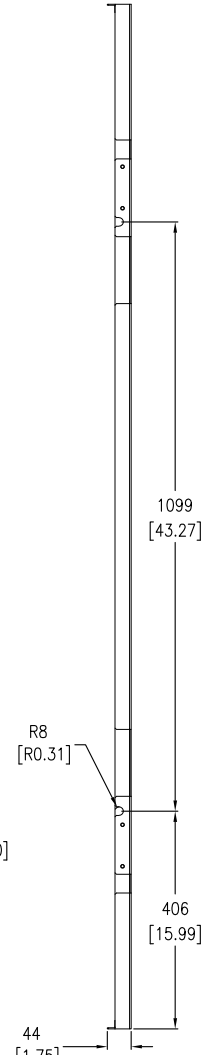
ISOMERTIC VIEW



FRONT VIEW



TOP VIEW



LEFT SIDE VIEW

- NOTES:
1. INSTALLATION SHALL COMPLY WITH ALL APPLICABLE NATIONAL, STATE AND LOCAL ELECTRICAL REGULATIONS.
 2. REFER TO PRODUCT DOCUMENTATION FOR ADDITIONAL DETAILS PRIOR TO INSTALLATION AND SITE PREPARATION WORK.
 3. ALL DIMENSIONS ARE IN MILLIMETERS [INCHES].

THIS DRAWING AND SPECIFICATIONS HEREIN ARE THE PROPERTY OF SCHNEIDER ELECTRIC AND SHALL NOT BE COPIED, REPRODUCED OR USED IN WHOLE OR IN PART, AS THE BASIS FOR THE MANUFACTURE OR SALE OF ITEMS WITHOUT WRITTEN PERMISSION FROM SCHNEIDER ELECTRIC. THIS DRAWING IS BASED UPON LATEST AVAILABLE INFORMATION AND IS SUBJECT TO CHANGE WITHOUT NOTICE.



TITLE:
RACK AIR CONTAINMENT
FRONT ASSEMBLY FOR ACRC301S/ACRC301H
FRONT INSERT & SIDE PLENUM

PROJECT: SUBMITTAL DRAWING | SHEET 2 OF 3

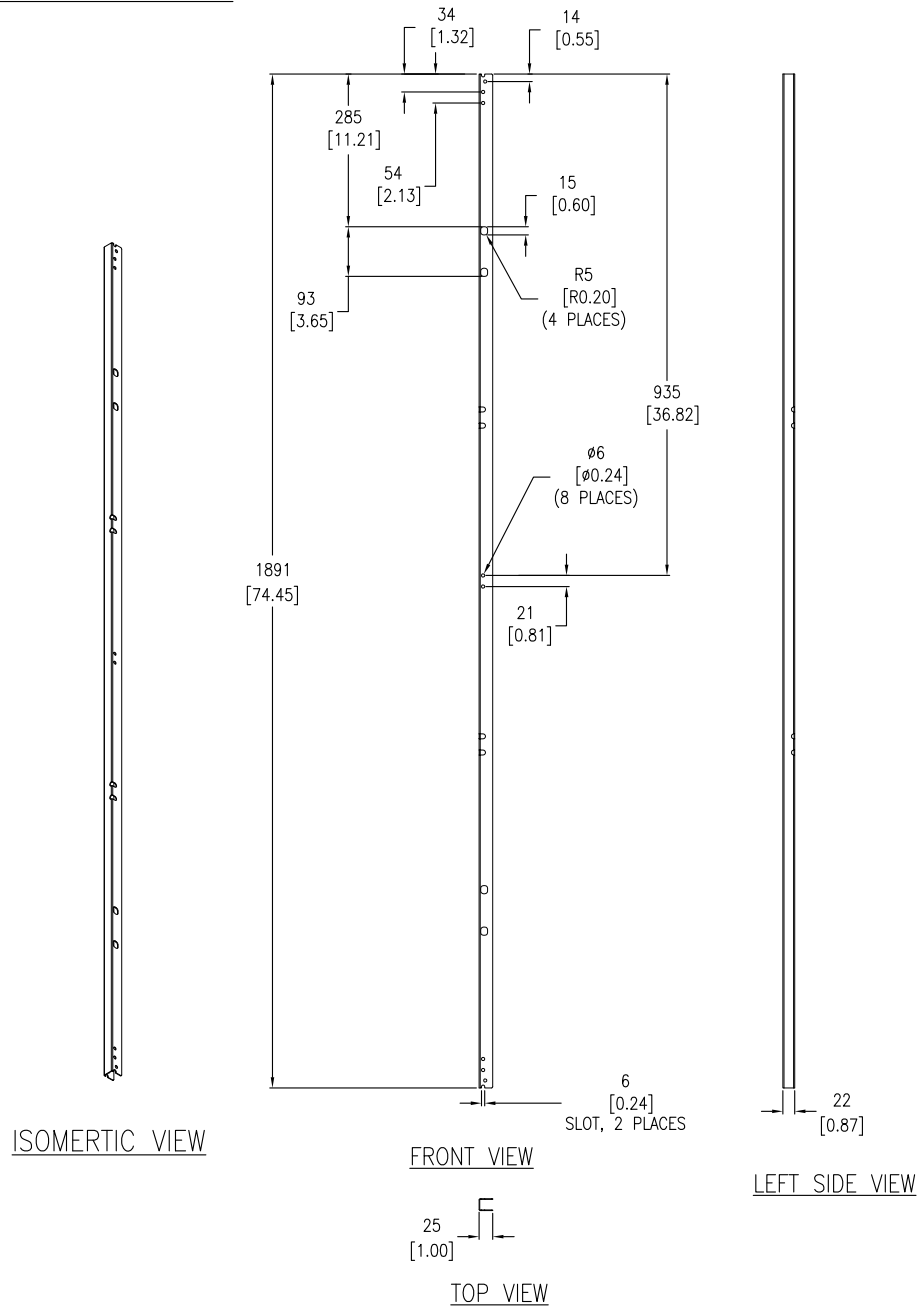
DWG NO: ACCS1009

REVISION: 0

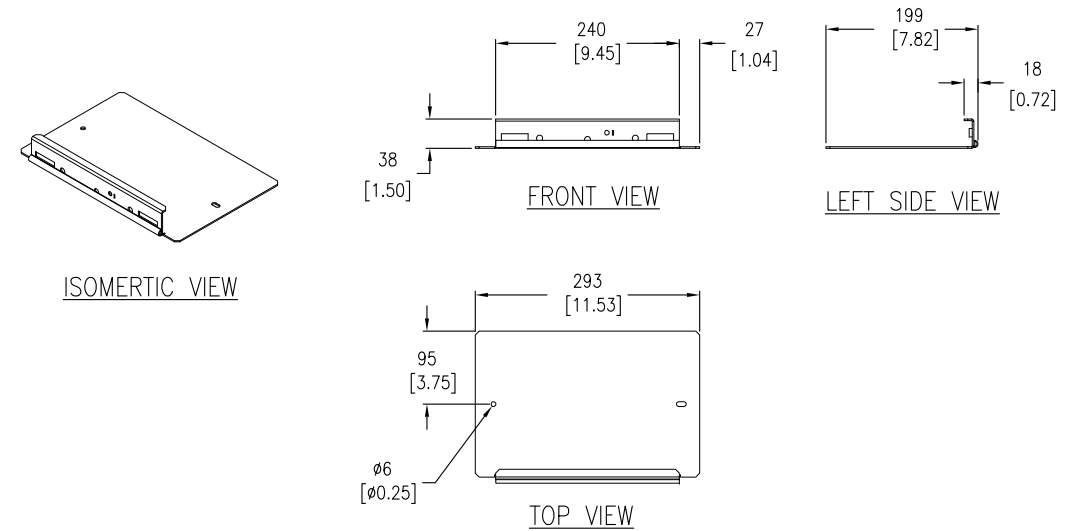
DRAWN: JAYAPRAKASH	14-APR-16
ENGINEER: XUXIANG/PAN GAO	20-APR-16
APPROVED: NICK SCHWEISSGUTH	20-APR-16

FIRST ANGLE PROJECTION

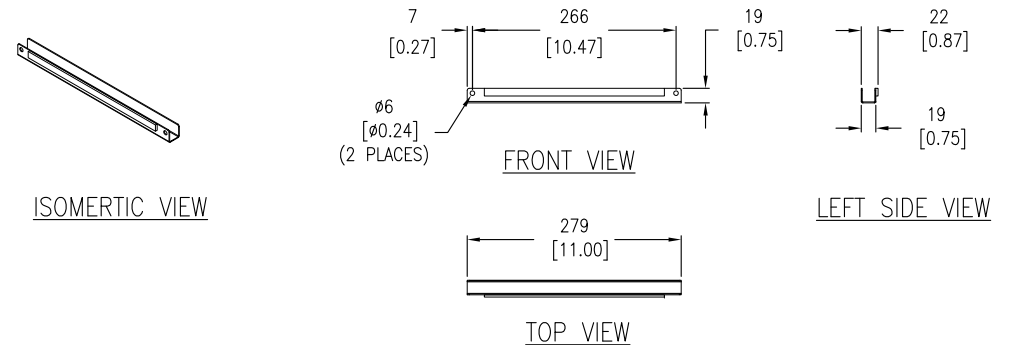
SIDE RETAINER INSERT



TOP/BOTTOM PLENUM



BOTTOM RETAINER INSERT



- NOTES:**
1. INSTALLATION SHALL COMPLY WITH ALL APPLICABLE NATIONAL, STATE AND LOCAL ELECTRICAL REGULATIONS.
 2. REFER TO PRODUCT DOCUMENTATION FOR ADDITIONAL DETAILS PRIOR TO INSTALLATION AND SITE PREPARATION WORK.
 3. ALL DIMENSIONS ARE IN MILLIMETERS [INCHES].

THIS DRAWING AND SPECIFICATIONS HEREIN ARE THE PROPERTY OF SCHNEIDER ELECTRIC AND SHALL NOT BE COPIED, REPRODUCED OR USED IN WHOLE OR IN PART, AS THE BASIS FOR THE MANUFACTURE OR SALE OF ITEMS WITHOUT WRITTEN PERMISSION FROM SCHNEIDER ELECTRIC. THIS DRAWING IS BASED UPON LATEST AVAILABLE INFORMATION AND IS SUBJECT TO CHANGE WITHOUT NOTICE.



TITLE:
 RACK AIR CONTAINMENT
 FRONT ASSEMBLY FOR ACRC301S/ACRC301H
 SIDE RETAINER INSERT, BOTTOM RETAINER INSERT
 AND TOP/BOTTOM PLENUM
 PROJECT: SUBMITTAL DRAWING | SHEET 3 OF 3

DWG NO: ACCS1009
 DRAWN: JAYAPRAKASH 14-APR-16
 ENGINEER: XUXIANG/PAN GAO 20-APR-16
 APPROVED: NICK SCHWEISSGUTH 20-APR-16

REV: 0
 ANGLE PROJECTION
 N.A.