

NOTES:

1. INSTALLATION SHALL COMPLY WITH ALL APPLICABLE NATIONAL, STATE AND LOCAL ELECTRICAL REGULATIONS.
2. REFER TO PRODUCT DOCUMENTATION FOR ADDITIONAL DETAILS PRIOR TO INSTALLATION AND SITE PREPARATION WORK.
3. ALL DIMENSIONS ARE IN MILLIMETERS [INCHES].
4. WEIGHT OF SEISMIC KIT, SYOPT015 IS 1.93 kg [4.25 lb].
5. BRACKETS MUST BE ANCHORED TO THE FLOOR WITH 1/2" GRADE 4, OR M12 8.8 HARDWARE. FLOOR MOUNTING HARDWARE NOT PROVIDED.
6. SEISMIC QUALIFICATION OF NON-STRUCTURAL COMPONENT BY SCHNEIDER ELECTRIC IS JUST ONE LINK IN THE TOTAL CHAIN OF RESPONSIBILITY REQUIRED TO MAXIMIZE THE PROBABILITY THAT THE EQUIPMENT WILL BE INTACT AND FUNCTIONAL AFTER A SEISMIC EVENT. DURING A SEISMIC EVENT THE EQUIPMENT MUST BE ABLE TO TRANSFER THE LOADS THAT ARE CREATED THROUGH THE MOUNTING AND ANCHORAGE TO THE LOAD-BEARING PATH OF THE BUILDING STRUCTURAL SYSTEM. ANCHORAGE OF THE EQUIPMENT TO THE PRIMARY BUILDING STRUCTURE IS REQUIRED TO VALIDATE THE SEISMIC CERTIFICATION. THE STRUCTURAL ENGINEER OR DESIGN ENGINEER OF RECORD IS RESPONSIBLE FOR DETAILING THE EQUIPMENT ANCHORAGE REQUIREMENTS FOR THE GIVEN INSTALLATION. THE INSTALLER AND MANUFACTURERS OF THE ANCHORAGE SYSTEM ARE RESPONSIBLE FOR ASSURING THAT THE MOUNTING REQUIREMENTS ARE MET. SCHNEIDER ELECTRIC IS NOT RESPONSIBLE FOR THE SPECIFICATION AND PERFORMANCE OF THE ANCHORAGE SYSTEMS. ALL FLOOR MOUNTED BRACKETS ARE PROVIDED WITH HOLES FOR 1/2" DIAMETER HARDWARE. FLOOR MOUNTING HARDWARE ARE NOT PROVIDED.

SEISMIC KIT SKU	APPLICABLE SKUs
<u>SYOPT015:</u> SEISMIC KIT FOR SYMMETRA PX20 AND 40/60kVA INFRASTRUXURE PDUs	PD40F6FK1-M PD40G6FK1-M PD40L6FK1-M PD60F6FK1 PD60G6FK1 PD60L6FK1 PDRPPNX10 PDRPPNX10-M PD60H5HK1 PD40H5HK1-M

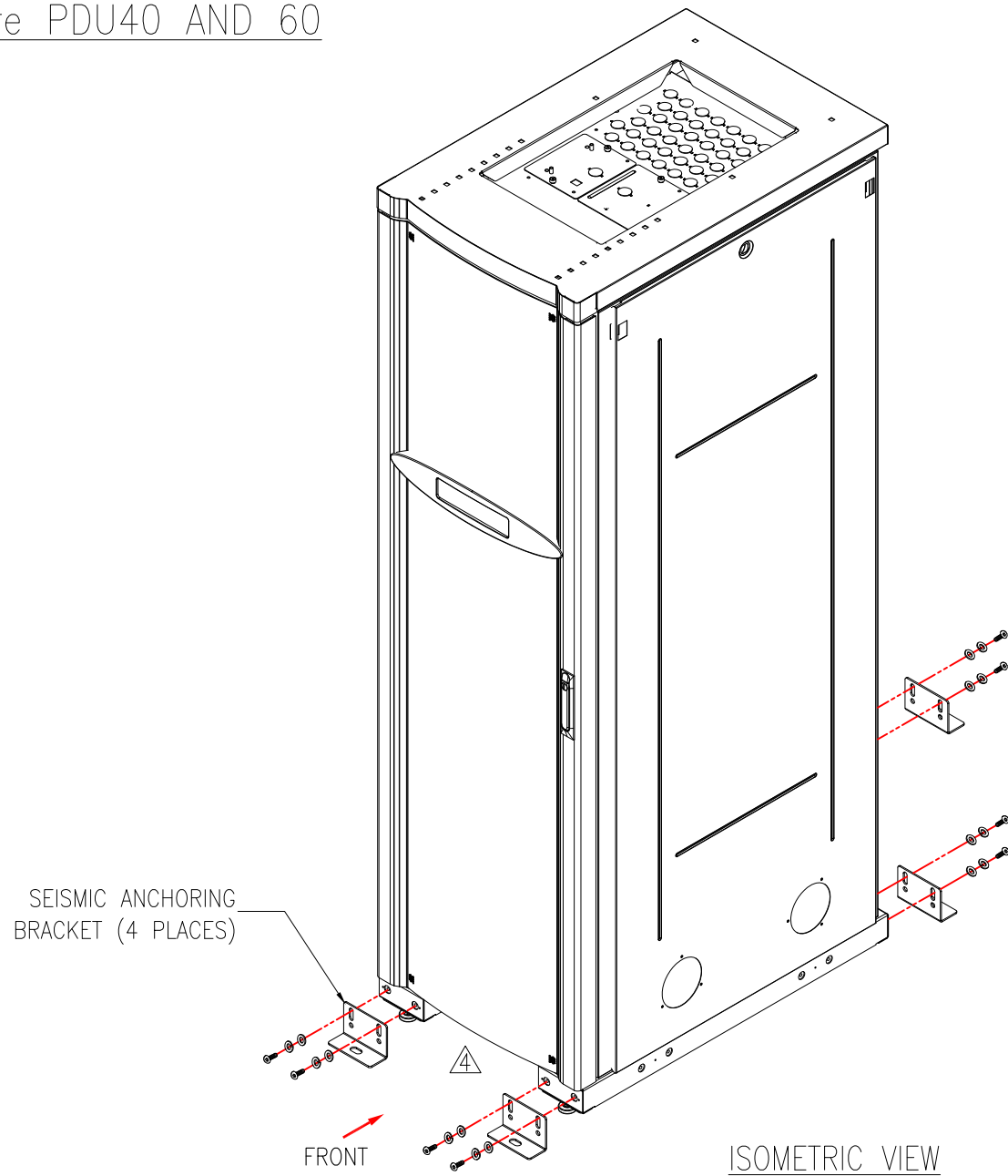
THIS DRAWING AND SPECIFICATIONS HEREIN ARE THE PROPERTY OF SCHNEIDER ELECTRIC AND SHALL NOT BE COPIED, REPRODUCED OR USED IN WHOLE OR IN PART, AS THE BASIS FOR THE MANUFACTURE OR SALE OF ITEMS WITHOUT WRITTEN PERMISSION FROM SCHNEIDER ELECTRIC. THIS DRAWING IS BASED UPON LATEST AVAILABLE INFORMATION AND IS SUBJECT TO CHANGE WITHOUT NOTICE.



TITLE: InfraStruXure PDU PDU40 AND 60 SEISMIC ANCHORING NOTES AND TABLES
 PROJECT: SUBMITTAL DRAWINGS SHEET 1 OF 3

DWG NO:	PD40&60SEISMIC	REV:	0
DRAWN BY:	JAYAPRAKASH	22-SEP-15	ANGLE
ENGINEER:	FARRUKH SYED	24-SEP-15	PROJECTION
APPROVED BY:	ABBY COLLINS	24-SEP-15	N.A.

InfraStruXure PDU40 AND 60



SEISMIC ANCHORING BRACKET (4 PLACES)

FRONT

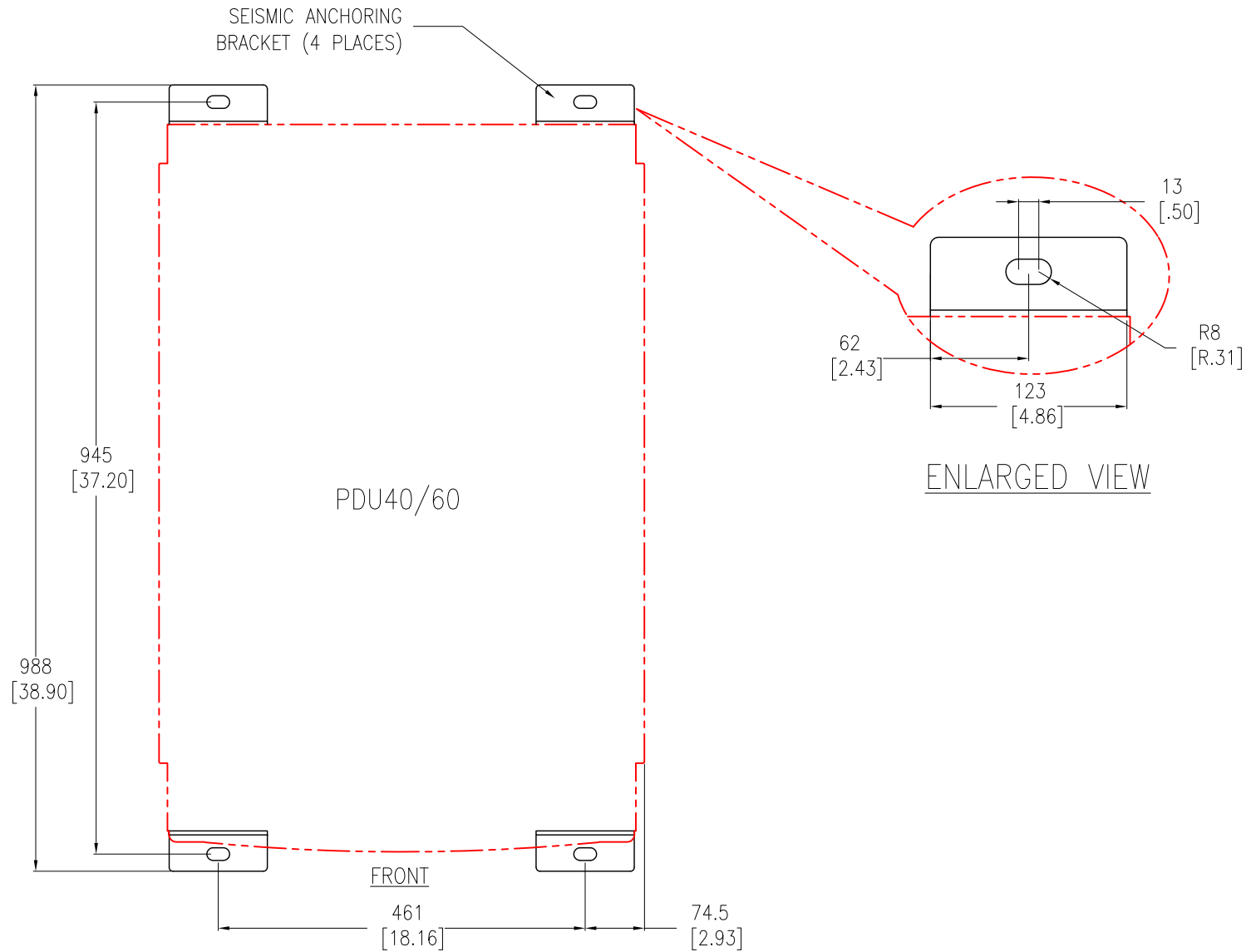
ISOMETRIC VIEW

- NOTES:**
1. INSTALLATION SHALL COMPLY WITH ALL APPLICABLE NATIONAL, STATE AND LOCAL ELECTRICAL REGULATIONS.
 2. REFER TO PRODUCT DOCUMENTATION FOR ADDITIONAL DETAILS PRIOR TO INSTALLATION AND SITE PREPARATION WORK.
 3. ALL DIMENSIONS ARE IN MILLIMETERS [INCHES].
 - △4. THE BRACKET INSTALLATION HOLES ARE BEHIND A COVER THAT NEEDS TO BE REMOVED. REFER TO STEP-A IN INSTALLATION MANUAL:990-5113 FOR DETAILS.

THIS DRAWING AND SPECIFICATIONS HEREIN ARE THE PROPERTY OF SCHNEIDER ELECTRIC AND SHALL NOT BE COPIED, REPRODUCED OR USED IN WHOLE OR IN PART, AS THE BASIS FOR THE MANUFACTURE OR SALE OF ITEMS WITHOUT WRITTEN PERMISSION FROM SCHNEIDER ELECTRIC. THIS DRAWING IS BASED UPON LATEST AVAILABLE INFORMATION AND IS SUBJECT TO CHANGE WITHOUT NOTICE.



TITLE:	InfraStruXure PDU PDU40 AND 60 SEISMIC ANCHORING ISOMETRIC VIEWS	DWG NO:	PD40&60SEISMIC	REV:	0
PROJECT:	SUBMITTAL DRAWINGS	SHEET:	2 OF 3	APPROVED BY:	ABBY COLLINS
ENGINEER:	FARRUKH SYED	DATE:	24-SEP-15	PROJECTION:	ANGLE
DRAWN BY:	JAYAPRAKASH	DATE:	22-SEP-15	PROJECTION:	FIRST



MOUNTING HOLE LOCATIONS FOR ANCHORING BRACKETS

- NOTES:**
1. INSTALLATION SHALL COMPLY WITH ALL APPLICABLE NATIONAL, STATE AND LOCAL ELECTRICAL REGULATIONS.
 2. REFER TO PRODUCT DOCUMENTATION FOR ADDITIONAL DETAILS PRIOR TO INSTALLATION AND SITE PREPARATION WORK.
 3. ALL DIMENSIONS ARE IN MILLIMETERS [INCHES].

THIS DRAWING AND SPECIFICATIONS HEREIN ARE THE PROPERTY OF SCHNEIDER ELECTRIC AND SHALL NOT BE COPIED, REPRODUCED OR USED IN WHOLE OR IN PART, AS THE BASIS FOR THE MANUFACTURE OR SALE OF ITEMS WITHOUT WRITTEN PERMISSION FROM SCHNEIDER ELECTRIC. THIS DRAWING IS BASED UPON LATEST AVAILABLE INFORMATION AND IS SUBJECT TO CHANGE WITHOUT NOTICE.



TITLE: InfraStruXure PDU PDU40 AND 60 SEISMIC ANCHORING BRACKET DETAILS

PROJECT: SUBMITTAL DRAWINGS SHEET 3 OF 3

DWG NO:	PD40&60SEISMIC	REV.	0
DRAWN BY:	JAYAPRAKASH	22-SEP-15	FIRST ANGLE PROJECTION
ENGINEER:	FARRUKH SYED	24-SEP-15	
APPROVED BY:	ABBY COLLINS	24-SEP-15	