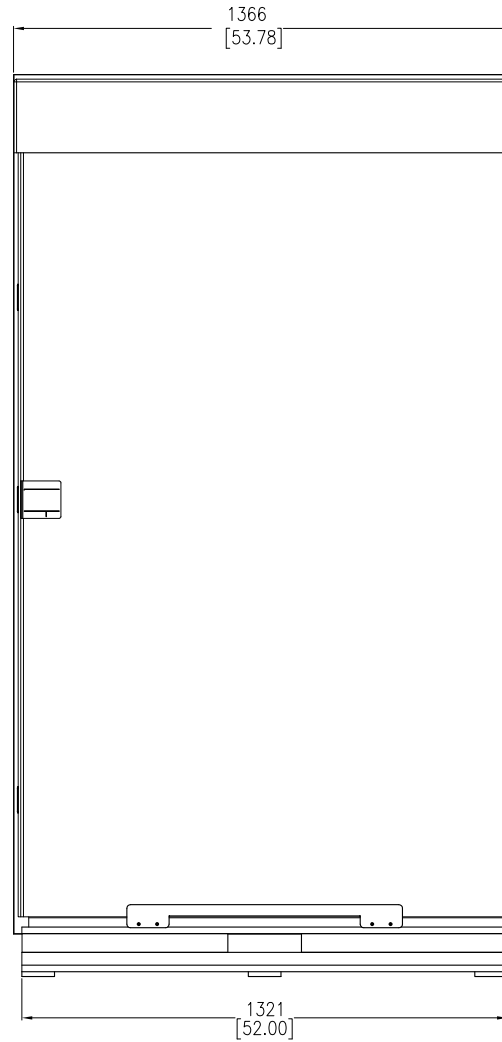
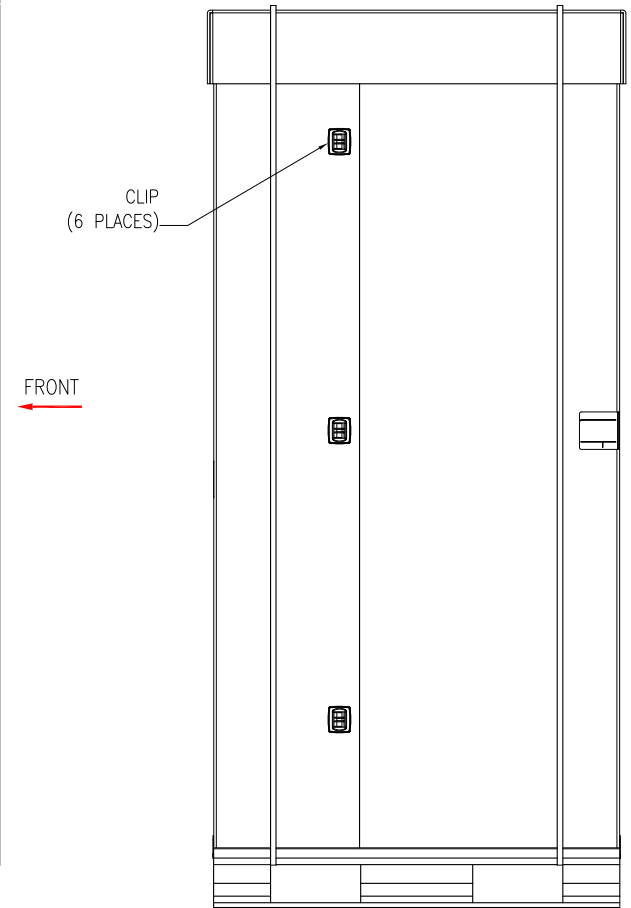


FRONT VIEW



LEFT SIDE VIEW



REAR VIEW

- NOTES:
1. INSTALLATION SHALL COMPLY WITH ALL APPLICABLE NATIONAL, STATE AND LOCAL ELECTRICAL REGULATIONS.
 2. REFER TO PRODUCT DOCUMENTATION FOR ADDITIONAL DETAILS PRIOR TO INSTALLATION AND SITE PREPARATION WORK.
 3. ALL DIMENSIONS ARE IN MILLIMETERS [INCHES].
 4. SHIPPING WEIGHT OF UNIT IS 302 kg [665 LBS].

THIS DRAWING AND SPECIFICATIONS HEREIN ARE THE PROPERTY OF SCHNEIDER ELECTRIC AND SHALL NOT BE COPIED, REPRODUCED OR USED IN WHOLE OR IN PART, AS THE BASIS FOR THE MANUFACTURE OR SALE OF ITEMS WITHOUT WRITTEN PERMISSION FROM SCHNEIDER ELECTRIC. THIS DRAWING IS BASED UPON LATEST AVAILABLE INFORMATION AND IS SUBJECT TO CHANGE WITHOUT NOTICE.

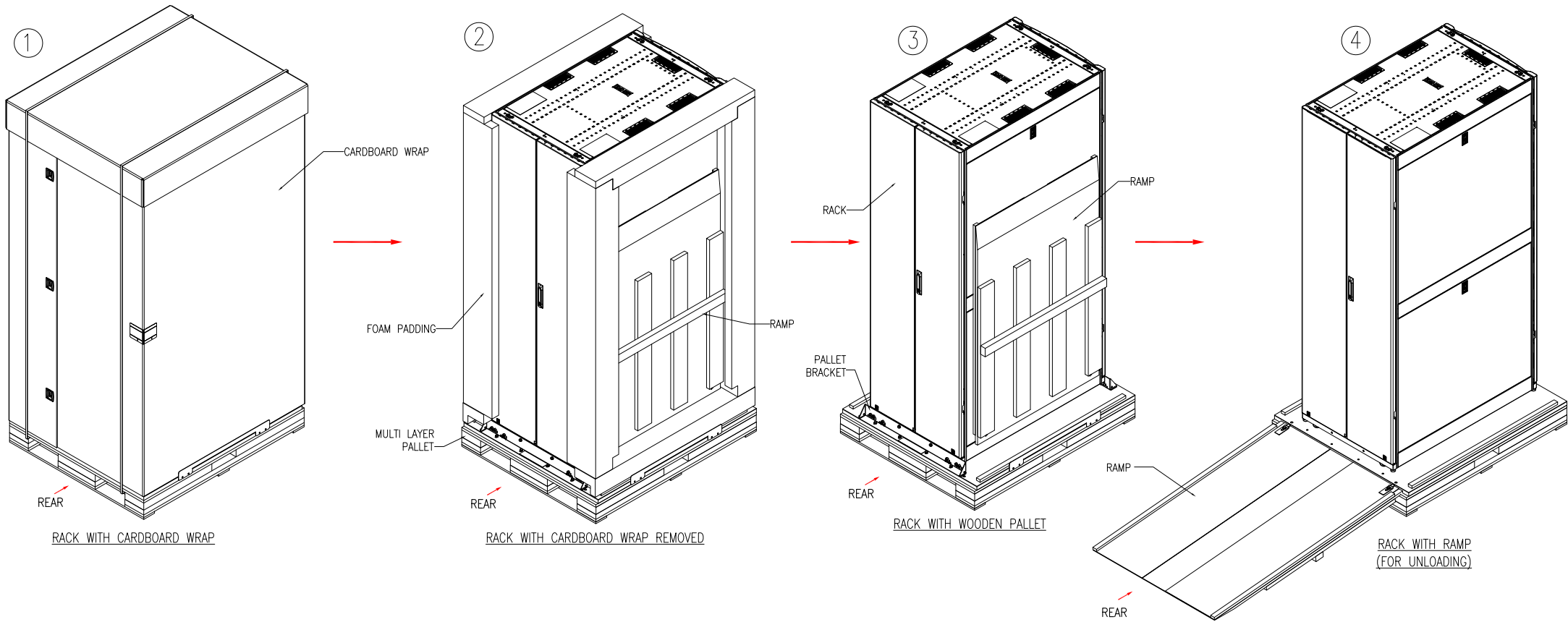


TITLE: NetShelter SX 48U ENCLOSURE WITH SIDES-SHOCK PACKAGING PACKING DETAILS
 PROJECT: SUBMITTAL DRAWINGS SHEET 1 OF 6

DWG NO: AR3357SP
 DRAWN BY: JAYAPRAKASH
 ENGINEER: D HUDSON/ R PHILLIPS
 APPROVED BY: GREG IVEY

REV: 0
 03-JULY-15
 06-JUL-15
 06-JUL-15
 FIRST ANGLE PROJECTION

UNPACKING AND UNLOADING STEPS



NOTES:
 1. INSTALLATION SHALL COMPLY WITH ALL APPLICABLE NATIONAL, STATE AND LOCAL ELECTRICAL REGULATIONS.
 2. REFER TO PRODUCT DOCUMENTATION FOR ADDITIONAL DETAILS PRIOR TO INSTALLATION AND SITE PREPARATION WORK.

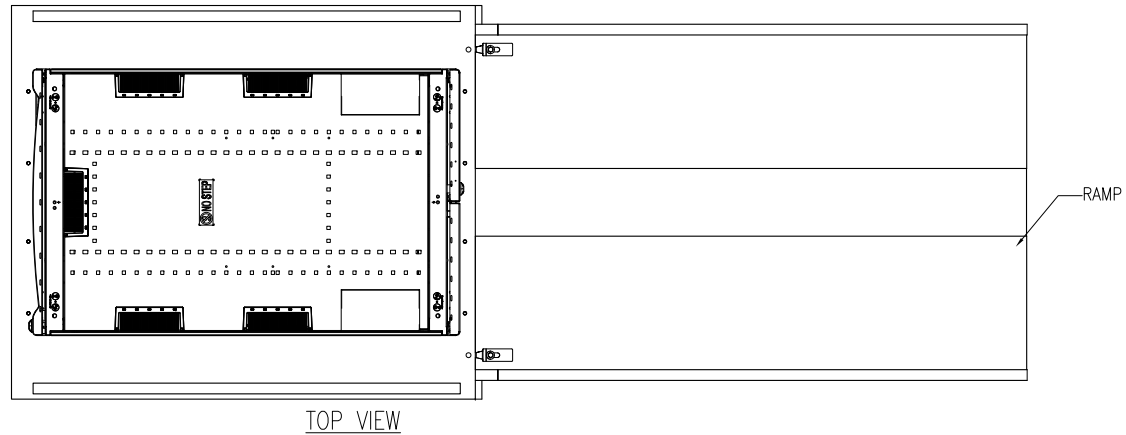
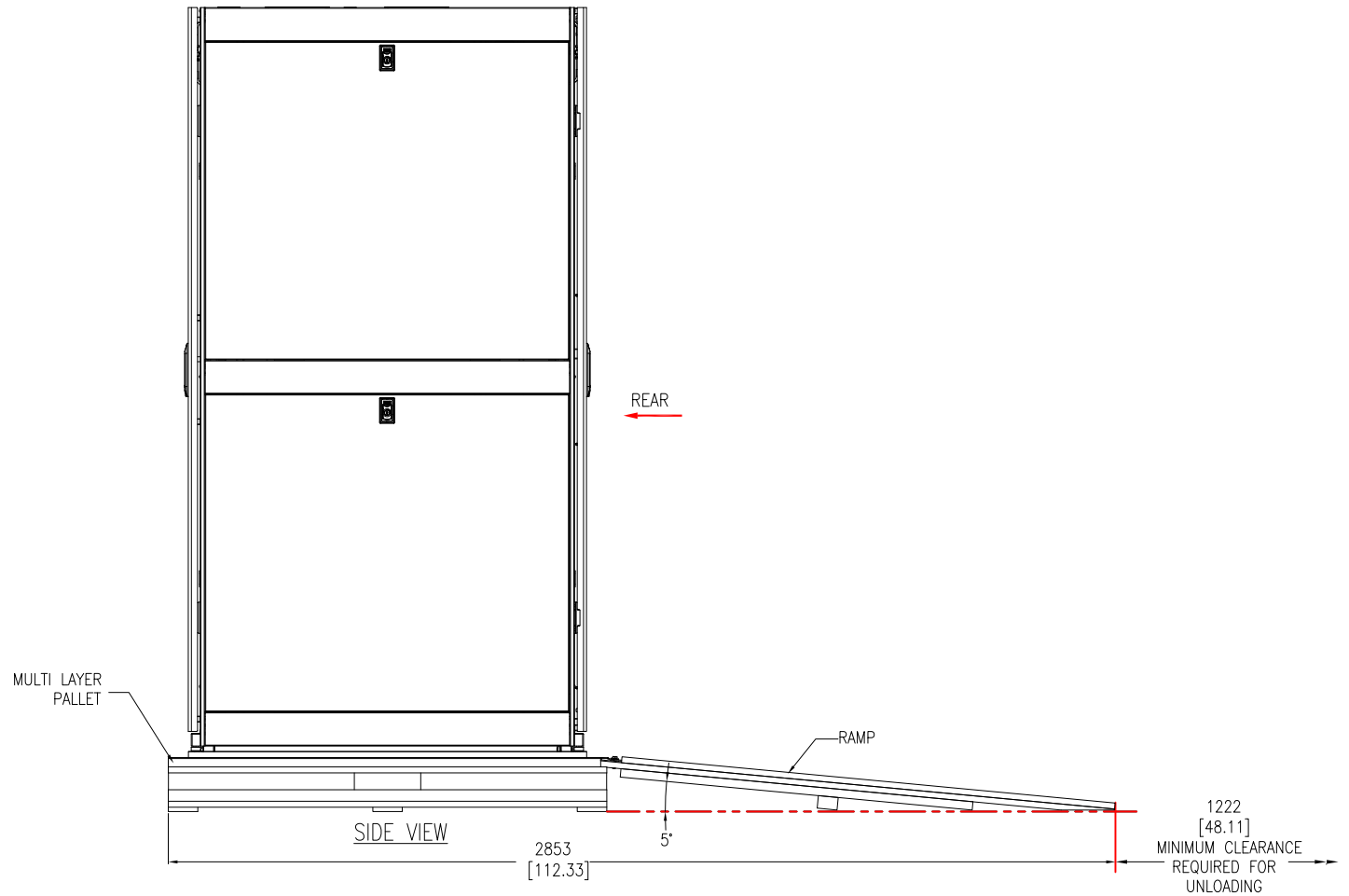
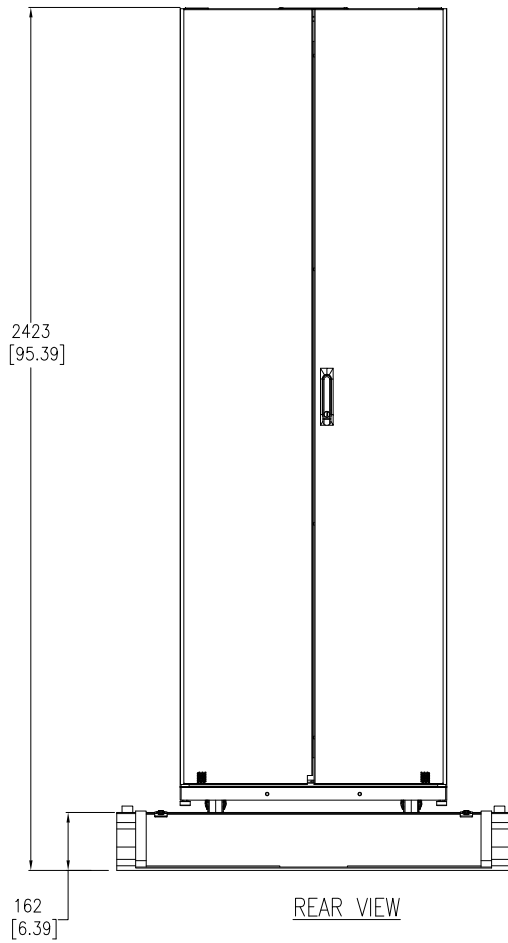
THIS DRAWING AND SPECIFICATIONS HEREIN ARE THE PROPERTY OF SCHNEIDER ELECTRIC AND SHALL NOT BE COPIED, REPRODUCED OR USED IN WHOLE OR IN PART, AS THE BASIS FOR THE MANUFACTURE OR SALE OF ITEMS WITHOUT WRITTEN PERMISSION FROM SCHNEIDER ELECTRIC. THIS DRAWING IS BASED UPON LATEST AVAILABLE INFORMATION AND IS SUBJECT TO CHANGE WITHOUT NOTICE.



TITLE: NetShelter SX 48U
 750mm WIDE X 1200mm DEEP
 ENCLOSURE WITH SIDES-SHOCK PACKAGING
 ISOMETRIC VIEWS
 PROJECT: SUBMITTAL DRAWINGS SHEET 2 OF 6

DWG NO: AR3357SP
 DRAWN BY: JAYAPRAKASH 14-JULY-17
 ENGINEER: JIE ZHU 14-JULY-17
 APPROVED BY: GREG IVEY 14-JULY-17

REV. 1
 FIRST ANGLE PROJECTION



- NOTES:
1. INSTALLATION SHALL COMPLY WITH ALL APPLICABLE NATIONAL, STATE AND LOCAL ELECTRICAL REGULATIONS.
 2. REFER TO PRODUCT DOCUMENTATION FOR ADDITIONAL DETAILS PRIOR TO INSTALLATION AND SITE PREPARATION WORK.
 3. ALL DIMENSIONS ARE IN MILLIMETERS [INCHES].

THIS DRAWING AND SPECIFICATIONS HEREIN ARE THE PROPERTY OF SCHNEIDER ELECTRIC AND SHALL NOT BE COPIED, REPRODUCED OR USED IN WHOLE OR IN PART, AS THE BASIS FOR THE MANUFACTURE OR SALE OF ITEMS WITHOUT WRITTEN PERMISSION FROM SCHNEIDER ELECTRIC. THIS DRAWING IS BASED UPON LATEST AVAILABLE INFORMATION AND IS SUBJECT TO CHANGE WITHOUT NOTICE.



TITLE: NetShelter SX 48U
ENCLOSURE WITH SIDES-SHOCK PACKAGING
UNLOADING DETAILS

PROJECT: SUBMITTAL DRAWINGS SHEET 3 OF 6

DWG NO: AR3357SP

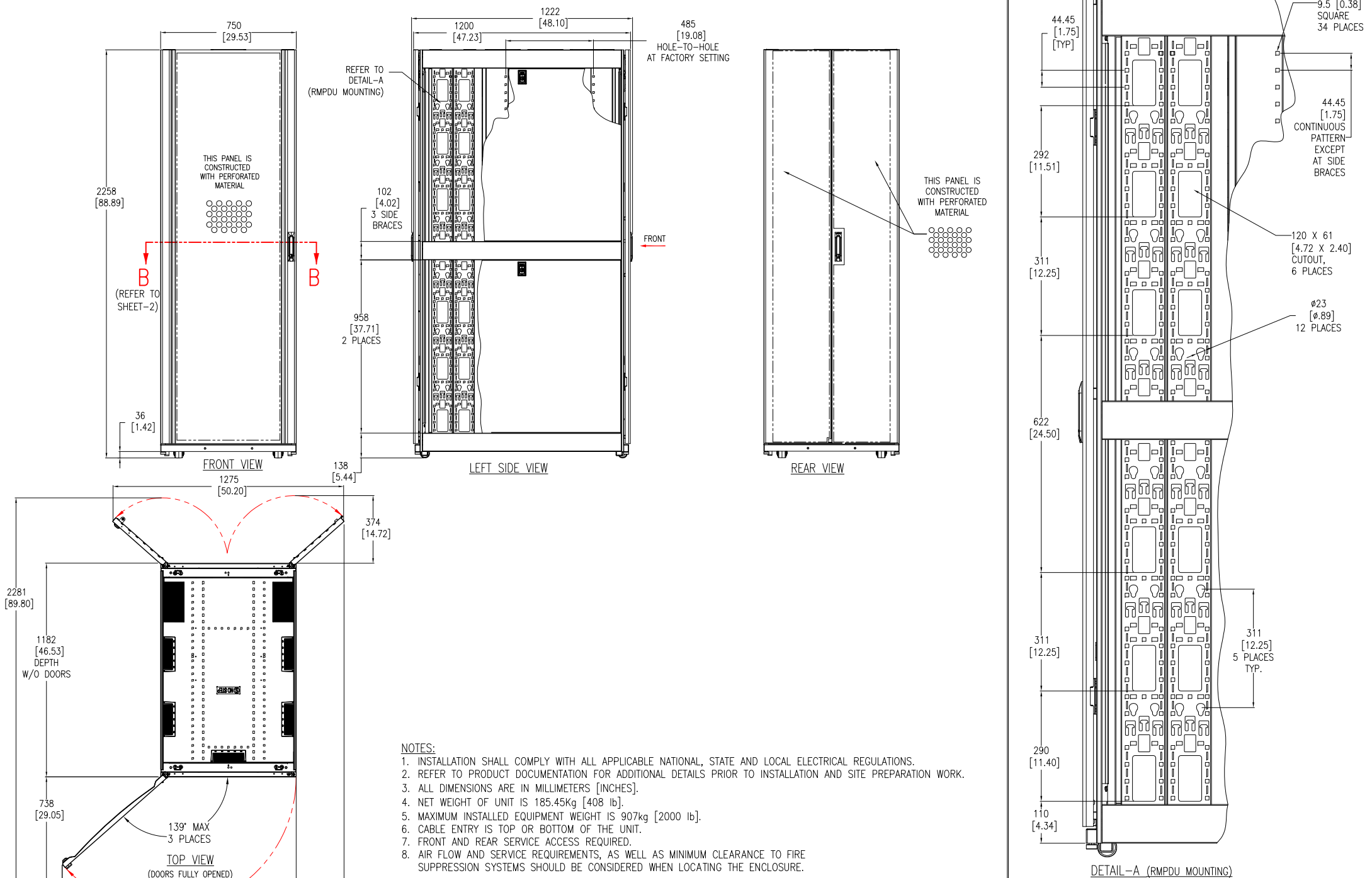
DRAWN BY: JAYAPRAKASH 14-JULY-17

ENGINEER: JIE ZHU 14-JULY-17

APPROVED BY: GREG IVEY 14-JULY-17

REV. 1

FIRST ANGLE PROJECTION

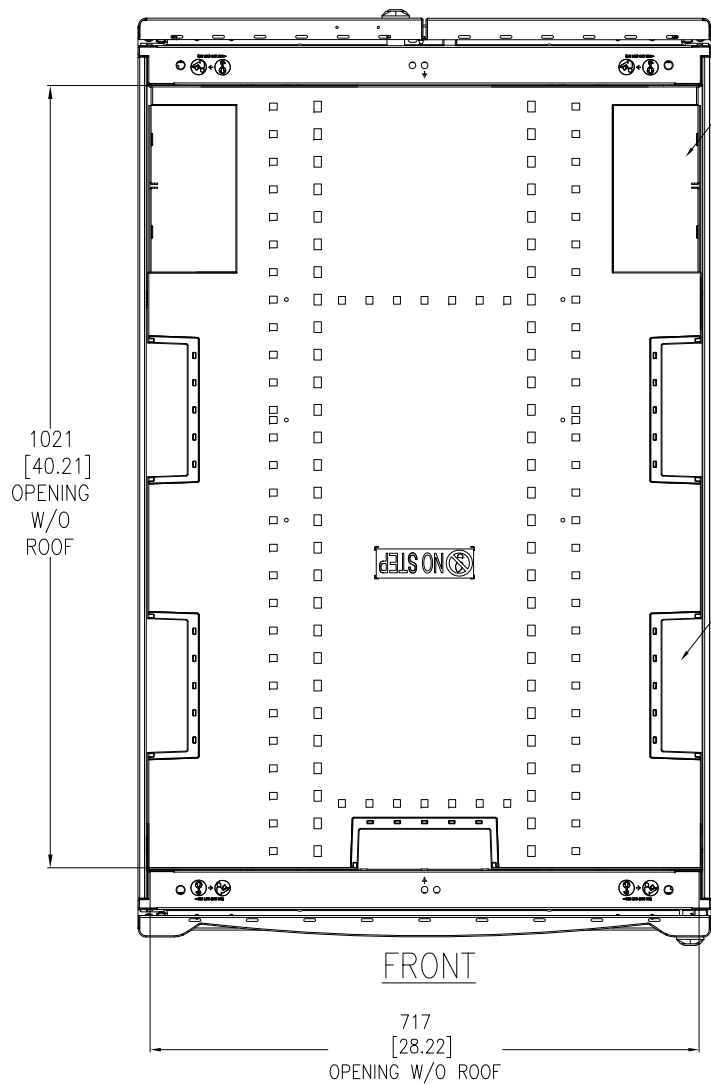


- NOTES:**
1. INSTALLATION SHALL COMPLY WITH ALL APPLICABLE NATIONAL, STATE AND LOCAL ELECTRICAL REGULATIONS.
 2. REFER TO PRODUCT DOCUMENTATION FOR ADDITIONAL DETAILS PRIOR TO INSTALLATION AND SITE PREPARATION WORK.
 3. ALL DIMENSIONS ARE IN MILLIMETERS [INCHES].
 4. NET WEIGHT OF UNIT IS 185.45kg [408 lb].
 5. MAXIMUM INSTALLED EQUIPMENT WEIGHT IS 907kg [2000 lb].
 6. CABLE ENTRY IS TOP OR BOTTOM OF THE UNIT.
 7. FRONT AND REAR SERVICE ACCESS REQUIRED.
 8. AIR FLOW AND SERVICE REQUIREMENTS, AS WELL AS MINIMUM CLEARANCE TO FIRE SUPPRESSION SYSTEMS SHOULD BE CONSIDERED WHEN LOCATING THE ENCLOSURE.

THIS DRAWING AND SPECIFICATIONS HEREIN ARE THE PROPERTY OF SCHNEIDER ELECTRIC AND SHALL NOT BE COPIED, REPRODUCED OR USED IN WHOLE OR IN PART, AS THE BASIS FOR THE MANUFACTURE OR SALE OF ITEMS WITHOUT WRITTEN PERMISSION FROM SCHNEIDER ELECTRIC. THIS DRAWING IS BASED UPON LATEST AVAILABLE INFORMATION AND IS SUBJECT TO CHANGE WITHOUT NOTICE.



TITLE:	NetShelter SX 48U 750mm WIDE X 1200mm DEEP ENCLOSURE WITH SIDES-SHOCK PACKAGING GENERAL ARRANGEMENT	DWG NO:	AR3357SP	REV:	1
PROJECT:	SUBMITTAL DRAWINGS	DRAWN BY:	JAYAPRAKASH	14-JULY-17	FIRST ANGLE
SHEET:	4 OF 6	ENGINEER:	JIE ZHU	14-JULY-17	PROJECTION
		APPROVED BY:	GREG IVEY	14-JULY-17	



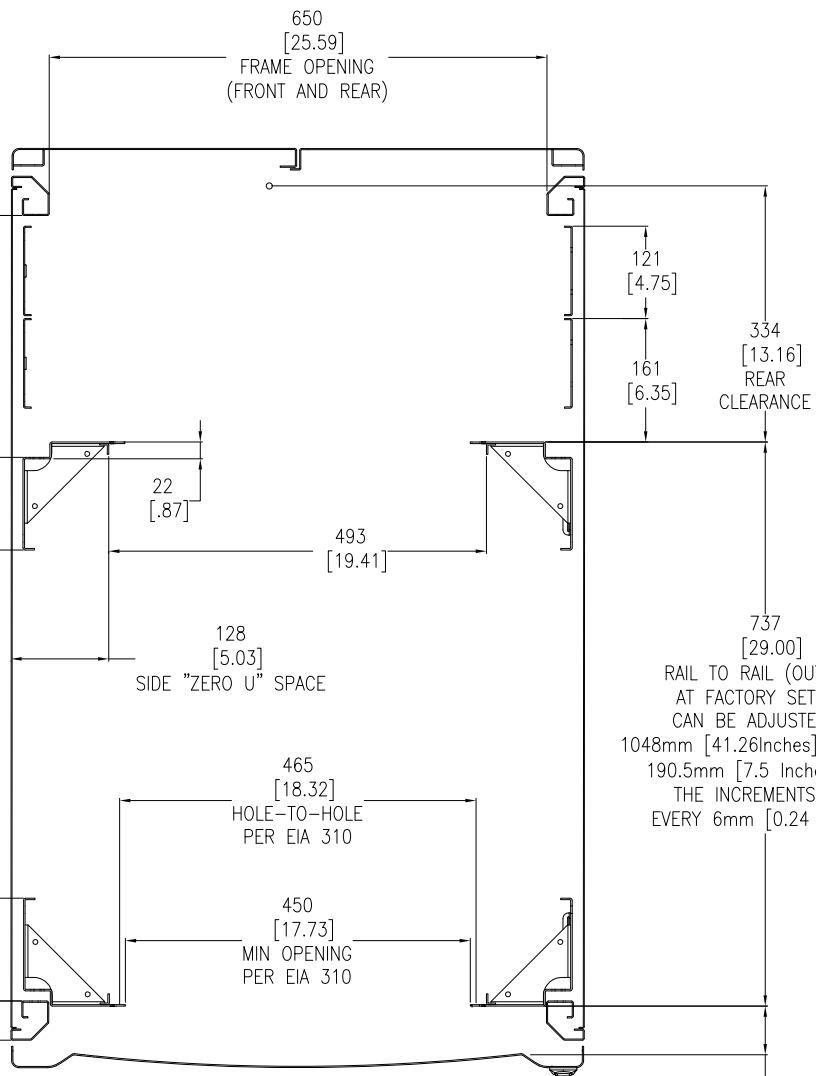
TOP VIEW
CABLE OPENINGS
(COVERS REMOVED)

220 [8.66] x 117 [4.61]
OPENING (2 PLACES)
BRUSHES ARE INCLUDED
AT EACH OF THE 2
OPENINGS.

171 [6.73] x 51 [2.02]
OPENING (5 PLACES)
BRUSHES ARE INCLUDED
AT EACH OF THE 5
OPENINGS.

1026
[40.38]
OPENING
BETWEEN
FRAME
VERTICALS

51
[2.01]
FRAME
VERTICAL



SECTION B-B
STANDARD POSITIONS FOR
MOUNTING RAILS AND
THEIR ADJUSTABILITY
(LOOKING DOWN)

64
[2.50]
FRONT BEZEL
CLEARANCE
CAN BE ADJUSTED TO
915mm [36.02 Inches] MAX. AND
57.8mm [2.28 Inches] MIN.
THE INCREMENTS
ARE EVERY 6mm [0.24 Inches]

737
[29.00]
RAIL TO RAIL (OUTSIDE)
AT FACTORY SETTING.
CAN BE ADJUSTED TO
1048mm [41.26Inches] MAX. AND
190.5mm [7.5 Inches] MIN.
THE INCREMENTS ARE
EVERY 6mm [0.24 Inches]

- NOTES:
1. INSTALLATION SHALL COMPLY WITH ALL APPLICABLE NATIONAL, STATE AND LOCAL ELECTRICAL REGULATIONS.
 2. REFER TO PRODUCT DOCUMENTATION FOR ADDITIONAL DETAILS PRIOR TO INSTALLATION AND SITE PREPARATION WORK.
 3. ALL DIMENSIONS ARE IN MILLIMETERS [INCHES].

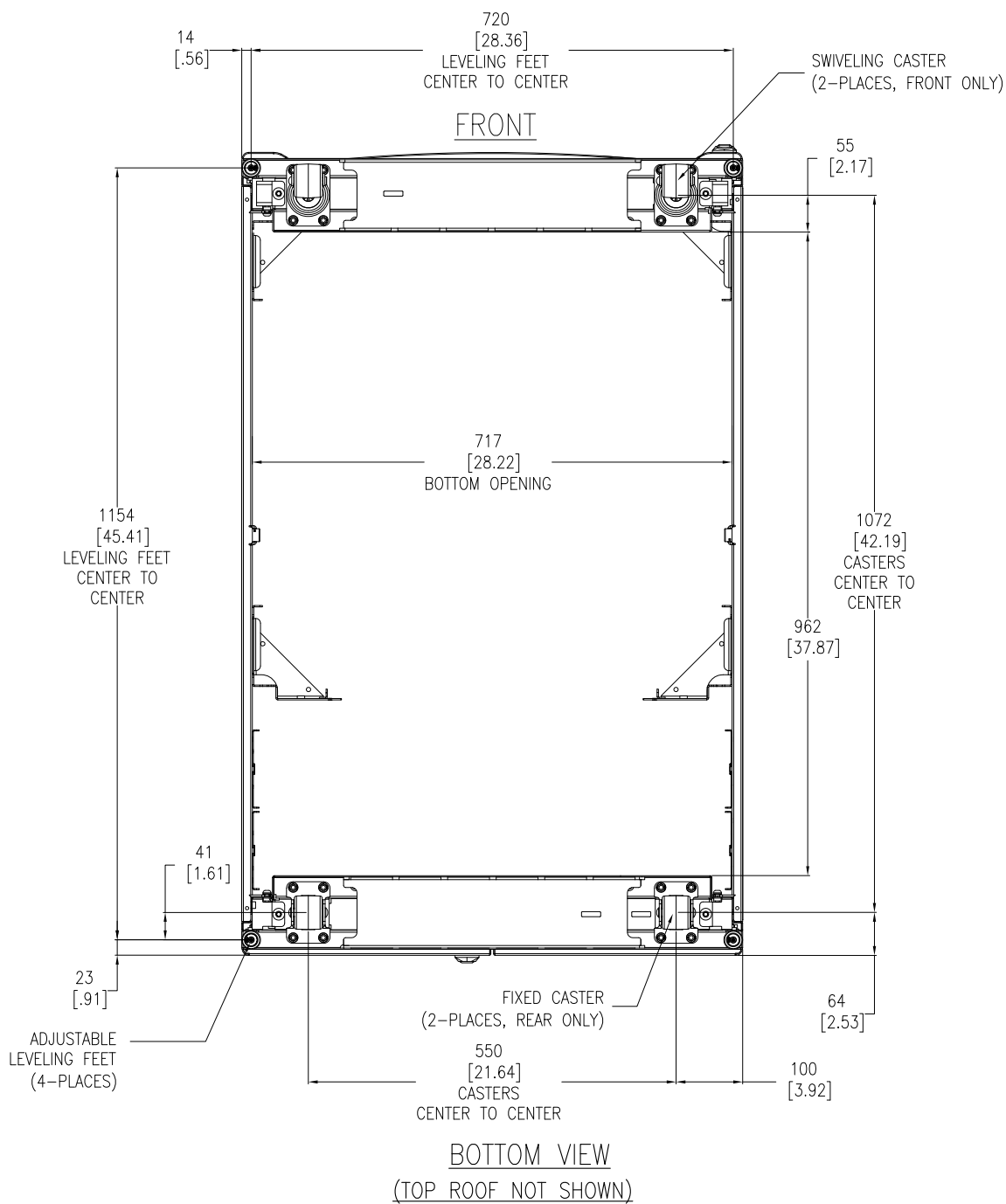
THIS DRAWING AND SPECIFICATIONS HEREIN ARE THE PROPERTY OF SCHNEIDER ELECTRIC AND SHALL NOT BE COPIED, REPRODUCED OR USED IN WHOLE OR IN PART, AS THE BASIS FOR THE MANUFACTURE OR SALE OF ITEMS WITHOUT WRITTEN PERMISSION FROM SCHNEIDER ELECTRIC. THIS DRAWING IS BASED UPON LATEST AVAILABLE INFORMATION AND IS SUBJECT TO CHANGE WITHOUT NOTICE.



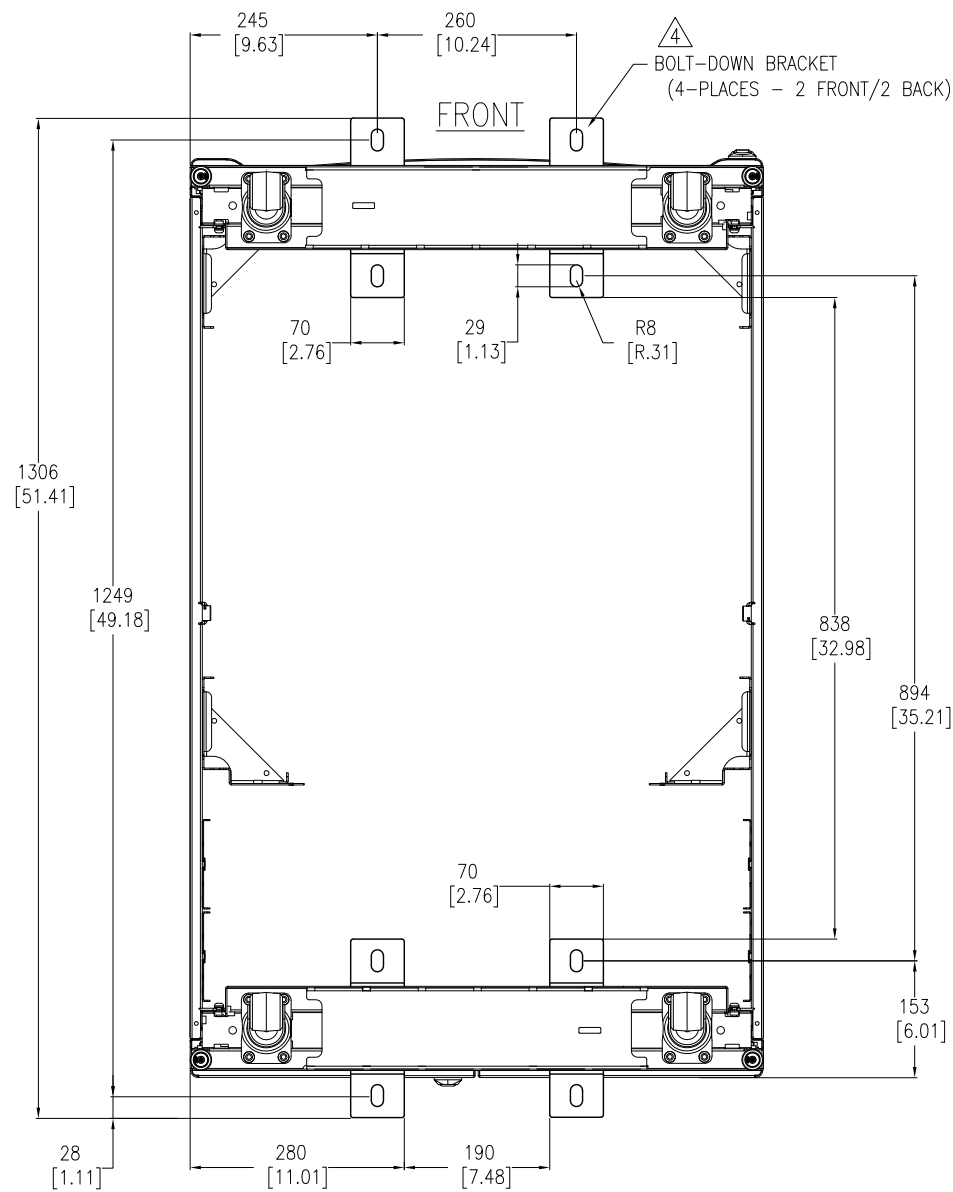
TITLE: NetShelter SX 48U
750mm WIDE X 1200mm DEEP
ENCLOSURE WITH SIDES-SHOCK PACKAGING
TOP VIEW & SECTION VIEW
PROJECT: SUBMITTAL DRAWINGS SHEET 5 OF 6

DWG NO: AR3357SP
DRAWN BY: JAYAPRAKASH 14-JULY-17
ENGINEER: JIE ZHU 14-JULY-17
APPROVED BY: GREG MEY 14-JULY-17

REV. 1
FIRST ANGLE PROJECTION



BOTTOM VIEW
(TOP ROOF NOT SHOWN)



BOTTOM VIEW
(WITH OPTIONAL BOLT-DOWN BRACKETS FOR ANCHORING)
TOP ROOF NOT SHOWN

- NOTES:**
1. INSTALLATION SHALL COMPLY WITH ALL APPLICABLE NATIONAL, STATE AND LOCAL ELECTRICAL REGULATIONS.
 2. REFER TO PRODUCT DOCUMENTATION FOR ADDITIONAL DETAILS PRIOR TO INSTALLATION AND SITE PREPARATION WORK.
 3. ALL DIMENSIONS ARE IN MILLIMETERS [INCHES].
- △4. BOLT-DOWN KIT (SKU# AR7701) IS OPTIONAL AND HAS TO BE ORDERED SEPARATELY.

THIS DRAWING AND SPECIFICATIONS HEREIN ARE THE PROPERTY OF SCHNEIDER ELECTRIC AND SHALL NOT BE COPIED, REPRODUCED OR USED IN WHOLE OR IN PART, AS THE BASIS FOR THE MANUFACTURE OR SALE OF ITEMS WITHOUT WRITTEN PERMISSION FROM SCHNEIDER ELECTRIC. THIS DRAWING IS BASED UPON LATEST AVAILABLE INFORMATION AND IS SUBJECT TO CHANGE WITHOUT NOTICE.



TITLE: NetShelter SX 48U ENCLOSURE WITH SIDES-SHOCK PACKAGING BOTTOM VIEWS

PROJECT: SUBMITTAL DRAWINGS **SHEET:** 6 OF 6

DWG NO: AR3357SP

DRAWN BY: JAYAPRAKASH **DATE:** 03-JULY-15

ENGINEER: D HUDSON/ R PHILLIPS **DATE:** 06-JUL-15

APPROVED BY: GREG IVEY **DATE:** 06-JUL-15

REV: 0

FIRST ANGLE PROJECTION