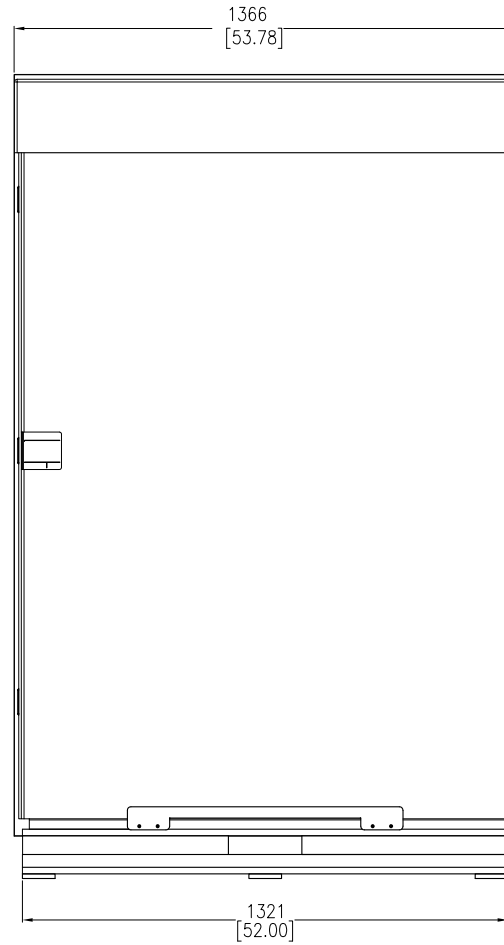
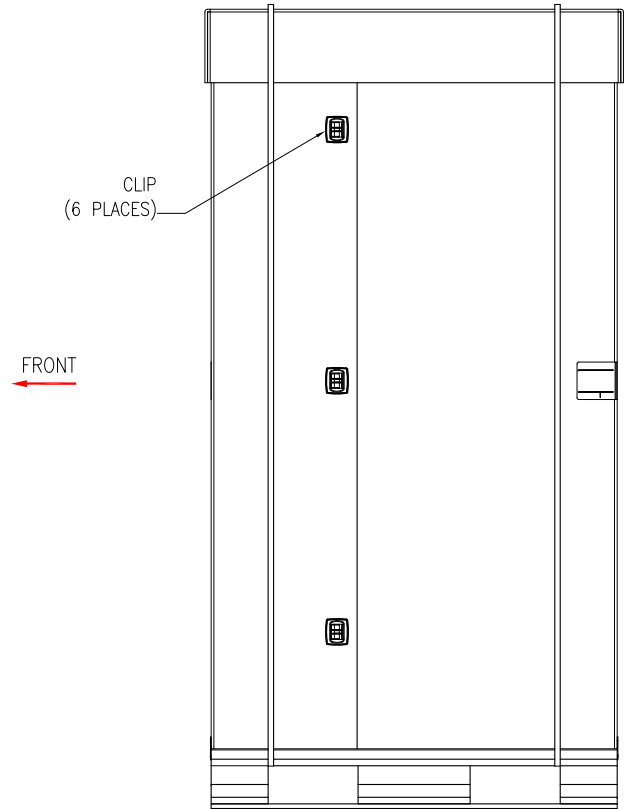


FRONT VIEW



LEFT SIDE VIEW



REAR VIEW

NOTES:

1. INSTALLATION SHALL COMPLY WITH ALL APPLICABLE NATIONAL, STATE AND LOCAL ELECTRICAL REGULATIONS.
2. REFER TO PRODUCT DOCUMENTATION FOR ADDITIONAL DETAILS PRIOR TO INSTALLATION AND SITE PREPARATION WORK.
3. ALL DIMENSIONS ARE IN MILLIMETERS [INCHES].
4. SHIPPING WEIGHT OF UNIT IS 246.3 Kg [543 LBS].

THIS DRAWING AND SPECIFICATIONS HEREIN ARE THE PROPERTY OF SCHNEIDER ELECTRIC AND SHALL NOT BE COPIED, REPRODUCED OR USED IN WHOLE OR IN PART, AS THE BASIS FOR THE MANUFACTURE OR SALE OF ITEMS WITHOUT WRITTEN PERMISSION FROM SCHNEIDER ELECTRIC. THIS DRAWING IS BASED UPON LATEST AVAILABLE INFORMATION AND IS SUBJECT TO CHANGE WITHOUT NOTICE.



TITLE: NetShelter SX 42U
600mm WIDE X 1200mm DEEP
ENCLOSURE WITH SIDES-SHOCK PACKAGING
PACKING DETAILS

DWG NO: AR3300SP REV. 0

DRAWN BY: JAYAPRAKASH 03-JULY-15

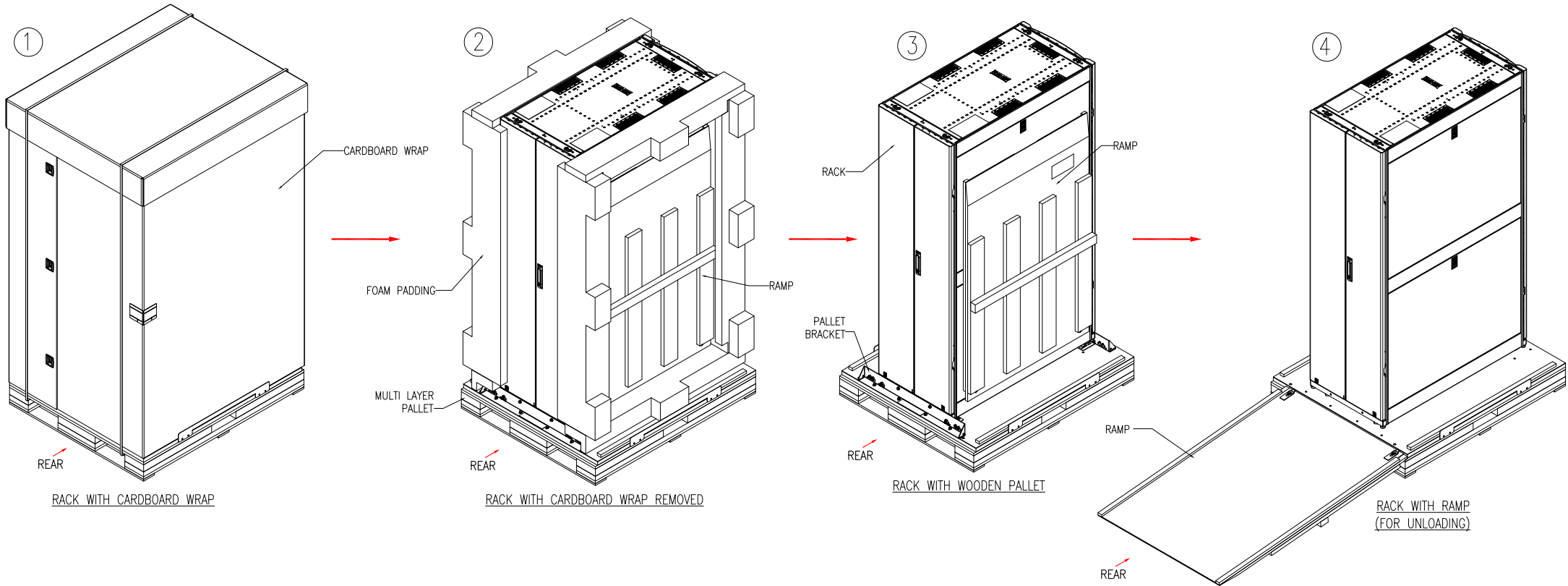
ENGINEER: D HUDSON/ R PHILLIPS 06-JUL-15

APPROVED BY: GREG IVEY 06-JUL-15

PROJECT: SUBMITTAL DRAWINGS SHEET 1 OF 6

FIRST ANGLE PROJECTION

UNPACKING AND UNLOADING STEPS



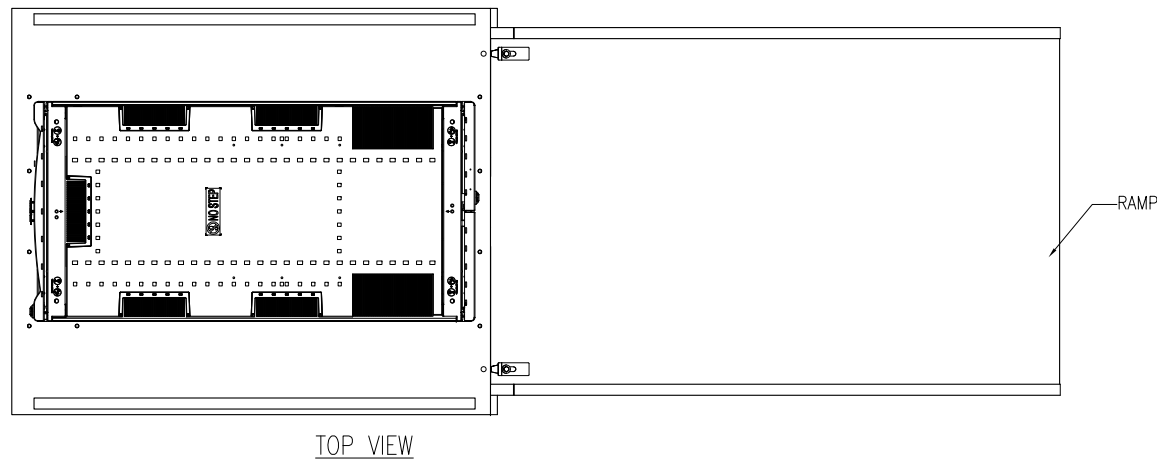
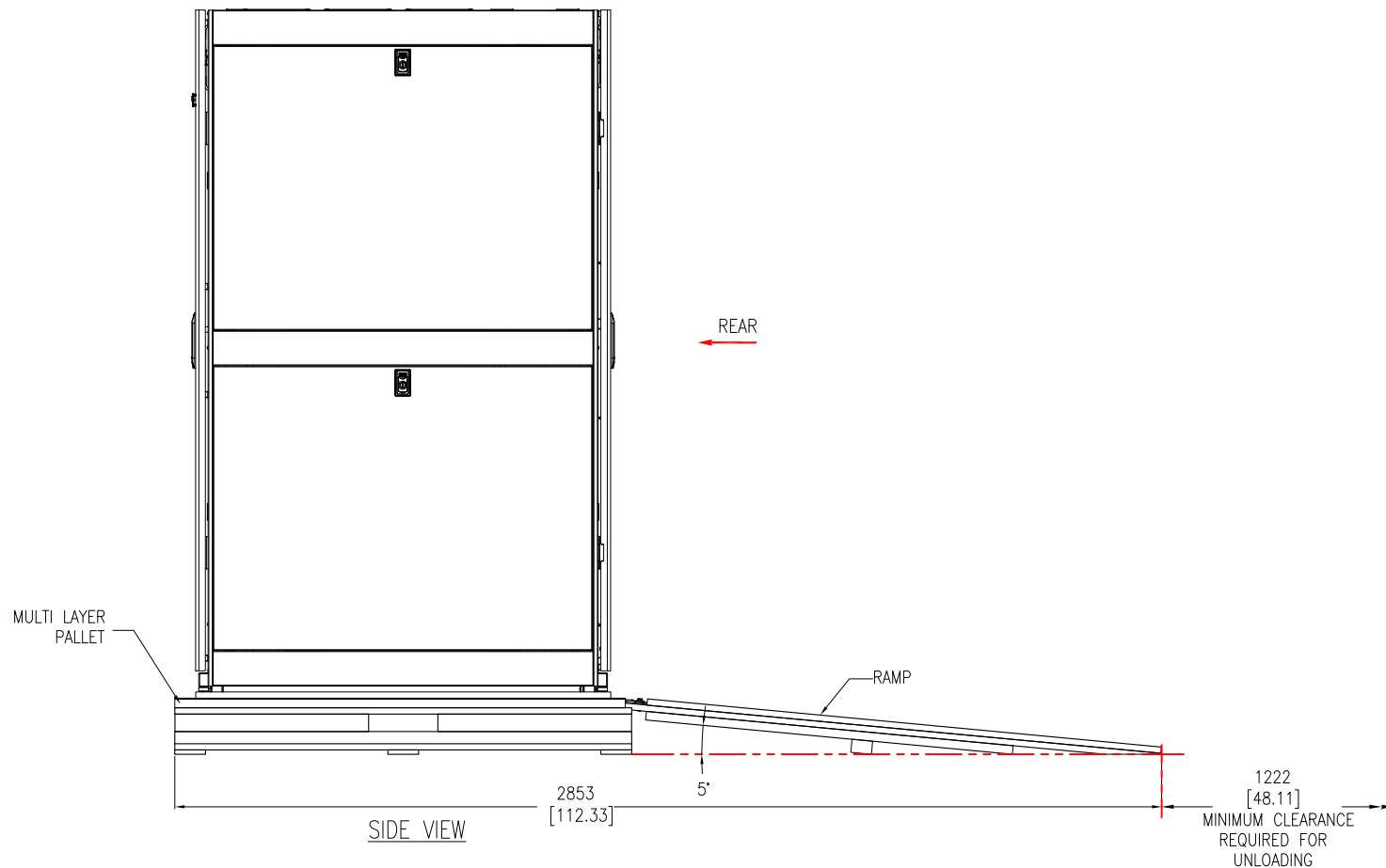
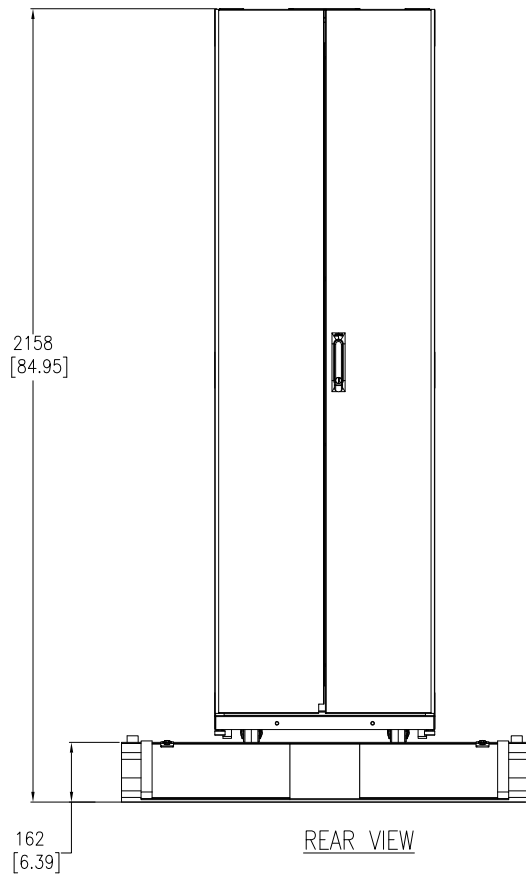
- NOTES:**
1. INSTALLATION SHALL COMPLY WITH ALL APPLICABLE NATIONAL, STATE AND LOCAL ELECTRICAL REGULATIONS.
 2. REFER TO PRODUCT DOCUMENTATION FOR ADDITIONAL DETAILS PRIOR TO INSTALLATION AND SITE PREPARATION WORK.

THIS DRAWING AND SPECIFICATIONS HEREIN ARE THE PROPERTY OF SCHNEIDER ELECTRIC AND SHALL NOT BE COPIED, REPRODUCED OR USED IN WHOLE OR IN PART, AS THE BASIS FOR THE MANUFACTURE OR SALE OF ITEMS WITHOUT WRITTEN PERMISSION FROM SCHNEIDER ELECTRIC. THIS DRAWING IS BASED UPON LATEST AVAILABLE INFORMATION AND IS SUBJECT TO CHANGE WITHOUT NOTICE.



TITLE: NetShelter SX 42U
600mm WIDE X 1200mm DEEP
ENCLOSURE WITH SIDES-SHOCK PACKAGING
ISOMETRIC VIEWS
PROJECT: SUBMITTAL DRAWINGS SHEET 2 OF 6

DWG NO: AR3300SP
DRAWN BY: JAYAPRAKASH
ENGINEER: JIE ZHU
APPROVED BY: GREG IVEY
REV. 1
24-MAY-16
03-JUN-16
03-JUN-16
FIRST ANGLE PROJECTION



- NOTES:**
1. INSTALLATION SHALL COMPLY WITH ALL APPLICABLE NATIONAL, STATE AND LOCAL ELECTRICAL REGULATIONS.
 2. REFER TO PRODUCT DOCUMENTATION FOR ADDITIONAL DETAILS PRIOR TO INSTALLATION AND SITE PREPARATION WORK.
 3. ALL DIMENSIONS ARE IN MILLIMETERS [INCHES].

THIS DRAWING AND SPECIFICATIONS HEREIN ARE THE PROPERTY OF SCHNEIDER ELECTRIC AND SHALL NOT BE COPIED, REPRODUCED OR USED IN WHOLE OR IN PART, AS THE BASIS FOR THE MANUFACTURE OR SALE OF ITEMS WITHOUT WRITTEN PERMISSION FROM SCHNEIDER ELECTRIC. THIS DRAWING IS BASED UPON LATEST AVAILABLE INFORMATION AND IS SUBJECT TO CHANGE WITHOUT NOTICE.



TITLE: NetShelter SX 42U
600mm WIDE X 1200mm DEEP
ENCLOSURE WITH SIDES-SHOCK PACKAGING
UNLOADING DETAILS

PROJECT: SUBMITTAL DRAWINGS SHEET 3 OF 6

DWG NO: AR3300SP

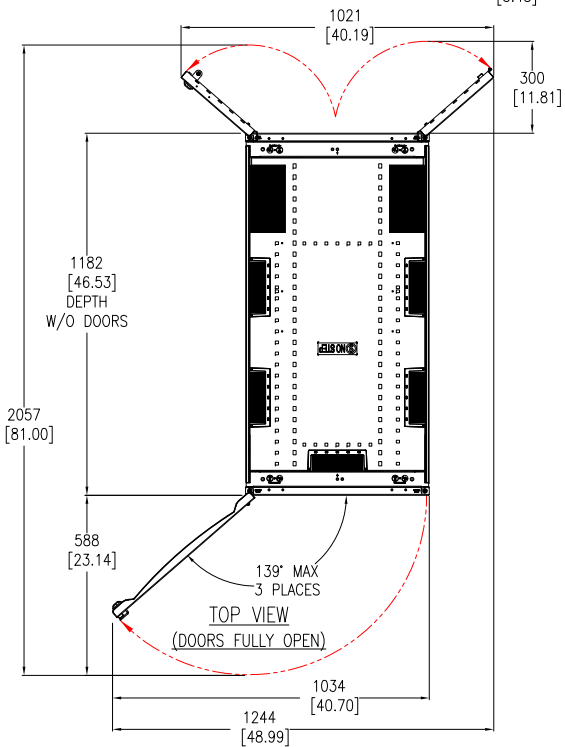
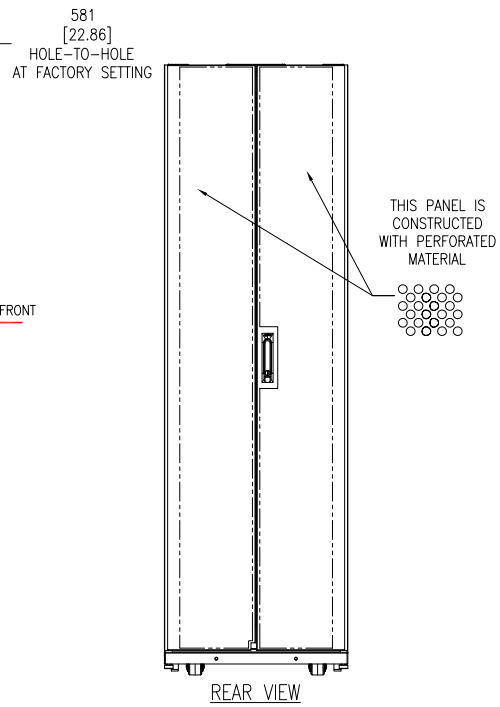
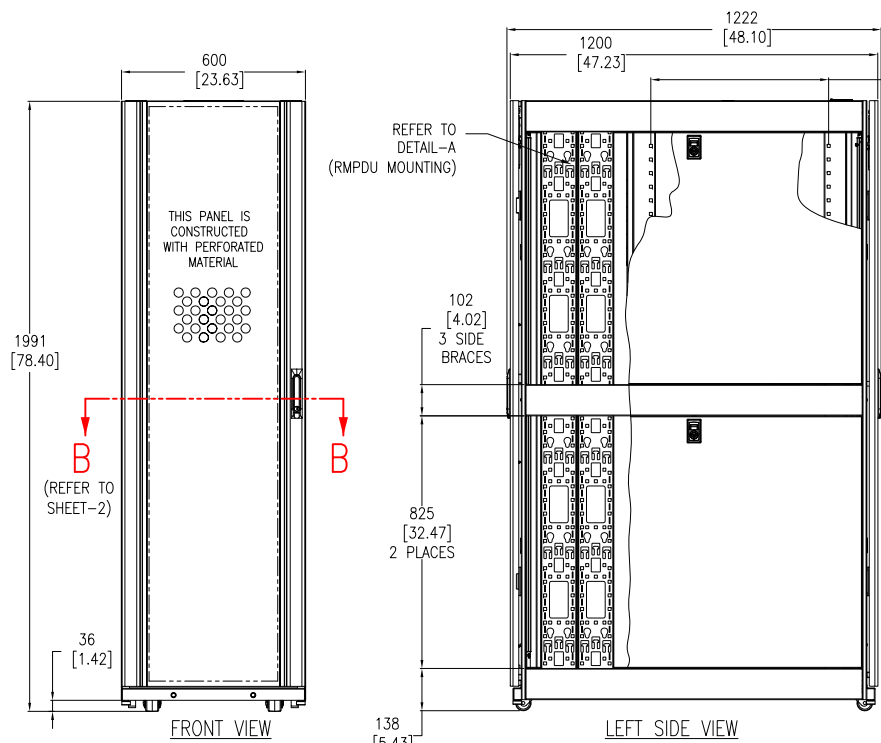
DRAWN BY: JAYAPRAKASH 24-MAY-16

ENGINEER: JIE ZHU 03-JUN-16

APPROVED BY: GREG IVEY 03-JUN-16

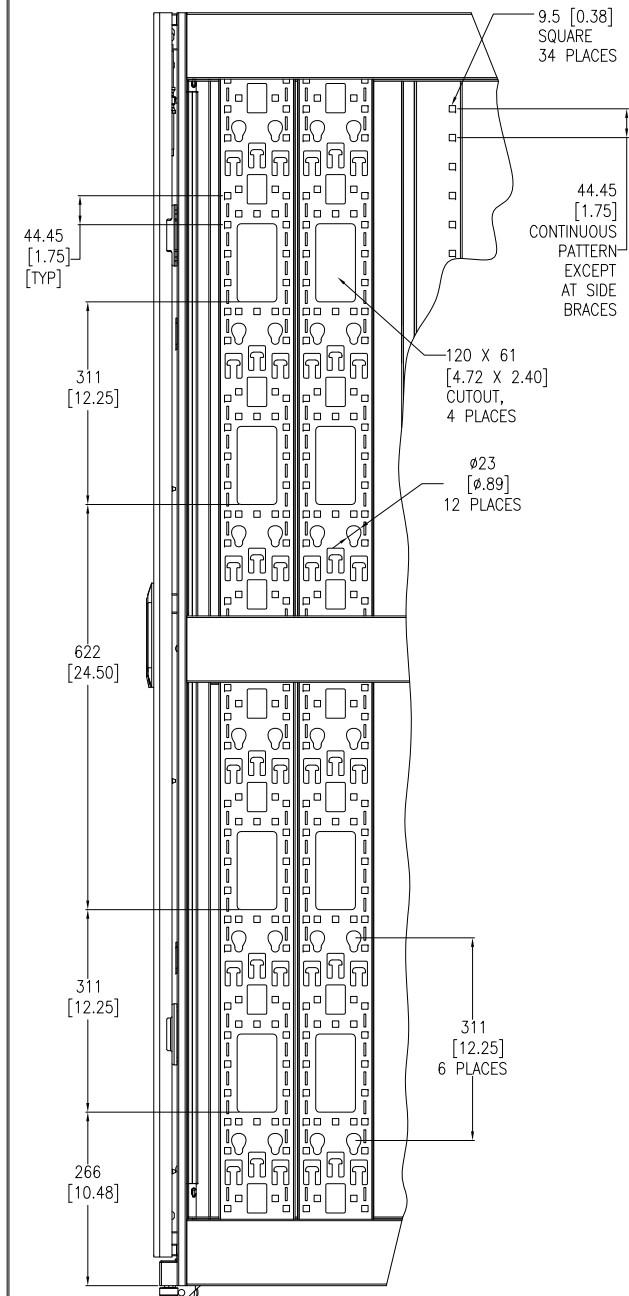
REV. 1

FIRST ANGLE PROJECTION



NOTES:

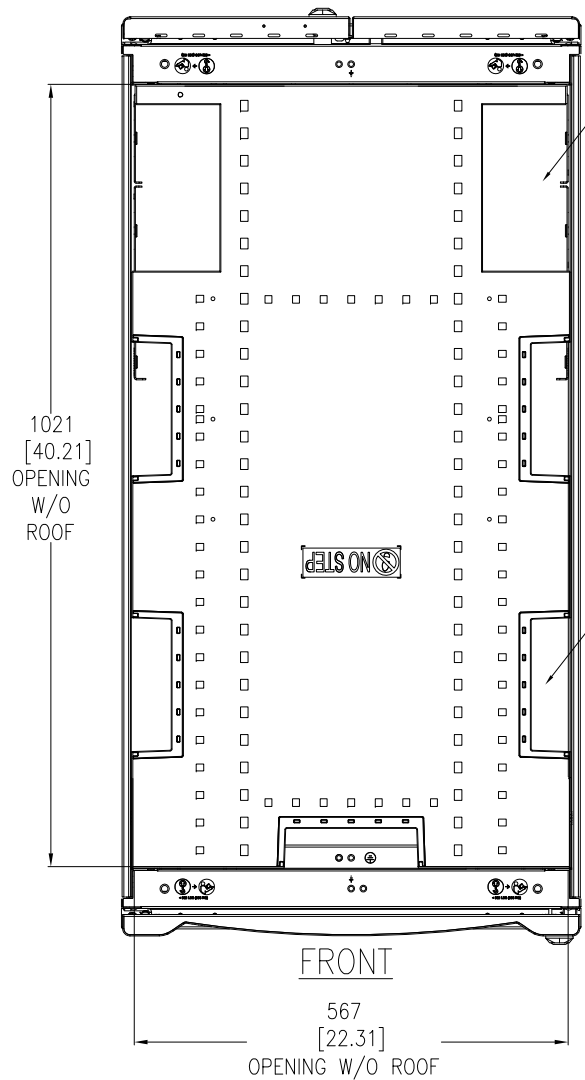
1. INSTALLATION SHALL COMPLY WITH ALL APPLICABLE NATIONAL, STATE AND LOCAL ELECTRICAL REGULATIONS.
2. REFER TO PRODUCT DOCUMENTATION FOR ADDITIONAL DETAILS PRIOR TO INSTALLATION AND SITE PREPARATION WORK.
3. ALL DIMENSIONS ARE IN MILLIMETERS [INCHES].
4. NET WEIGHT OF UNIT IS 134.09kg [295 lb].
5. MAXIMUM INSTALLED EQUIPMENT WEIGHT IS 907kg [2000 lb].
6. CABLE ENTRY IS TOP OR BOTTOM OF THE UNIT.
7. FRONT AND REAR SERVICE ACCESS REQUIRED.
8. AIR FLOW AND SERVICE REQUIREMENTS, AS WELL AS MINIMUM CLEARANCE TO FIRE SUPPRESSION SYSTEMS SHOULD BE CONSIDERED WHEN LOCATING THE ENCLOSURE.



THIS DRAWING AND SPECIFICATIONS HEREIN ARE THE PROPERTY OF SCHNEIDER ELECTRIC AND SHALL NOT BE COPIED, REPRODUCED OR USED IN WHOLE OR IN PART, AS THE BASIS FOR THE MANUFACTURE OR SALE OF ITEMS WITHOUT WRITTEN PERMISSION FROM SCHNEIDER ELECTRIC. THIS DRAWING IS BASED UPON LATEST AVAILABLE INFORMATION AND IS SUBJECT TO CHANGE WITHOUT NOTICE.



TITLE:	NetShelter SX 42U 600mm WIDE X 1200mm DEEP ENCLOSURE WITH SIDES-SHOCK PACKAGING GENERAL ARRANGEMENT	DWG NO:	AR3300SP	REV:	1
PROJECT:	SUBMITTAL DRAWINGS	ENGINEER:	JIE ZHU	DATE:	03-JUN-16
SHEET:	4 OF 6	APPROVED BY:	GREG IVEY	DATE:	03-JUN-16
					ANGLE PROJECTION

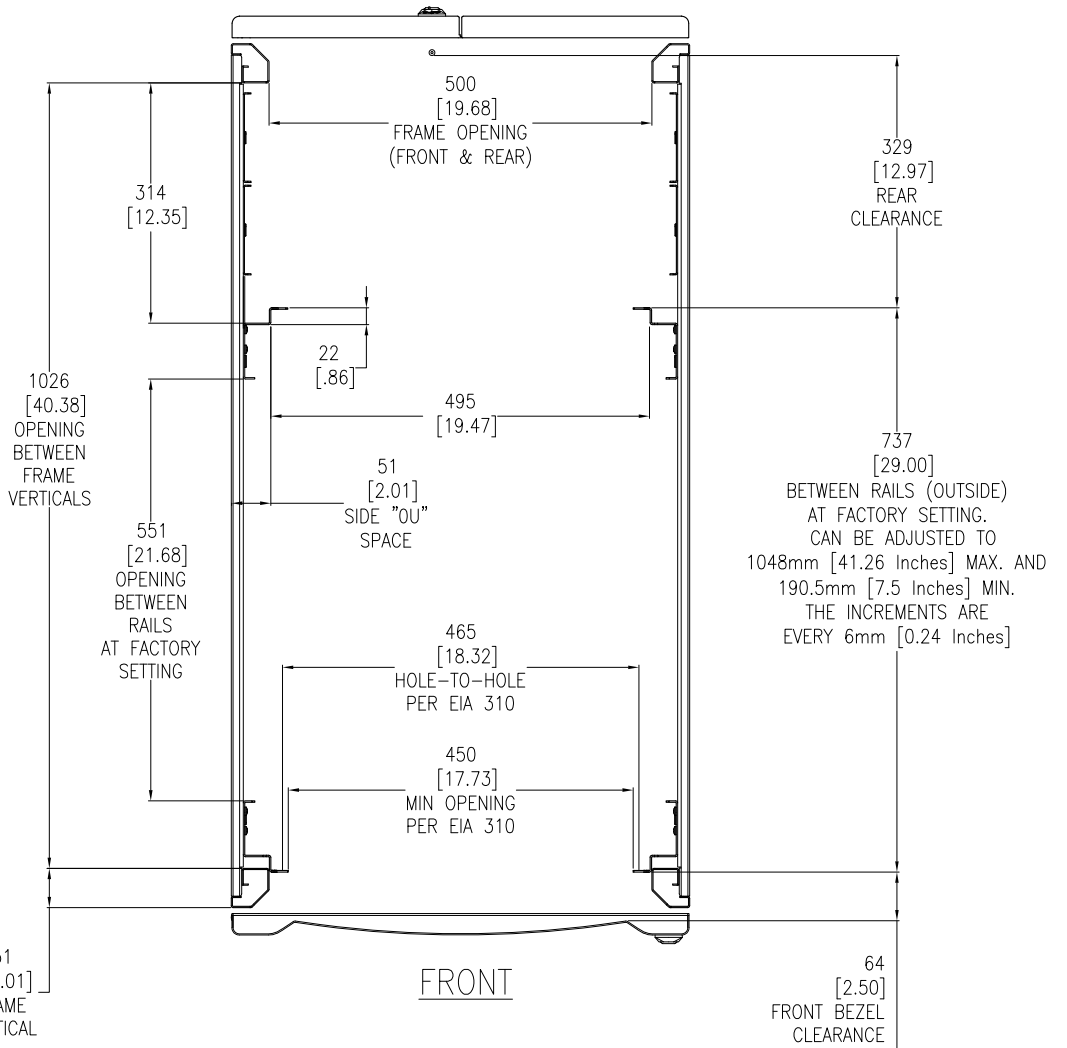


220 [8.66] x 117 [4.61]
 OPENING (2 PLACES)
 BRUSHES ARE INCLUDED
 AT EACH OF THE 2
 OPENINGS.

171 [6.73] x 51 [2.02]
 OPENING (5 PLACES)
 BRUSHES ARE INCLUDED
 AT EACH OF THE 5
 OPENINGS.

FRONT
 567 [22.31]
 OPENING W/O ROOF

TOP VIEW
 CABLE OPENINGS
 (COVERS REMOVED)



1026 [40.38]
 OPENING
 BETWEEN
 FRAME
 VERTICALS

51 [2.01]
 FRAME
 VERTICAL

SECTION B-B
 STANDARD POSITIONS FOR
 MOUNTING RAILS AND
 THEIR ADJUSTABILITY
 (LOOKING DOWN)

500 [19.68]
 FRAME OPENING
 (FRONT & REAR)

314 [12.35]

22 [.86]

495 [19.47]

51 [2.01]
 SIDE "OU"
 SPACE

551 [21.68]
 OPENING
 BETWEEN
 RAILS
 AT FACTORY
 SETTING

465 [18.32]
 HOLE-TO-HOLE
 PER EIA 310

450 [17.73]
 MIN OPENING
 PER EIA 310

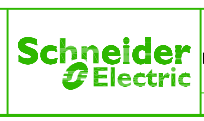
329 [12.97]
 REAR
 CLEARANCE

737 [29.00]
 BETWEEN RAILS (OUTSIDE)
 AT FACTORY SETTING.
 CAN BE ADJUSTED TO
 1048mm [41.26 Inches] MAX. AND
 190.5mm [7.5 Inches] MIN.
 THE INCREMENTS ARE
 EVERY 6mm [0.24 Inches]

64 [2.50]
 FRONT BEZEL
 CLEARANCE
 CAN BE ADJUSTED TO
 915mm [36.02 Inches] MAX. AND
 57.8mm [2.28 Inches] MIN.
 THE INCREMENTS
 ARE EVERY 6mm [0.24 Inches]

- NOTES:
1. INSTALLATION SHALL COMPLY WITH ALL APPLICABLE NATIONAL, STATE AND LOCAL ELECTRICAL REGULATIONS.
 2. REFER TO PRODUCT DOCUMENTATION FOR ADDITIONAL DETAILS PRIOR TO INSTALLATION AND SITE PREPARATION WORK.
 3. ALL DIMENSIONS ARE IN MILLIMETERS [INCHES].

THIS DRAWING AND SPECIFICATIONS HEREIN ARE THE PROPERTY OF SCHNEIDER ELECTRIC AND SHALL NOT BE COPIED, REPRODUCED OR USED IN WHOLE OR IN PART, AS THE BASIS FOR THE MANUFACTURE OR SALE OF ITEMS WITHOUT WRITTEN PERMISSION FROM SCHNEIDER ELECTRIC. THIS DRAWING IS BASED UPON LATEST AVAILABLE INFORMATION AND IS SUBJECT TO CHANGE WITHOUT NOTICE.



TITLE: NetShelter SX 42U
 600mm WIDE X 1200mm DEEP
 ENCLOSURE WITH SIDES-SHOCK PACKAGING
 TOP VIEW & SECTION VIEW

PROJECT: SUBMITTAL DRAWINGS SHEET 5 OF 6

DWG NO: AR3300SP

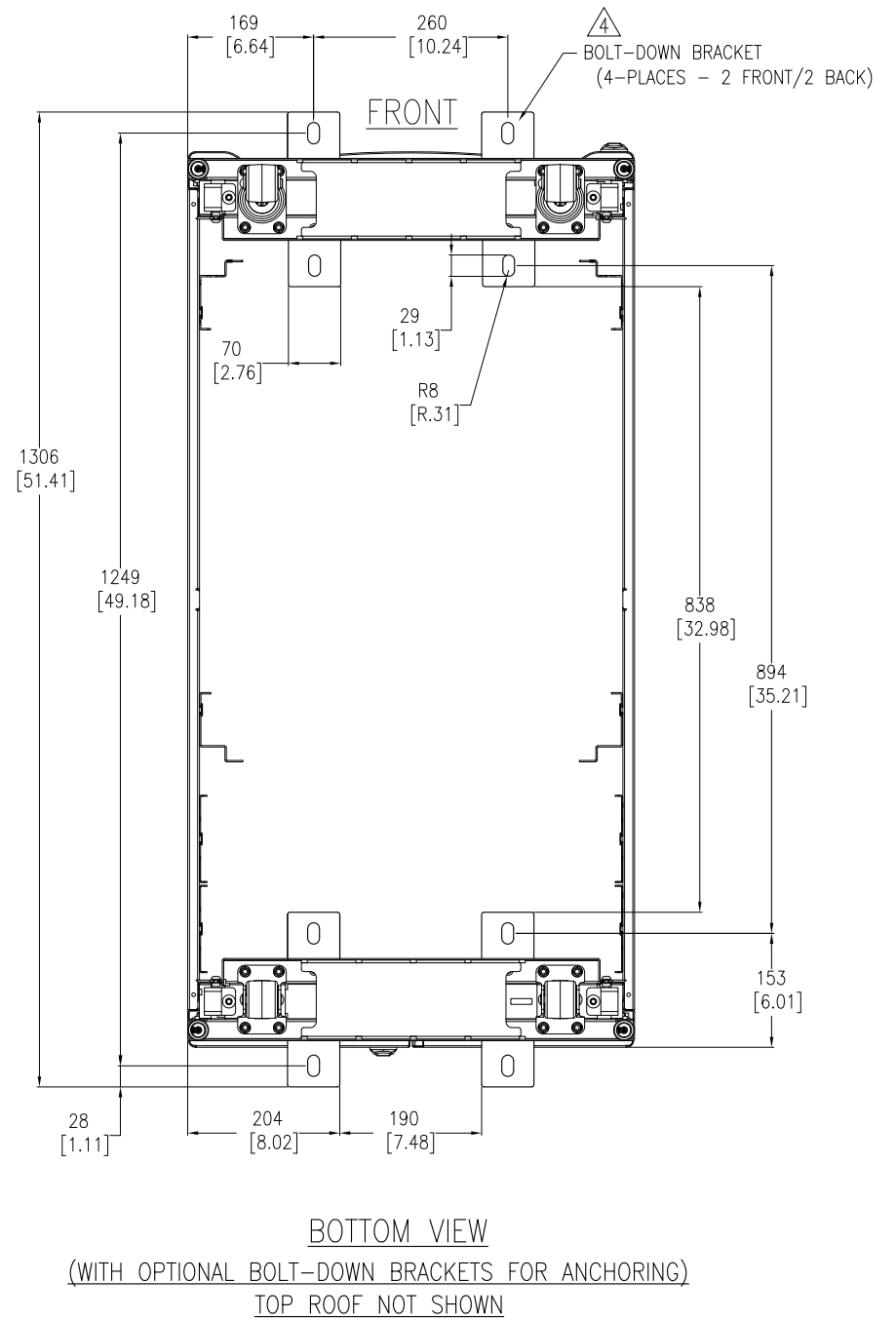
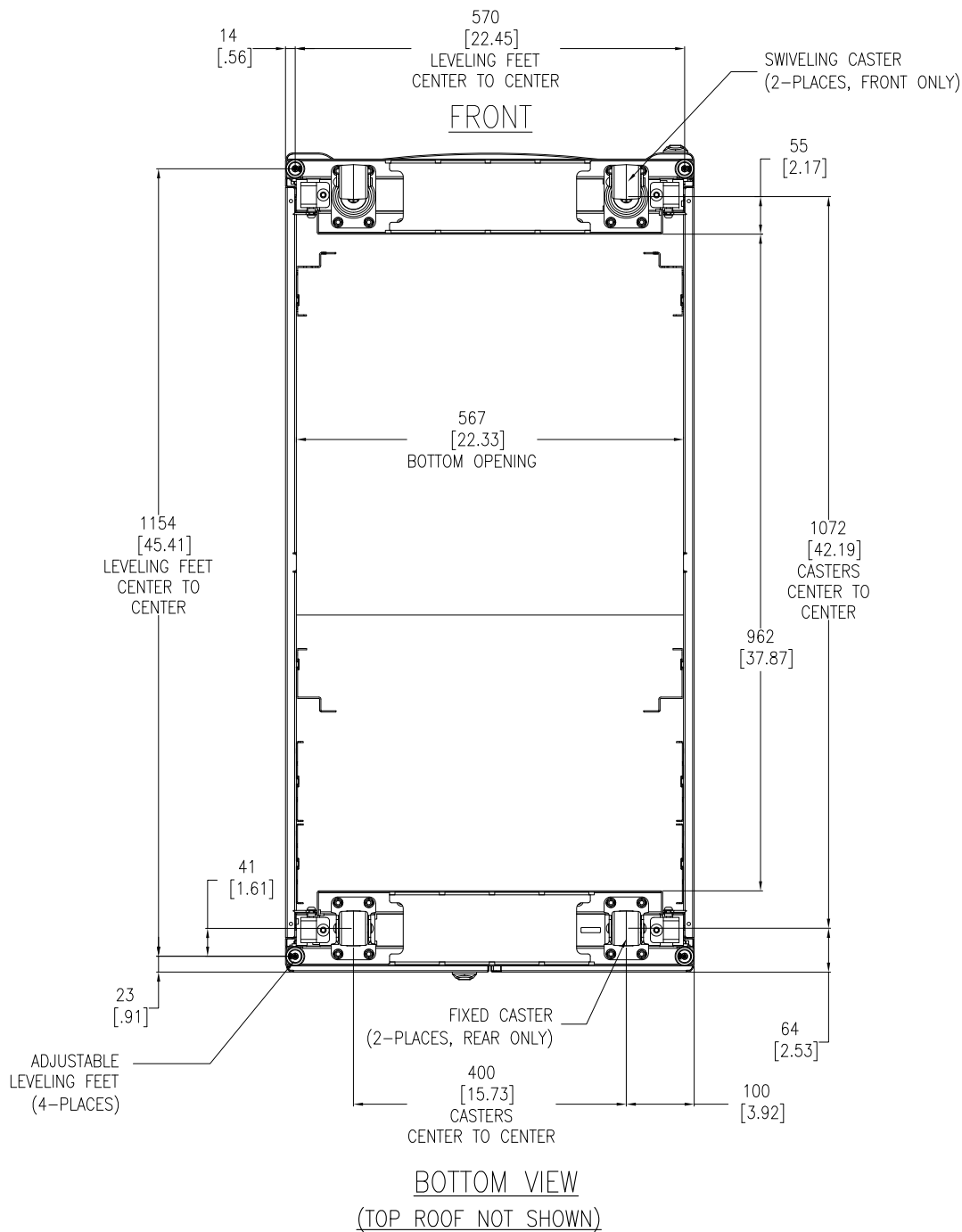
DRAWN BY: JAYAPRAKASH 24-MAY-16

ENGINEER: JIE ZHU 03-JUN-16

APPROVED BY: GREG MEY 03-JUN-16

REV. 1

FIRST ANGLE PROJECTION



- NOTES:
1. INSTALLATION SHALL COMPLY WITH ALL APPLICABLE NATIONAL, STATE AND LOCAL ELECTRICAL REGULATIONS.
 2. REFER TO PRODUCT DOCUMENTATION FOR ADDITIONAL DETAILS PRIOR TO INSTALLATION AND SITE PREPARATION WORK.
 3. ALL DIMENSIONS ARE IN MILLIMETERS [INCHES].
- △4. BOLT-DOWN KIT (SKU# AR7701) IS OPTIONAL AND HAS TO BE ORDERED SEPARATELY.

THIS DRAWING AND SPECIFICATIONS HEREIN ARE THE PROPERTY OF SCHNEIDER ELECTRIC AND SHALL NOT BE COPIED, REPRODUCED OR USED IN WHOLE OR IN PART, AS THE BASIS FOR THE MANUFACTURE OR SALE OF ITEMS WITHOUT WRITTEN PERMISSION FROM SCHNEIDER ELECTRIC. THIS DRAWING IS BASED UPON LATEST AVAILABLE INFORMATION AND IS SUBJECT TO CHANGE WITHOUT NOTICE.

Schneider Electric

TITLE:
NetShelter SX 42U
600mm WIDE X 1200mm DEEP
ENCLOSURE WITH SIDES-SHOCK PACKAGING
BOTTOM VIEWS

PROJECT: SUBMITTAL DRAWINGS SHEET 6 OF 6

DWG NO: **AR3300SP**

DRAWN BY: JAYAPRAKASH 03-JULY-15

ENGINEER: D HUDSON/ R PHILLIPS 06-JUL-15

APPROVED BY: GREG IVEY 06-JUL-15

REV. **0**

FIRST ANGLE PROJECTION