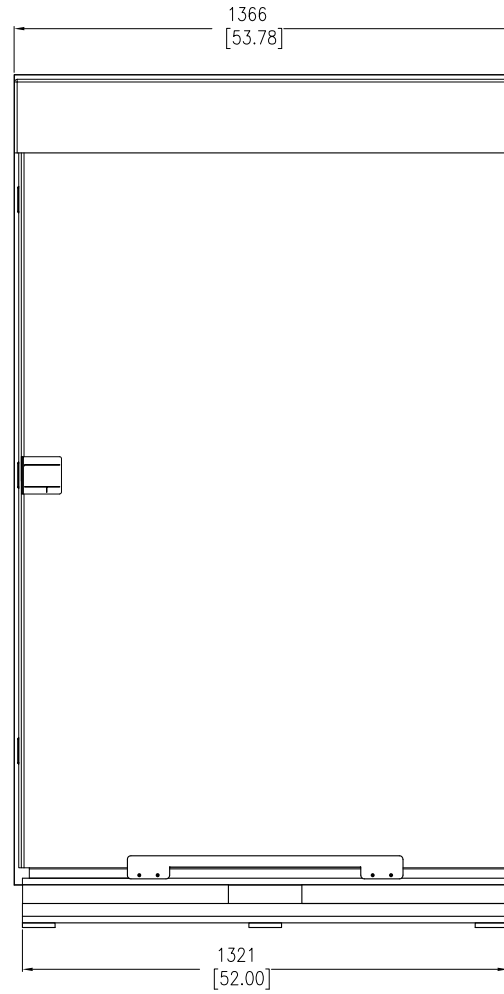
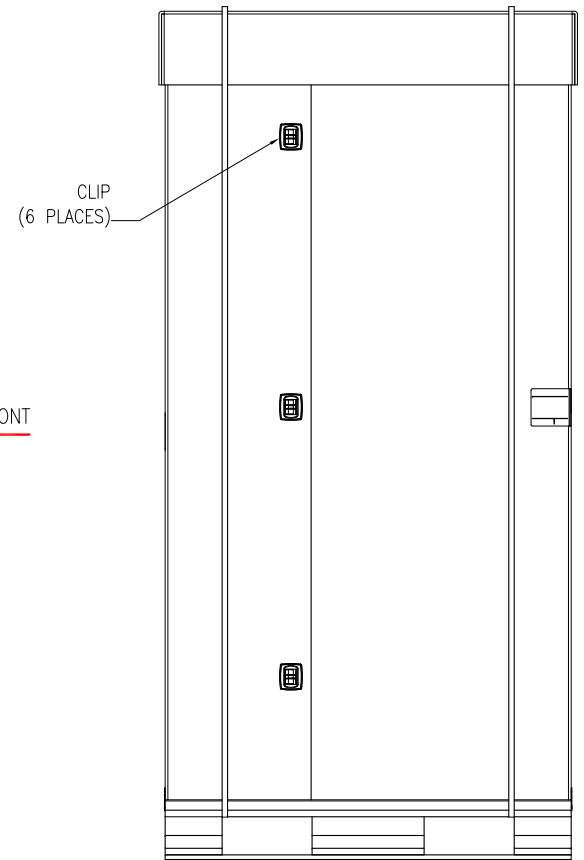


FRONT VIEW



LEFT SIDE VIEW



REAR VIEW

NOTES:

1. INSTALLATION SHALL COMPLY WITH ALL APPLICABLE NATIONAL, STATE AND LOCAL ELECTRICAL REGULATIONS.
2. REFER TO PRODUCT DOCUMENTATION FOR ADDITIONAL DETAILS PRIOR TO INSTALLATION AND SITE PREPARATION WORK.
3. ALL DIMENSIONS ARE IN MILLIMETERS [INCHES].
4. SHIPPING WEIGHT OF UNIT IS 248 kg [546 LBS].

THIS DRAWING AND SPECIFICATIONS HEREIN ARE THE PROPERTY OF SCHNEIDER ELECTRIC AND SHALL NOT BE COPIED, REPRODUCED OR USED IN WHOLE OR IN PART, AS THE BASIS FOR THE MANUFACTURE OR SALE OF ITEMS WITHOUT WRITTEN PERMISSION FROM SCHNEIDER ELECTRIC. THIS DRAWING IS BASED UPON LATEST AVAILABLE INFORMATION AND IS SUBJECT TO CHANGE WITHOUT NOTICE.



TITLE:
NetShelter SX 45U
600mm WIDE X 1070mm DEEP
ENCLOSURE WITH SIDES-SHOCK PACKAGING
PACKING DETAILS

DWG NO: AR3105SP REV: 0

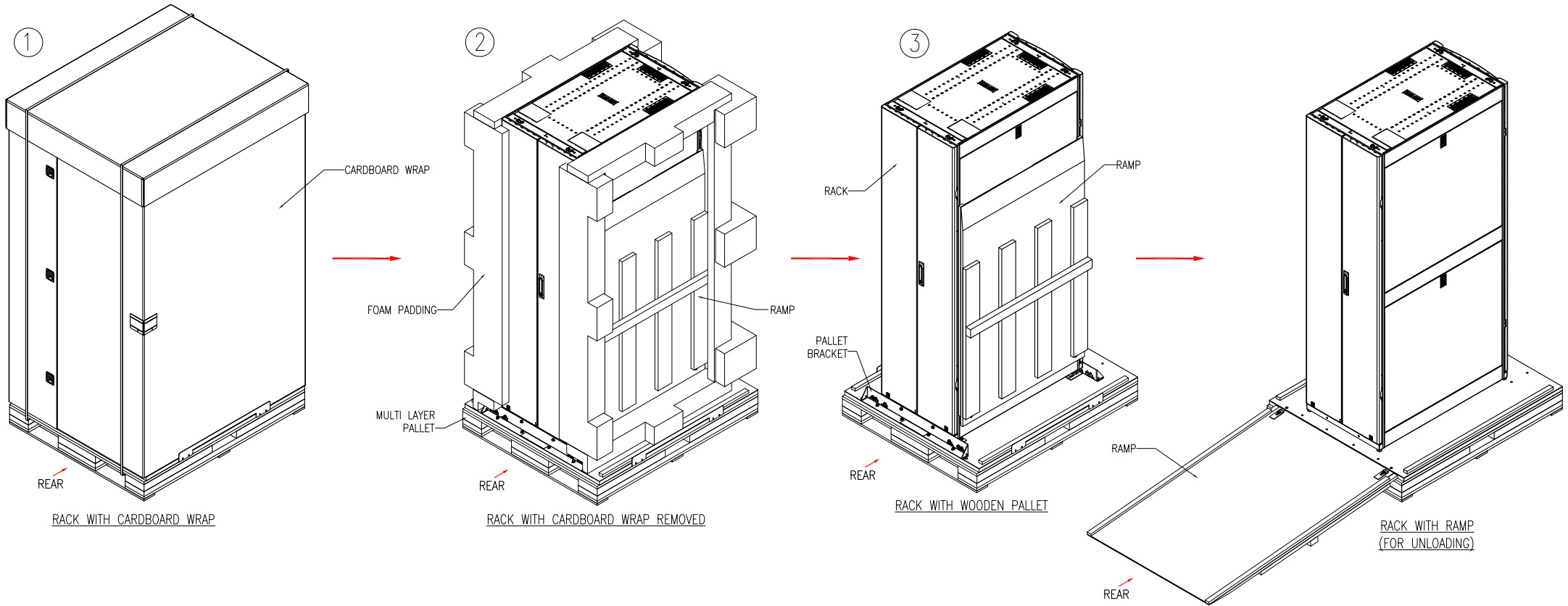
DRAWN BY: JAYAPRAKASH 03-JUL-15 FIRST ANGLE PROJECTION

ENGINEER: D HUDSON/ R PHILLIPS 06-JUL-15

PROJECT: SUBMITTAL DRAWINGS SHEET 1 OF 6

APPROVED BY: GREG IVEY 06-JUL-15

UNPACKING AND UNLOADING STEPS



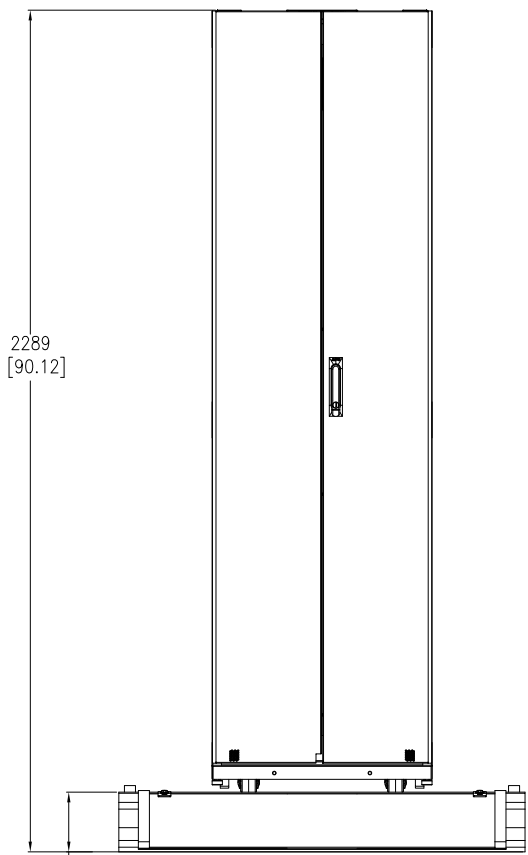
- NOTES:**
1. INSTALLATION SHALL COMPLY WITH ALL APPLICABLE NATIONAL, STATE AND LOCAL ELECTRICAL REGULATIONS.
 2. REFER TO PRODUCT DOCUMENTATION FOR ADDITIONAL DETAILS PRIOR TO INSTALLATION AND SITE PREPARATION WORK.

THIS DRAWING AND SPECIFICATIONS HEREIN ARE THE PROPERTY OF SCHNEIDER ELECTRIC AND SHALL NOT BE COPIED, REPRODUCED OR USED IN WHOLE OR IN PART, AS THE BASIS FOR THE MANUFACTURE OR SALE OF ITEMS WITHOUT WRITTEN PERMISSION FROM SCHNEIDER ELECTRIC. THIS DRAWING IS BASED UPON LATEST AVAILABLE INFORMATION AND IS SUBJECT TO CHANGE WITHOUT NOTICE.

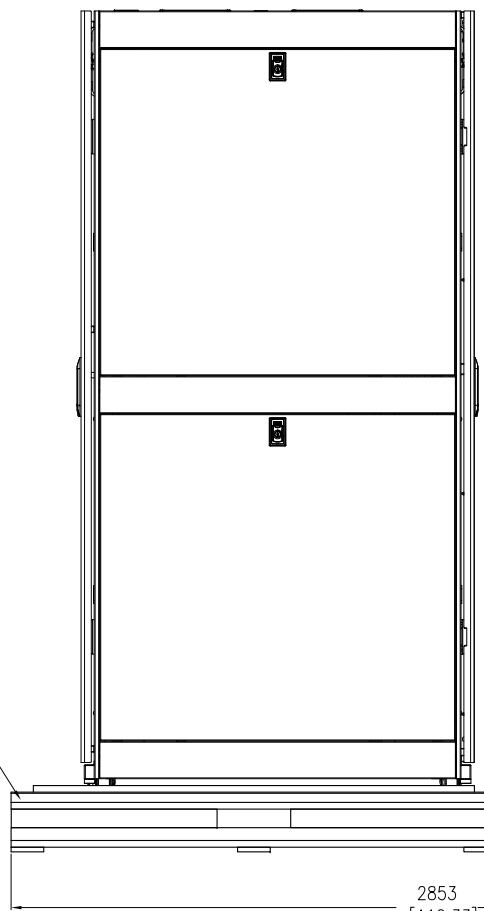


TITLE: NetShelter SX 45U
600mm WIDE X 1070mm DEEP
ENCLOSURE WITH SIDES-SHOCK PACKAGING
ISOMETRIC VIEWS
PROJECT: SUBMITTAL DRAWINGS SHEET 2 OF 6

DWG NO: AR3105SP
DRAWN BY: JAYAPRAKASH
ENGINEER: JIE JHU
APPROVED BY: GREG IVEY
REV. 1
15-JUN-17
15-JUN-17
15-JUN-17
FIRST ANGLE PROJECTION



162 [6.39] REAR VIEW

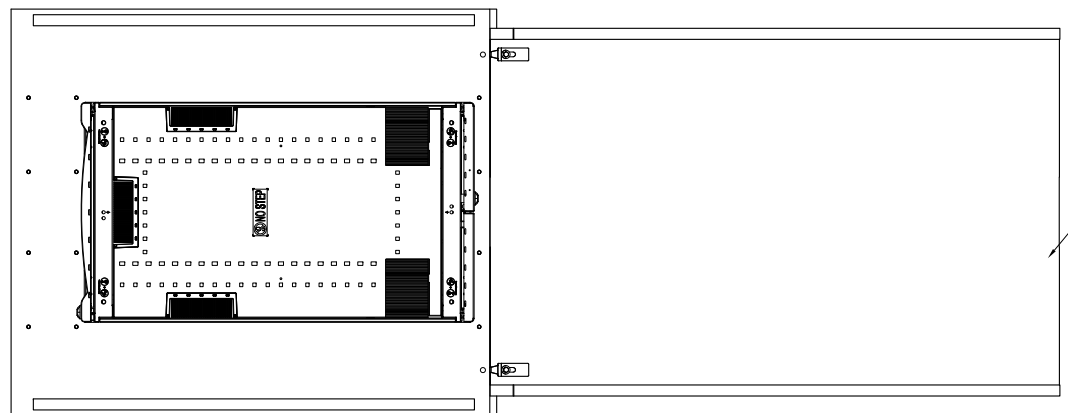


2853 [112.33] SIDE VIEW

MULTI LAYER PALLET

REAR

RAMP



1092 [42.98] TOP VIEW

MINIMUM CLEARANCE REQUIRED FOR UNLOADING

- NOTES:
1. INSTALLATION SHALL COMPLY WITH ALL APPLICABLE NATIONAL, STATE AND LOCAL ELECTRICAL REGULATIONS.
 2. REFER TO PRODUCT DOCUMENTATION FOR ADDITIONAL DETAILS PRIOR TO INSTALLATION AND SITE PREPARATION WORK.
 3. ALL DIMENSIONS ARE IN MILLIMETERS [INCHES].

THIS DRAWING AND SPECIFICATIONS HEREIN ARE THE PROPERTY OF SCHNEIDER ELECTRIC AND SHALL NOT BE COPIED, REPRODUCED OR USED IN WHOLE OR IN PART, AS THE BASIS FOR THE MANUFACTURE OR SALE OF ITEMS WITHOUT WRITTEN PERMISSION FROM SCHNEIDER ELECTRIC. THIS DRAWING IS BASED UPON LATEST AVAILABLE INFORMATION AND IS SUBJECT TO CHANGE WITHOUT NOTICE.



TITLE: NetShelter SX 45U
600mm WIDE X 1070mm DEEP
ENCLOSURE WITH SIDES-SHOCK PACKAGING
UNLOADING DETAILS

PROJECT: SUBMITTAL DRAWINGS SHEET 3 OF 6

DWG NO: AR3105SP

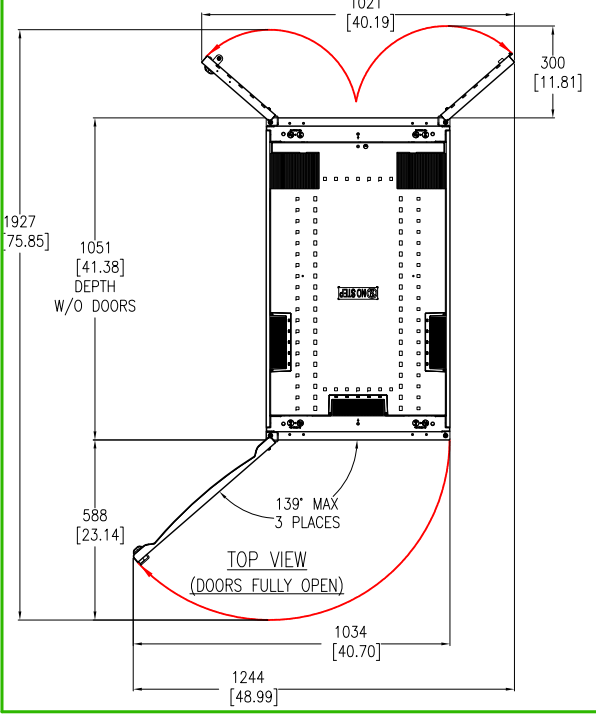
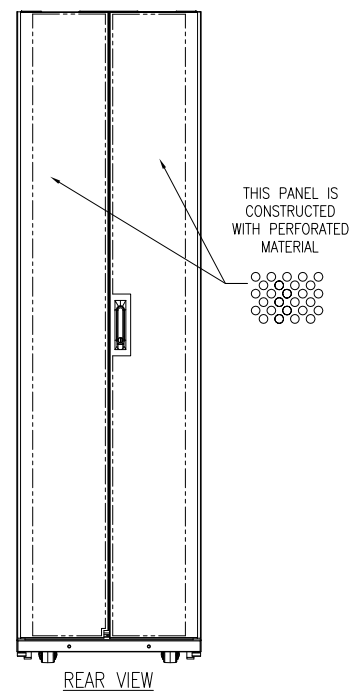
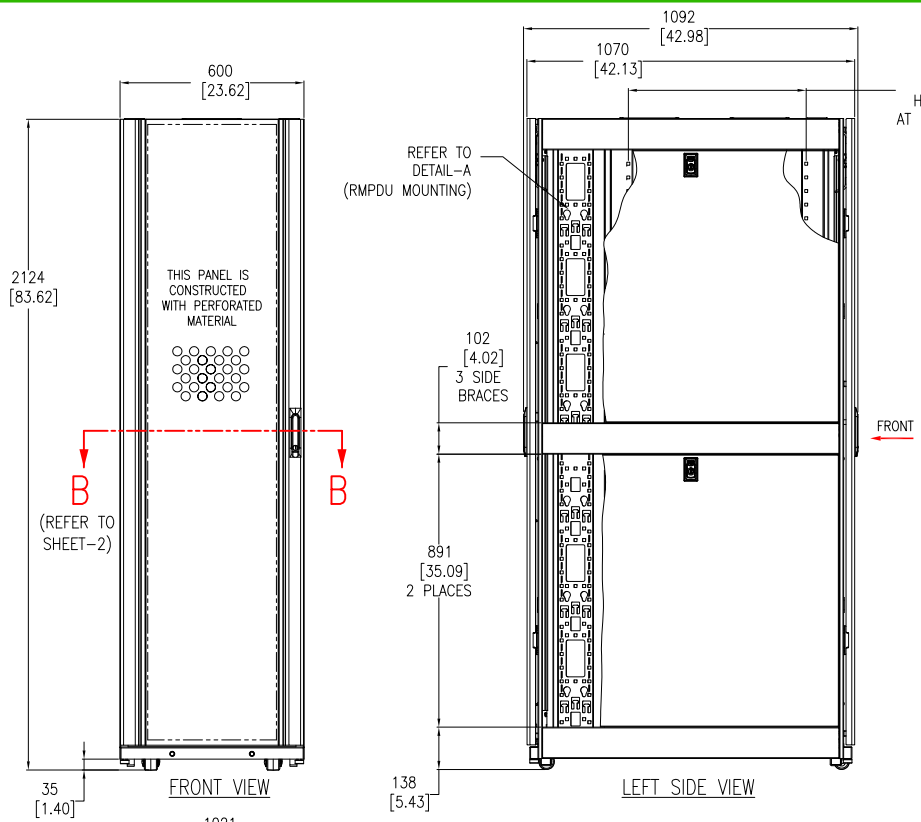
DRAWN BY: JAYAPRAKASH 15-JUN-17

ENGINEER: JIE JHU 15-JUN-17

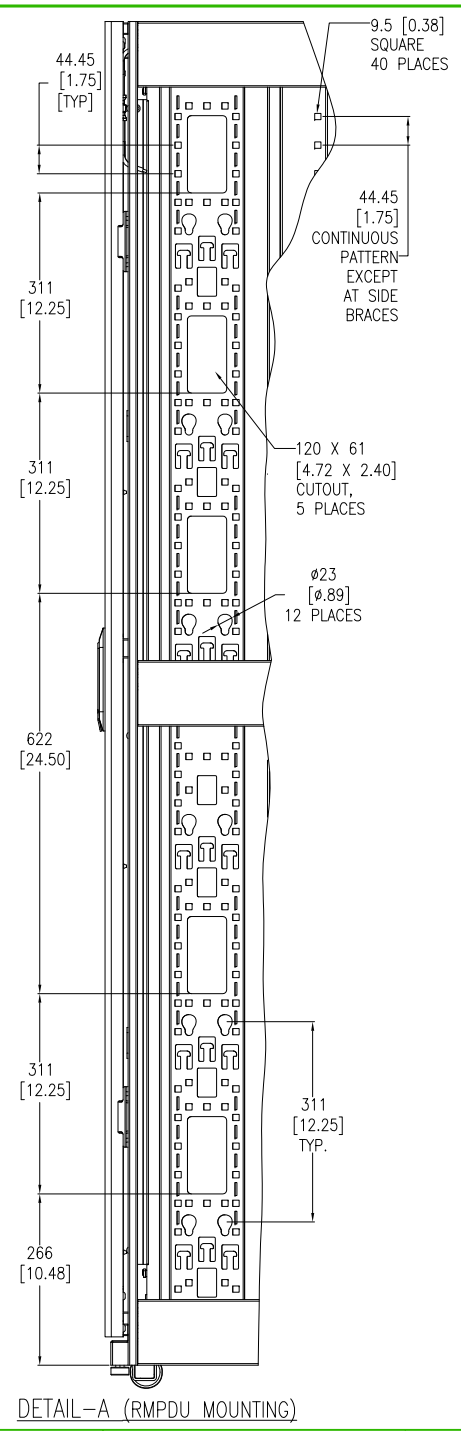
APPROVED BY: GREG IVEY 15-JUN-17

REV. 1

FIRST ANGLE PROJECTION



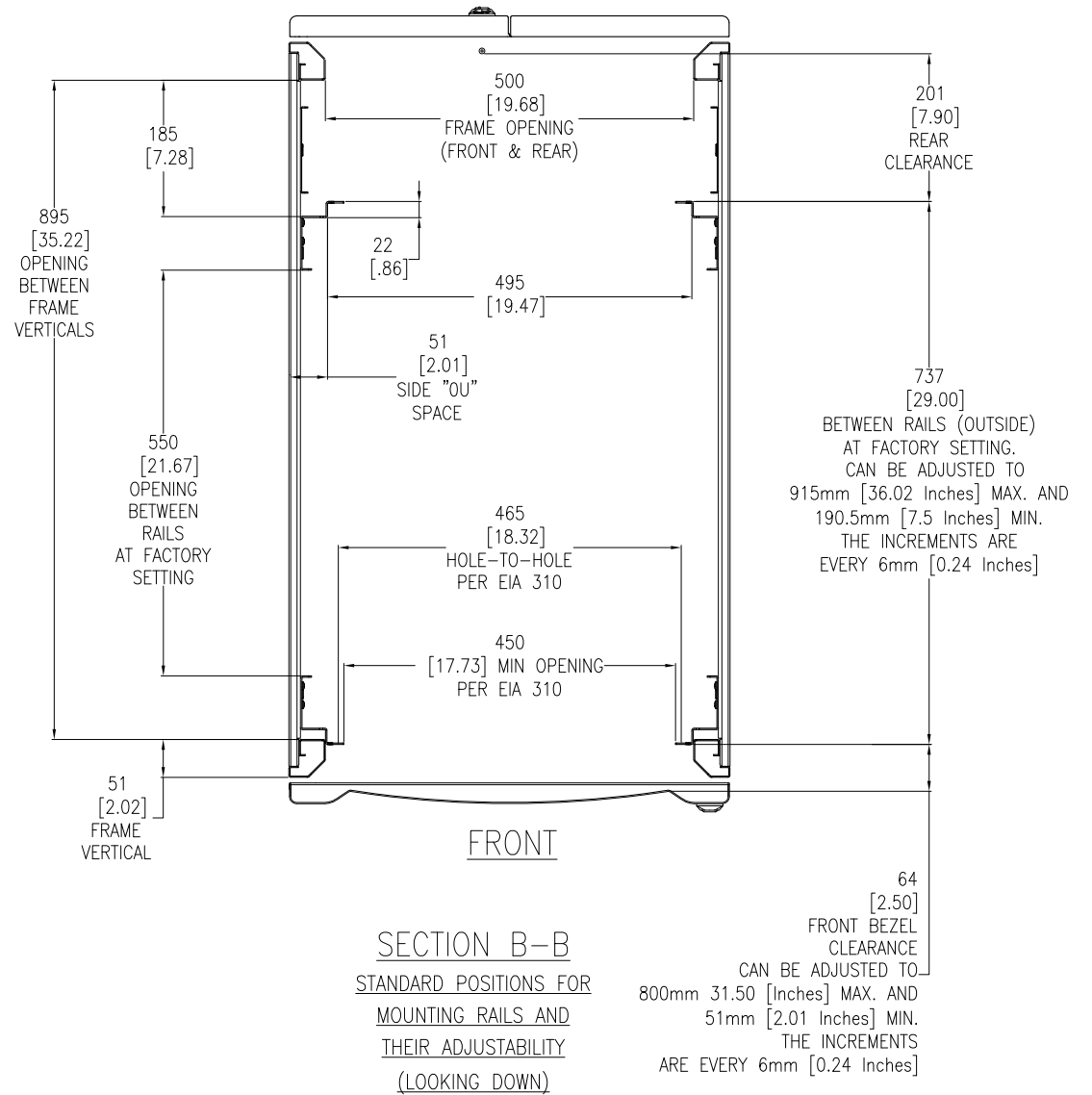
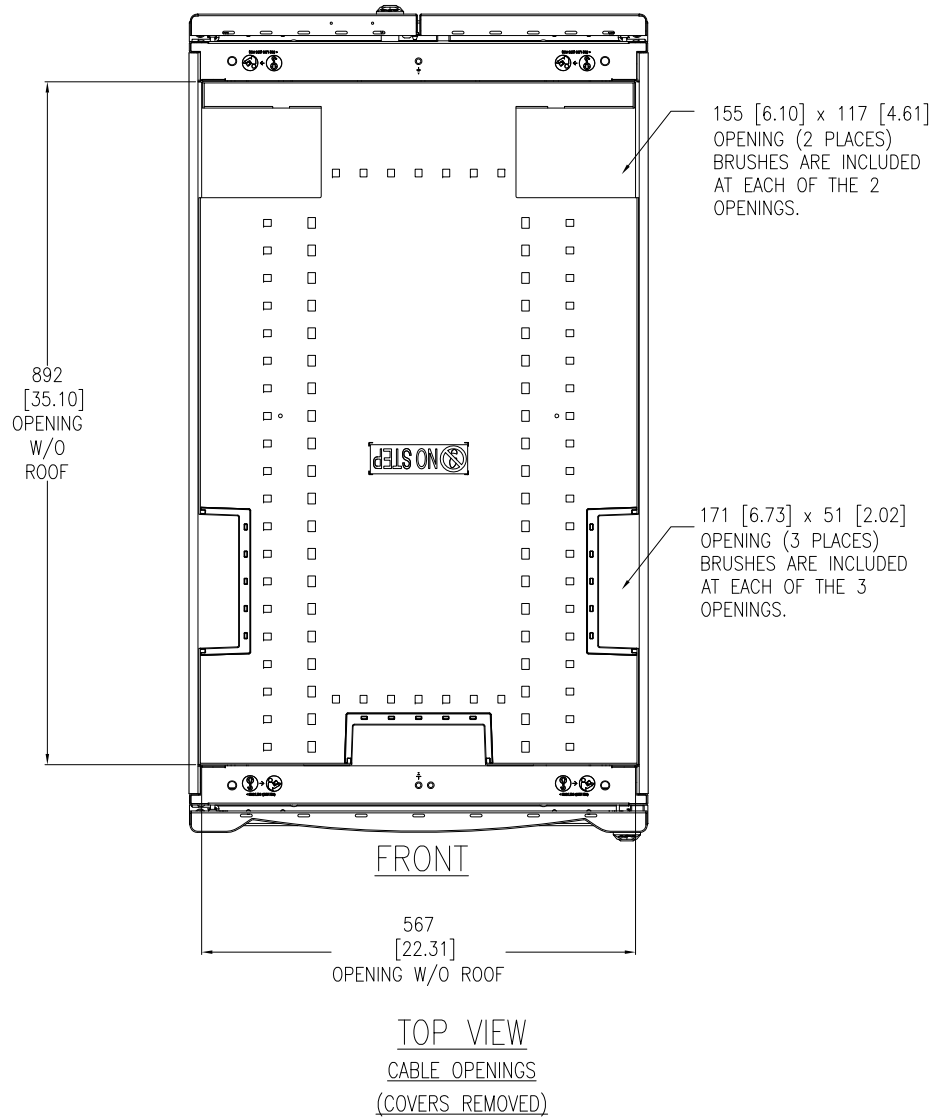
- NOTES:**
1. INSTALLATION SHALL COMPLY WITH ALL APPLICABLE NATIONAL, STATE AND LOCAL ELECTRICAL REGULATIONS.
 2. REFER TO PRODUCT DOCUMENTATION FOR ADDITIONAL DETAILS PRIOR TO INSTALLATION AND SITE PREPARATION WORK.
 3. ALL DIMENSIONS ARE IN MILLIMETERS [INCHES].
 4. NET WEIGHT OF UNIT IS 137kg [301.4 lb].
 5. MAXIMUM INSTALLED EQUIPMENT WEIGHT IS 907kg [2000 lb].
 6. CABLE ENTRY IS TOP OR BOTTOM OF THE UNIT.
 7. FRONT AND REAR SERVICE ACCESS REQUIRED.
 8. AIR FLOW AND SERVICE REQUIREMENTS, AS WELL AS MINIMUM CLEARANCE TO FIRE SUPPRESSION SYSTEMS SHOULD BE CONSIDERED WHEN LOCATING THE ENCLOSURE.



THIS DRAWING AND SPECIFICATIONS HEREIN ARE THE PROPERTY OF SCHNEIDER ELECTRIC AND SHALL NOT BE COPIED, REPRODUCED OR USED IN WHOLE OR IN PART, AS THE BASIS FOR THE MANUFACTURE OR SALE OF ITEMS WITHOUT WRITTEN PERMISSION FROM SCHNEIDER ELECTRIC. THIS DRAWING IS BASED UPON LATEST AVAILABLE INFORMATION AND IS SUBJECT TO CHANGE WITHOUT NOTICE.



TITLE:	NetShelter SX 45U 600mm WIDE X 1070mm DEEP ENCLOSURE WITH SIDES-SHOCK PACKAGING GENERAL ARRANGEMENT	DWG NO:	AR3105SP	REV:	1
PROJECT:	SUBMITTAL DRAWINGS	SHEET:	4 OF 6	DRAWN BY:	JAYAPRAKASH 15-JUN-17
				ENGINEER:	JIE ZHU 15-JUN-17
				APPROVED BY:	GREG IVEY 15-JUN-17
					FIRST ANGLE PROJECTION



- NOTES:
1. INSTALLATION SHALL COMPLY WITH ALL APPLICABLE NATIONAL, STATE AND LOCAL ELECTRICAL REGULATIONS.
 2. REFER TO PRODUCT DOCUMENTATION FOR ADDITIONAL DETAILS PRIOR TO INSTALLATION AND SITE PREPARATION WORK.
 3. ALL DIMENSIONS ARE IN MILLIMETERS [INCHES].

THIS DRAWING AND SPECIFICATIONS HEREIN ARE THE PROPERTY OF SCHNEIDER ELECTRIC AND SHALL NOT BE COPIED, REPRODUCED OR USED IN WHOLE OR IN PART, AS THE BASIS FOR THE MANUFACTURE OR SALE OF ITEMS WITHOUT WRITTEN PERMISSION FROM SCHNEIDER ELECTRIC. THIS DRAWING IS BASED UPON LATEST AVAILABLE INFORMATION AND IS SUBJECT TO CHANGE WITHOUT NOTICE.

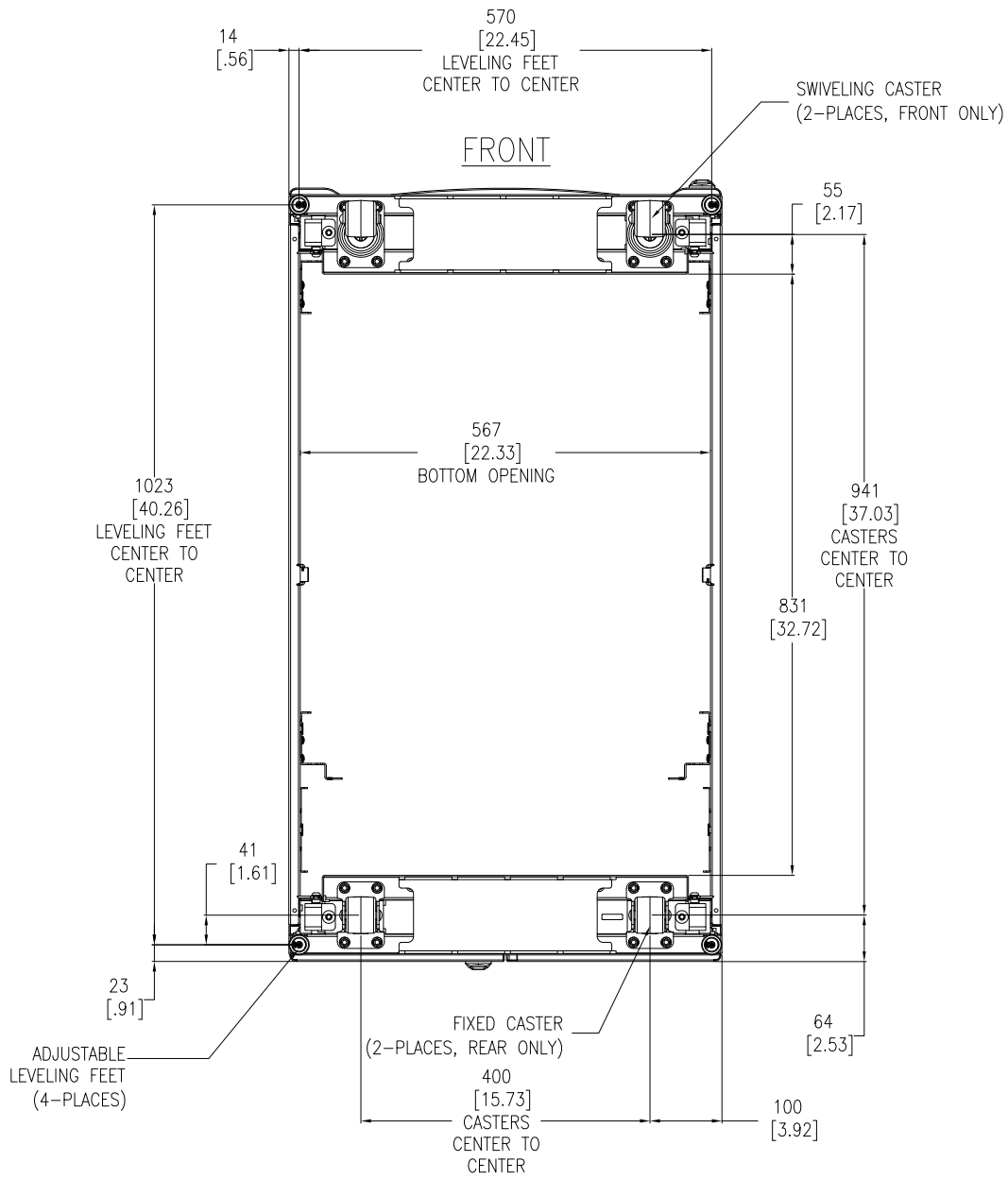
Schneider Electric

TITLE: NetShelter SX 45U
600mm WIDE X 1070mm DEEP
ENCLOSURE WITH SIDES-SHOCK PACKAGING
TOP VIEW & SECTION VIEW

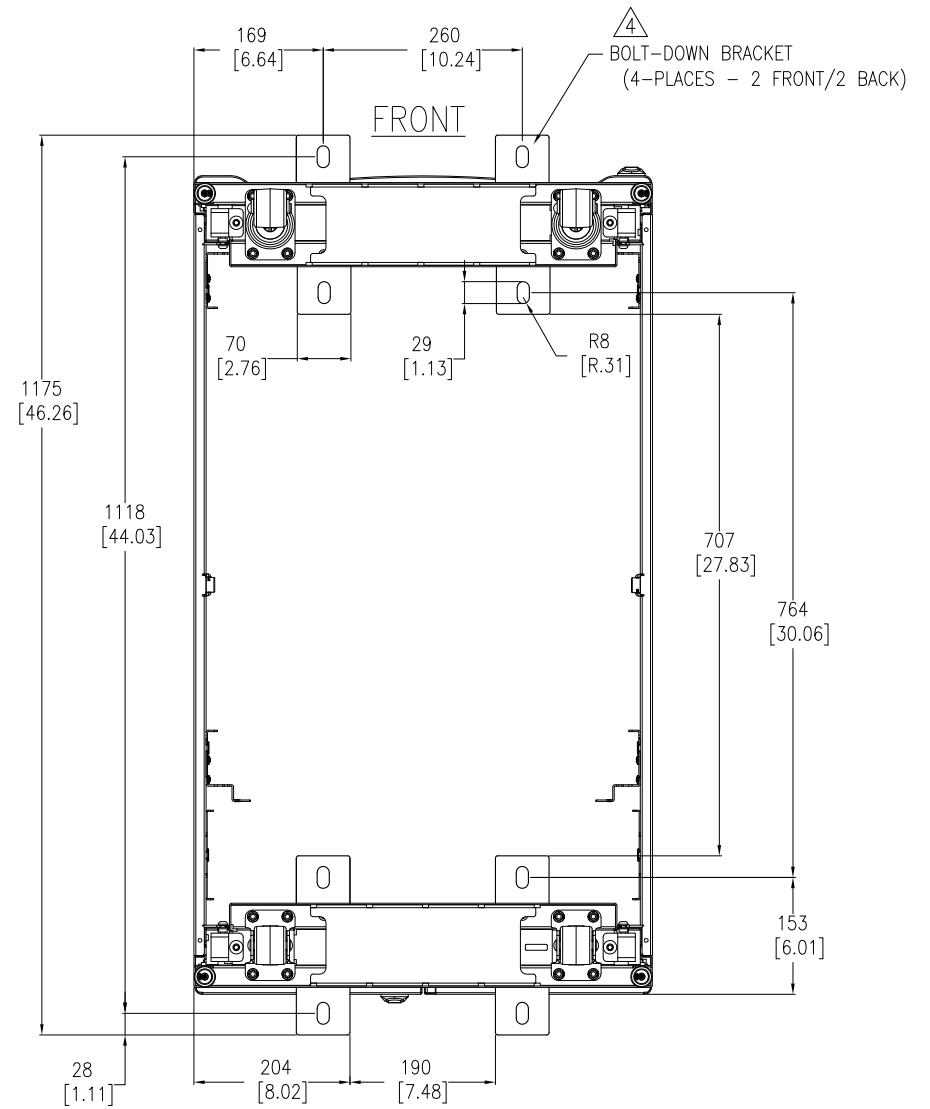
PROJECT: SUBMITTAL DRAWINGS SHEET 5 OF 6

DWG NO: AR3105SP REV. 1

DRAWN BY: JAYAPRAKASH	15-JUN-17	FIRST ANGLE
ENGINEER: JIE ZHU	15-JUN-17	PROJECTION
APPROVED BY: GREG MEY	15-JUN-17	



BOTTOM VIEW
(TOP ROOF NOT SHOWN)



BOTTOM VIEW
(WITH OPTIONAL BOLT-DOWN BRACKETS FOR ANCHORING)
TOP ROOF NOT SHOWN

- NOTES:**
1. INSTALLATION SHALL COMPLY WITH ALL APPLICABLE NATIONAL, STATE AND LOCAL ELECTRICAL REGULATIONS.
 2. REFER TO PRODUCT DOCUMENTATION FOR ADDITIONAL DETAILS PRIOR TO INSTALLATION AND SITE PREPARATION WORK.
 3. ALL DIMENSIONS ARE IN MILLIMETERS [INCHES].
- △4. BOLT-DOWN KIT (SKU# AR7701) IS OPTIONAL AND HAS TO BE ORDERED SEPARATELY.

THIS DRAWING AND SPECIFICATIONS HEREIN ARE THE PROPERTY OF SCHNEIDER ELECTRIC AND SHALL NOT BE COPIED, REPRODUCED OR USED IN WHOLE OR IN PART, AS THE BASIS FOR THE MANUFACTURE OR SALE OF ITEMS WITHOUT WRITTEN PERMISSION FROM SCHNEIDER ELECTRIC. THIS DRAWING IS BASED UPON LATEST AVAILABLE INFORMATION AND IS SUBJECT TO CHANGE WITHOUT NOTICE.



TITLE:
NetShelter SX 45U
600mm WIDE X 1070mm DEEP
ENCLOSURE WITH SIDES-SHOCK PACKAGING
BOTTOM VIEWS

PROJECT: SUBMITTAL DRAWINGS **SHEET:** 6 OF 6

DWG NO: AR3105SP **REV:** 0

DRAWN BY: JAYAPRAKASH	15-JUN-17	FIRST
ENGINEER: D HUDSON/ R PHILLIPS	15-JUN-17	ANGLE
APPROVED BY: GREG IVEY	15-JUN-17	PROJECTION