

NOTES:

1. INSTALLATION SHALL COMPLY WITH ALL APPLICABLE NATIONAL, STATE AND LOCAL CODES.
2. REFER TO PRODUCT DOCUMENTATION FOR ADDITIONAL DETAILS PRIOR TO INSTALLATION AND SITE PREPARATION WORK.

THIS DRAWING AND SPECIFICATIONS HEREIN ARE THE PROPERTY OF SCHNEIDER ELECTRIC AND SHALL NOT BE COPIED, REPRODUCED OR USED IN WHOLE OR IN PART, AS THE BASIS FOR THE MANUFACTURE OR SALE OF ITEMS WITHOUT WRITTEN PERMISSION FROM SCHNEIDER ELECTRIC. THIS DRAWING IS BASED UPON LATEST AVAILABLE INFORMATION AND IS SUBJECT TO CHANGE WITHOUT NOTICE.



TITLE: Galaxy VM
SYSTEM BYPASS CABINET 450K
Input: 480V, 3PH, 40-70Hz
Output: 480V, 3PH, 60Hz
ISOMETRIC VIEWS

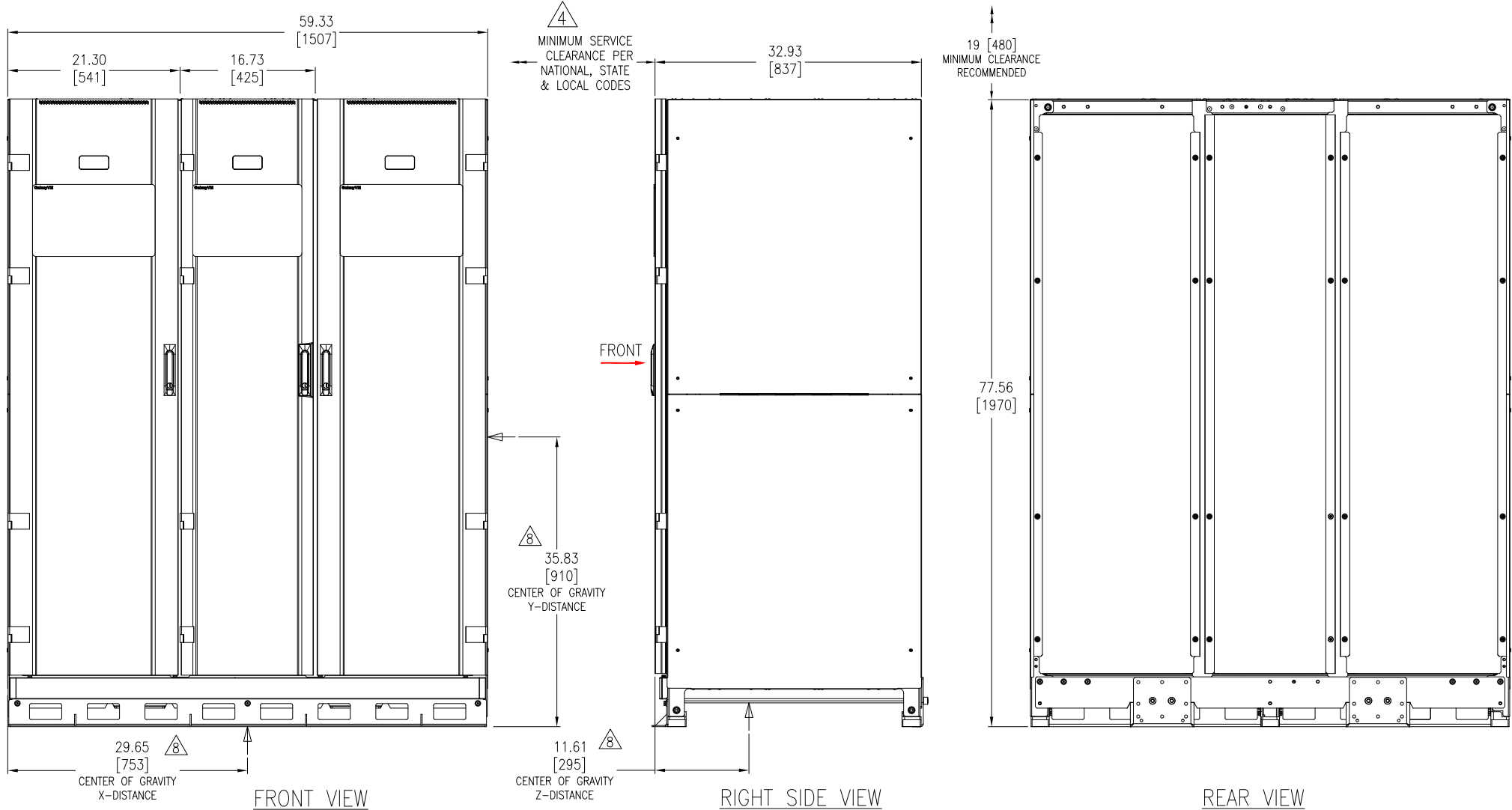
PROJECT: DRAWINGS **SHEET** 1 OF 7

DWG NO: GVMSBC450KG **REV.** 1

DRAWN BY: JAYAPRAKASH 12-FEB-14 **THIRD**

ENGINEER: Z WILLIAM 12-FEB-14 **ANGLE**

APPROVED BY: M PAULSEN 12-FEB-14 **PROJECTION**



NOTES:

1. INSTALLATION SHALL COMPLY WITH ALL APPLICABLE NATIONAL, STATE AND LOCAL CODES.
2. REFER TO PRODUCT DOCUMENTATION FOR ADDITIONAL DETAILS PRIOR TO INSTALLATION AND SITE PREPARATION WORK.
3. ALL DIMENSIONS ARE IN INCHES [MILLIMETERS].
- △4. FRONT ACCESS REQUIRED FOR SERVICE.
5. CABLE ENTRY IS FROM TOP OR BOTTOM OF THE UNIT.
6. THE WEIGHT OF THE UNIT IS 1067 LB [485 kg].
7. COLOR:
 SIDES+DOORS - RAL 9003 WHITE.
 DISPLAY - SCHNEIDER ELECTRIC GRAY.

△8 THIS INFORMATION PROVIDES CONSERVATIVE CENTER OF GRAVITY CALCULATION.

THIS DRAWING AND SPECIFICATIONS HEREIN ARE THE PROPERTY OF SCHNEIDER ELECTRIC AND SHALL NOT BE COPIED, REPRODUCED OR USED IN WHOLE OR IN PART, AS THE BASIS FOR THE MANUFACTURE OR SALE OF ITEMS WITHOUT WRITTEN PERMISSION FROM SCHNEIDER ELECTRIC. THIS DRAWING IS BASED UPON LATEST AVAILABLE INFORMATION AND IS SUBJECT TO CHANGE WITHOUT NOTICE.



TITLE: Galaxy VM
 SYSTEM BYPASS CABINET 450K
 Input: 480V, 3PH, 40-70Hz
 Output: 480V, 3PH, 60Hz
 GENERAL ARRANGEMENT

DWG NO: GVMSBC450KG

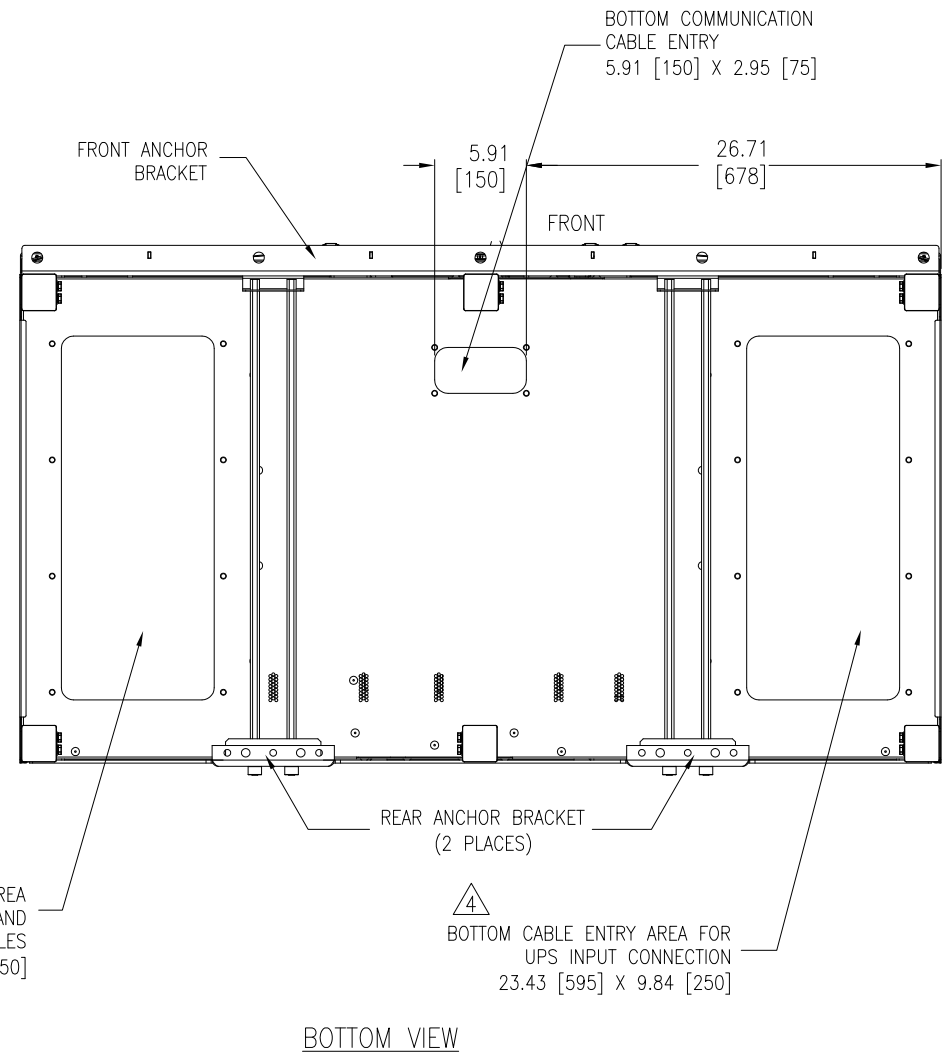
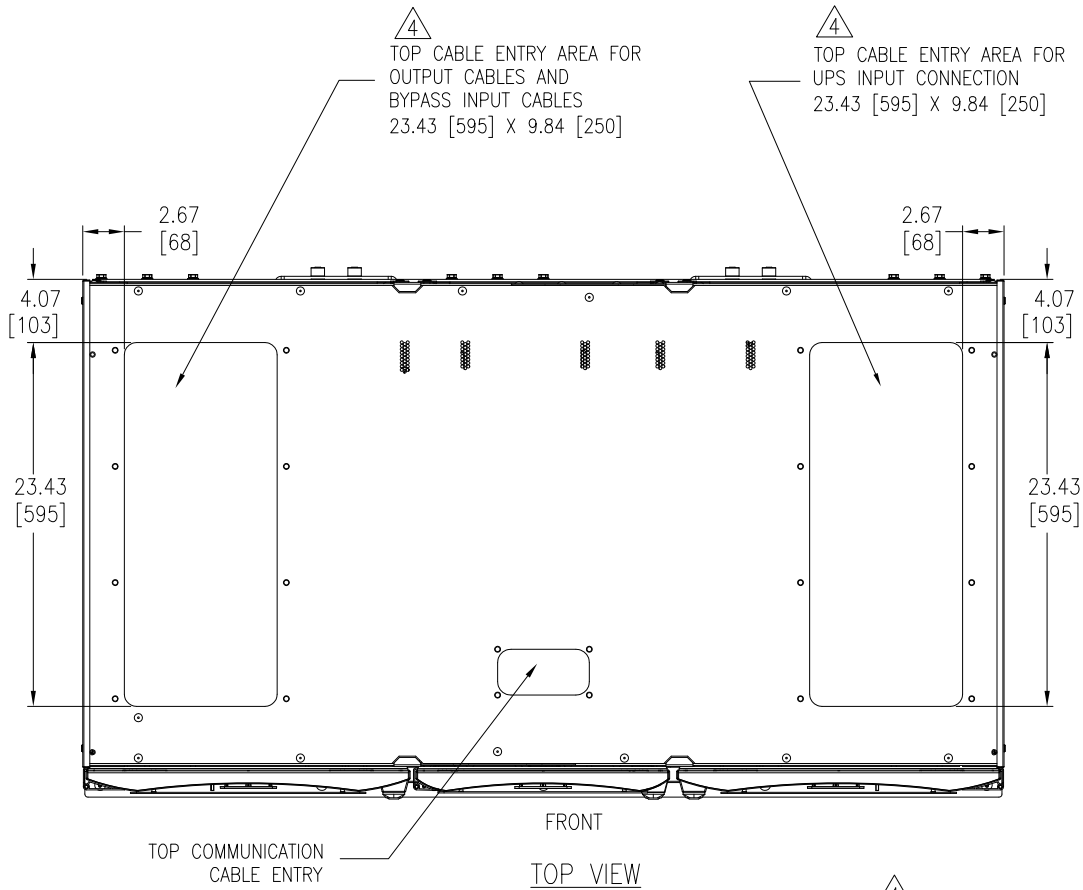
REV. 1

DRAWN BY: JAYAPRAKASH 12-FEB-14 THIRD

ENGINEER: Z WILLIAM 12-FEB-14 ANGLE

PROJECT: DRAWINGS SHEET 2 OF 7

APPROVED BY: M PAULSEN 12-FEB-14 PROJECTION



NOTES:

1. INSTALLATION SHALL COMPLY WITH ALL APPLICABLE NATIONAL, STATE AND LOCAL CODES.
2. REFER TO PRODUCT DOCUMENTATION FOR ADDITIONAL DETAILS PRIOR TO INSTALLATION AND SITE PREPARATION WORK.
3. ALL DIMENSIONS ARE IN INCHES [MILLIMETERS].
- △ 4. DRILL/PUNCH HOLES IN PLATE. REMOVE PLATE FROM CABINET BEFORE DRILLING/PUNCHING.

THIS DRAWING AND SPECIFICATIONS HEREIN ARE THE PROPERTY OF SCHNEIDER ELECTRIC AND SHALL NOT BE COPIED, REPRODUCED OR USED IN WHOLE OR IN PART, AS THE BASIS FOR THE MANUFACTURE OR SALE OF ITEMS WITHOUT WRITTEN PERMISSION FROM SCHNEIDER ELECTRIC. THIS DRAWING IS BASED UPON LATEST AVAILABLE INFORMATION AND IS SUBJECT TO CHANGE WITHOUT NOTICE.

Schneider Electric

TITLE: Galaxy VM
SYSTEM BYPASS CABINET 450K
Input: 480V, 3PH, 40-70Hz
Output: 480V, 3PH, 60Hz
TOP AND BOTTOM VIEWS

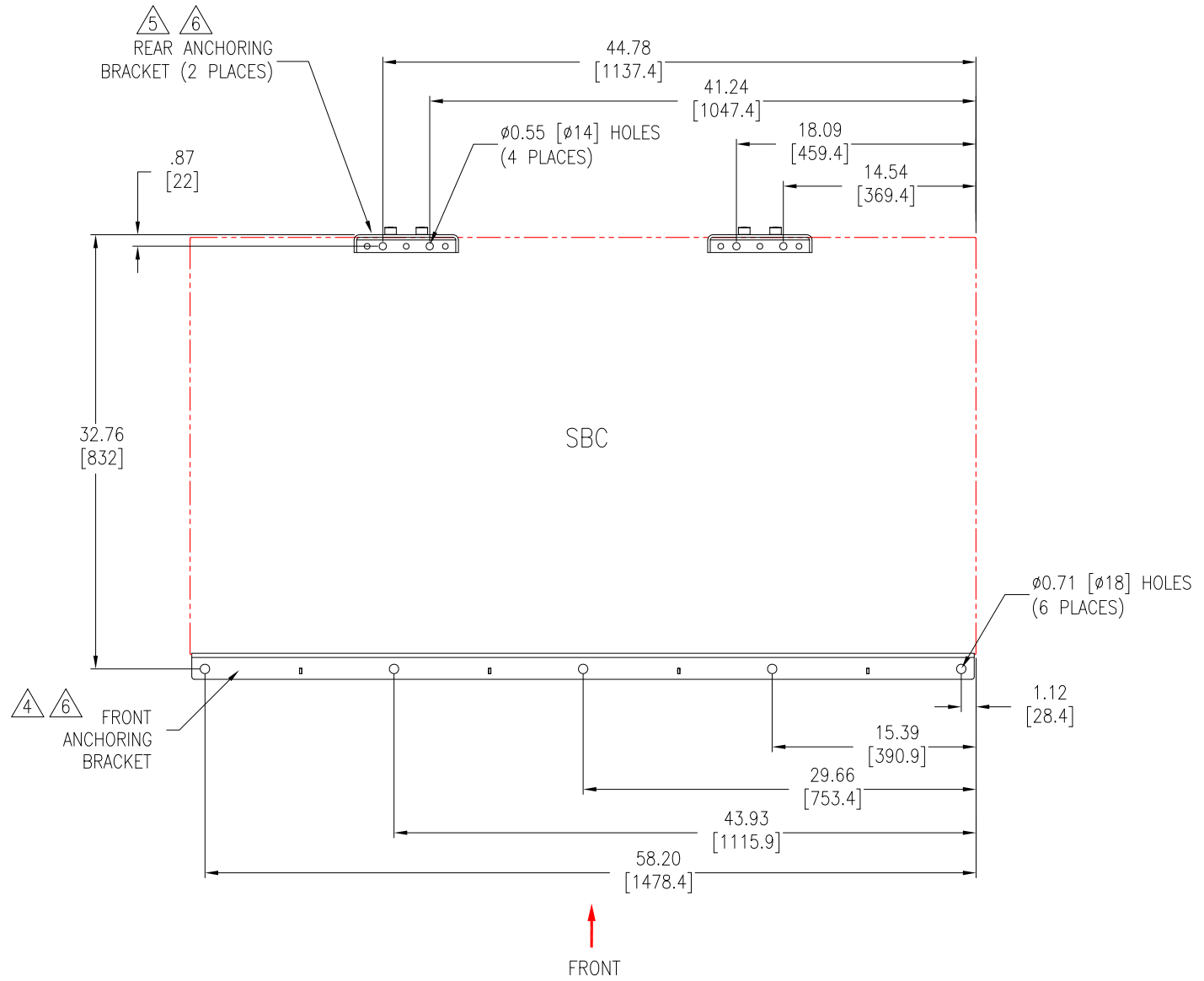
PROJECT: DRAWINGS SHEET 3 OF 7

DWG NO: GVMSBC450KG REV. 1

DRAWN BY: JAYAPRAKASH 12-FEB-14 THIRD

ENGINEER: Z WILLIAM 12-FEB-14 ANGLE

APPROVED BY: M PAULSEN 12-FEB-14 PROJECTION



TOP VIEW
MOUNTING HOLE LOCATIONS
FOR ANCHORING BRACKETS

- NOTES:
1. INSTALLATION SHALL COMPLY WITH ALL APPLICABLE NATIONAL, STATE AND LOCAL CODES.
 2. REFER TO PRODUCT DOCUMENTATION FOR ADDITIONAL DETAILS PRIOR TO INSTALLATION AND SITE PREPARATION WORK.
 3. ALL DIMENSIONS ARE IN INCHES [MILLIMETERS].
 4. FIXATION OF ANCHORING BRACKETS IN FRONT IS OPTIONAL IN NON-SEISMIC LOCATIONS. FOR SEISMIC COMPLIANCE, USE CODE COMPLIANT FASTENERS TO SECURE UNIT TO THE FLOOR.
 5. USE THE BAYING BRACKET THAT WAS ATTACHED TO THE REAR PALLET OF THE CABINET FOR ANCHORING THE UNIT.
 6. IN AREAS WHERE SEISMIC PROTECTION IS REQUIRED, FOLLOW THE INSTRUCTION IN GVMANCHORING-SA DRAWING. FLOOR ANCHORING BOLTS ARE NOT SUPPLIED.
 7. FOR INSTALLATION ON RAISED FLOOR, FOLLOW THE INSTRUCTION IN GVMANCHORING-RF DRAWING. FLOOR ANCHORING BOLTS ARE NOT SUPPLIED.

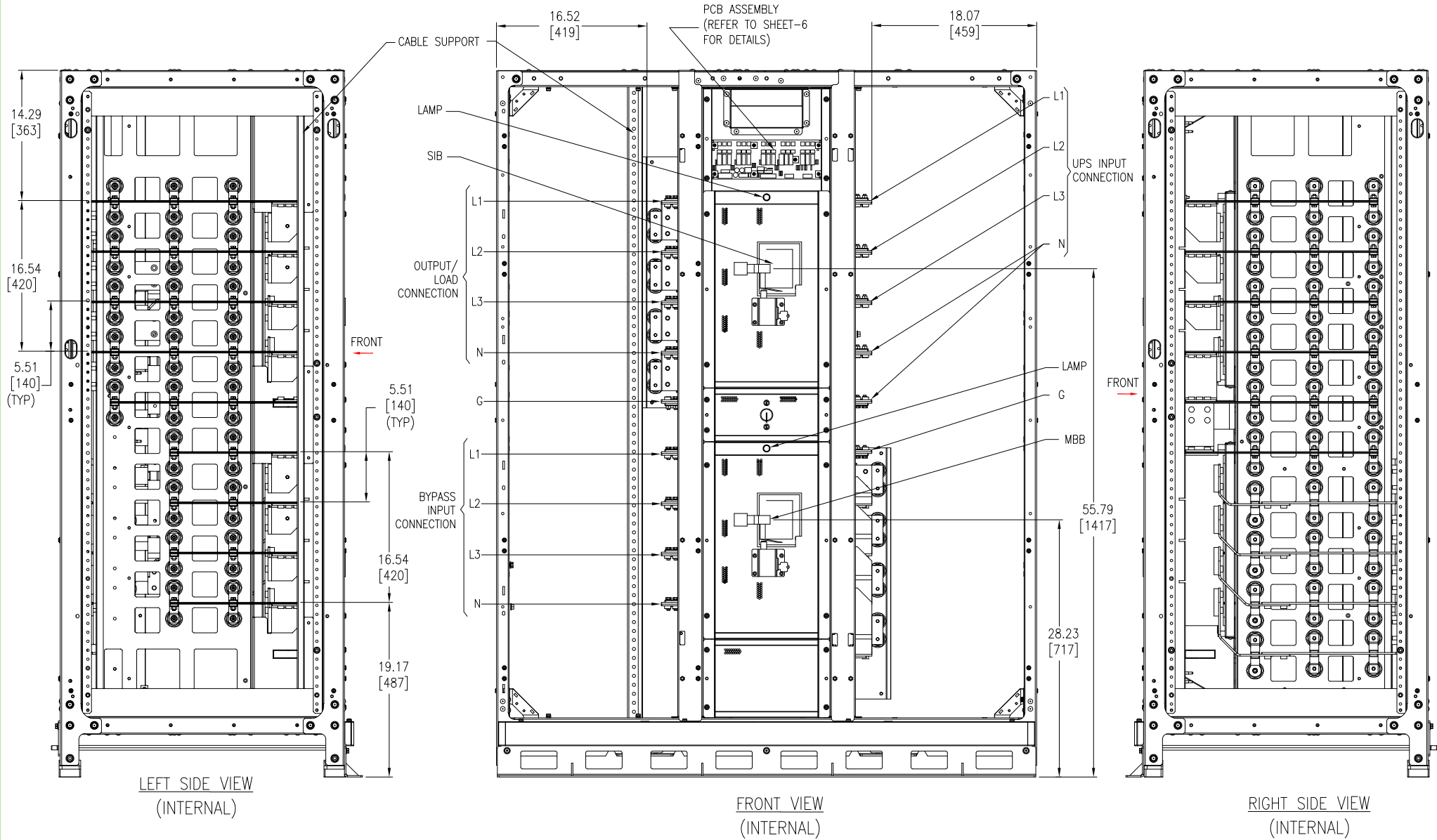
THIS DRAWING AND SPECIFICATIONS HEREIN ARE THE PROPERTY OF SCHNEIDER ELECTRIC AND SHALL NOT BE COPIED, REPRODUCED OR USED IN WHOLE OR IN PART, AS THE BASIS FOR THE MANUFACTURE OR SALE OF ITEMS WITHOUT WRITTEN PERMISSION FROM SCHNEIDER ELECTRIC. THIS DRAWING IS BASED UPON LATEST AVAILABLE INFORMATION AND IS SUBJECT TO CHANGE WITHOUT NOTICE.



TITLE: Galaxy VM
SYSTEM BYPASS CABINET 450K
Input: 480V, 3PH, 40-70Hz
Output: 480V, 3PH, 60Hz
ANCHORING DETAILS

PROJECT: DRAWINGS SHEET 4 OF 7

DWG NO:	GVMSBC450KG	REV.	1
DRAWN BY:	JAYAPRAKASH	12-FEB-14	THIRD
ENGINEER:	Z WILLIAM	12-FEB-14	ANGLE
APPROVED BY:	M PAULSEN	12-FEB-14	PROJECTION



NOTES:

1. INSTALLATION SHALL COMPLY WITH ALL APPLICABLE NATIONAL, STATE AND LOCAL CODES.
2. REFER TO PRODUCT DOCUMENTATION FOR ADDITIONAL DETAILS PRIOR TO INSTALLATION AND SITE PREPARATION WORK.
3. ALL DIMENSIONS ARE IN INCHES [MILLIMETERS].
4. SOME STRUCTURAL DETAILS HAVE BEEN OMITTED FOR THE PURPOSE OF CLARITY.

THIS DRAWING AND SPECIFICATIONS HEREIN ARE THE PROPERTY OF SCHNEIDER ELECTRIC AND SHALL NOT BE COPIED, REPRODUCED OR USED IN WHOLE OR IN PART, AS THE BASIS FOR THE MANUFACTURE OR SALE OF ITEMS WITHOUT WRITTEN PERMISSION FROM SCHNEIDER ELECTRIC. THIS DRAWING IS BASED UPON LATEST AVAILABLE INFORMATION AND IS SUBJECT TO CHANGE WITHOUT NOTICE.



TITLE: Galaxy VM
SYSTEM BYPASS CABINET 450K
Input: 480V, 3PH, 40-70Hz
Output: 480V, 3PH, 60Hz
INTERNAL VIEWS

PROJECT: DRAWINGS SHEET 5 OF 7

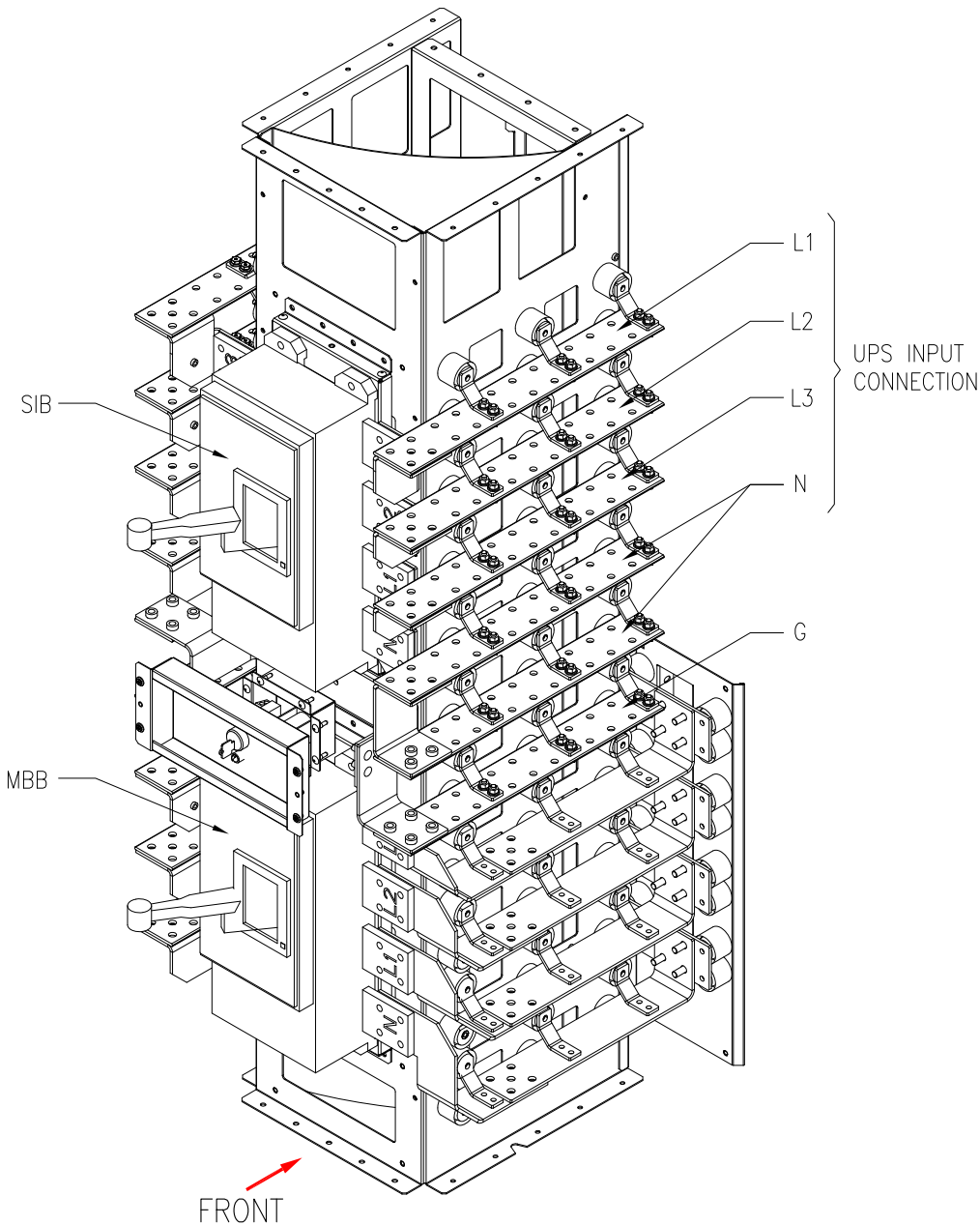
DWG NO: GVMSBC450KG

REV. 2

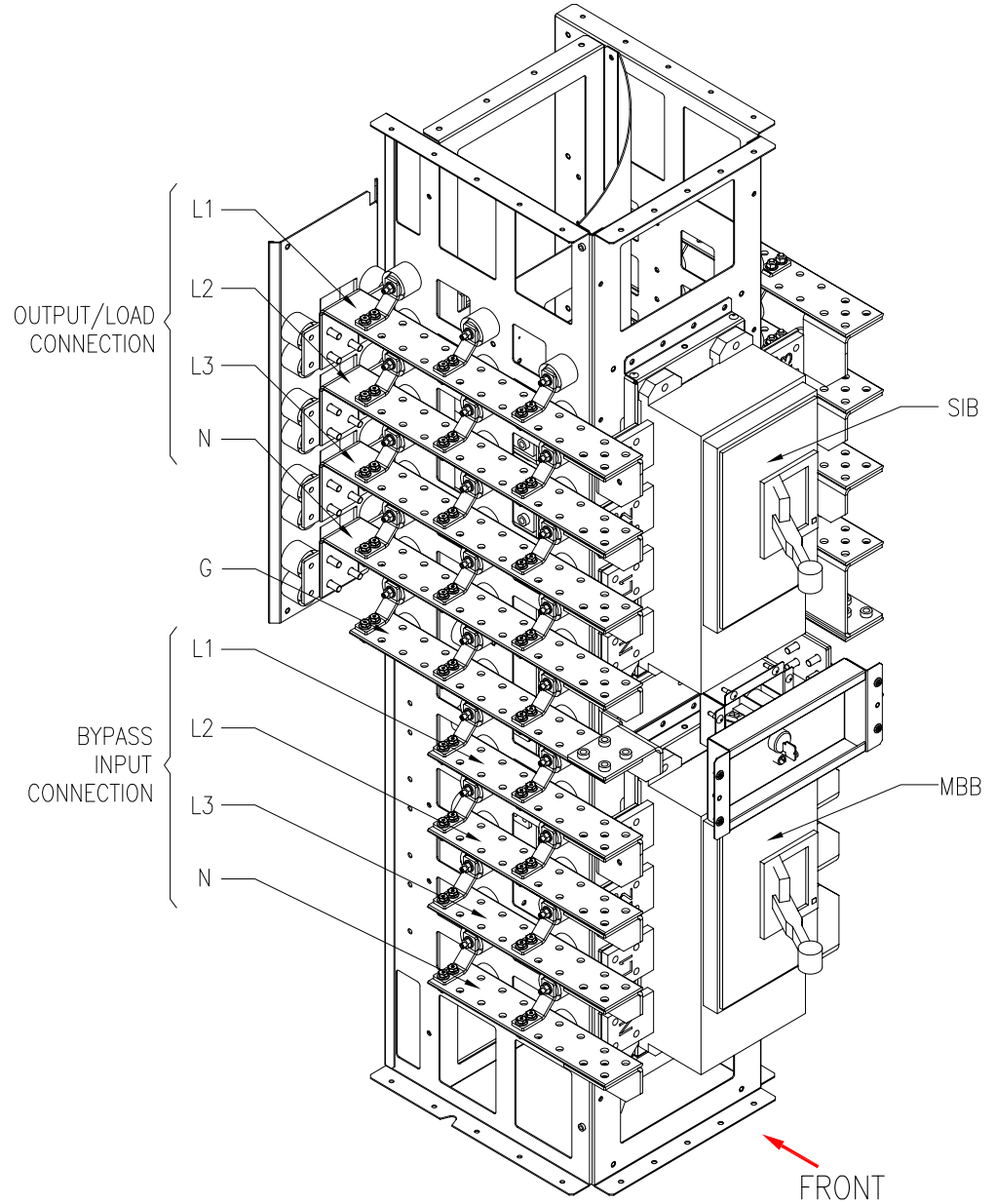
DRAWN BY: JAYAPRAKASH/BALA 30-OCT-14 THIRD

ENGINEER: Z WILLIAM 31-OCT-14 ANGLE

APPROVED BY: M PAULSEN 31-OCT-14 PROJECTION



BUSBAR DETAILS ISOMETRIC VIEW



BUSBAR DETAILS ISOMETRIC VIEW

NOTES:

1. INSTALLATION SHALL COMPLY WITH ALL APPLICABLE NATIONAL, STATE AND LOCAL CODES.
2. REFER TO PRODUCT DOCUMENTATION FOR ADDITIONAL DETAILS PRIOR TO INSTALLATION AND SITE PREPARATION WORK.
3. SOME STRUCTURAL DETAILS HAVE BEEN OMITTED FOR THE PURPOSE OF CLARITY.

THIS DRAWING AND SPECIFICATIONS HEREIN ARE THE PROPERTY OF SCHNEIDER ELECTRIC AND SHALL NOT BE COPIED, REPRODUCED OR USED IN WHOLE OR IN PART, AS THE BASIS FOR THE MANUFACTURE OR SALE OF ITEMS WITHOUT WRITTEN PERMISSION FROM SCHNEIDER ELECTRIC. THIS DRAWING IS BASED UPON LATEST AVAILABLE INFORMATION AND IS SUBJECT TO CHANGE WITHOUT NOTICE.



TITLE: Galaxy VM
SYSTEM BYPASS CABINET 450K
Input: 480V, 3PH, 40-70Hz
Output: 480V, 3PH, 60Hz
BUSBAR DETAILS

PROJECT: DRAWINGS SHEET 6 OF 7

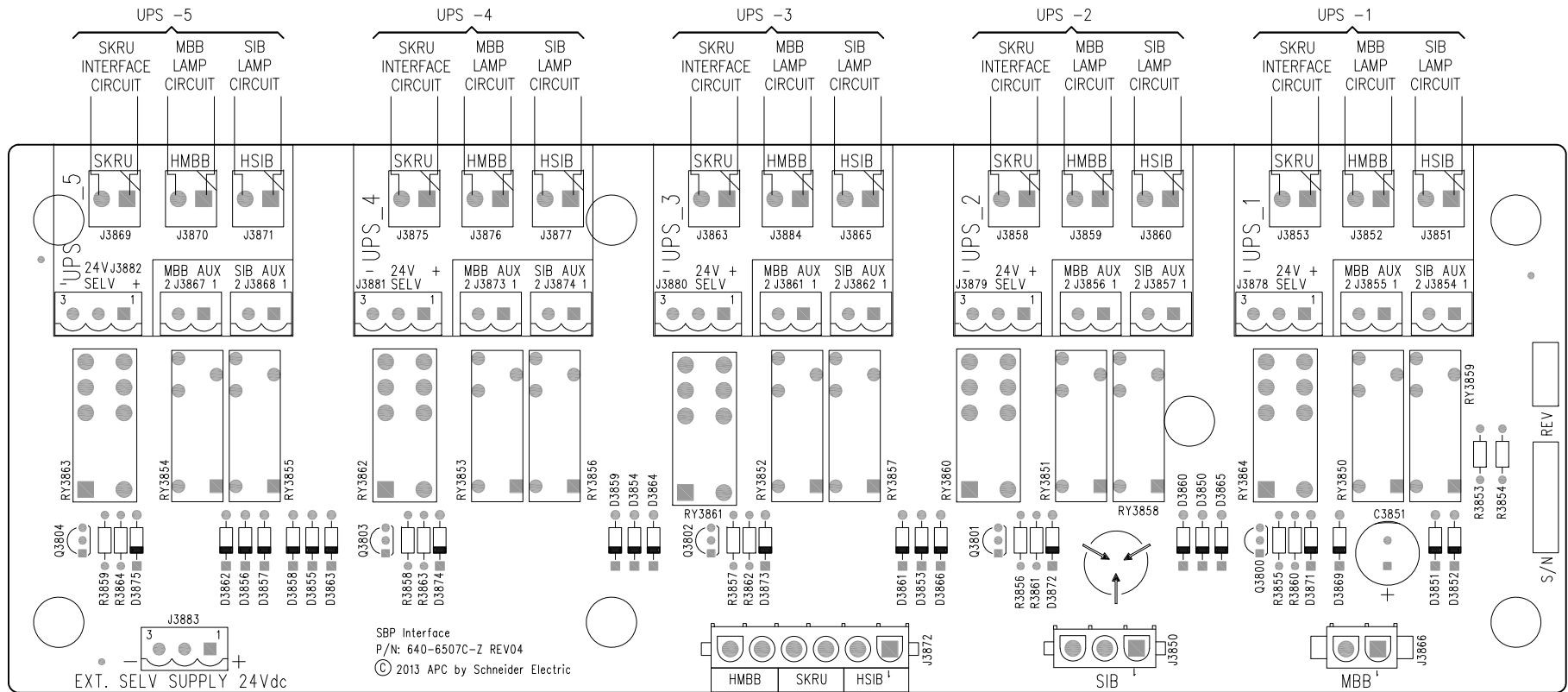
DWG NO: GVMSBC450KG **REV.** 2

DRAWN BY: JAYAPRAKASH/BALA 30-OCT-14 **THIRD**

ENGINEER: Z WILLIAM 31-OCT-14 **ANGLE**

APPROVED BY: M PAULSEN 31-OCT-14 **PROJECTION**

INTERFACE PCB DETAILS



- NOTES:**
1. INSTALLATION SHALL COMPLY WITH ALL APPLICABLE NATIONAL, STATE AND LOCAL CODES.
 2. REFER TO PRODUCT DOCUMENTATION FOR ADDITIONAL DETAILS PRIOR TO INSTALLATION AND SITE PREPARATION WORK.

THIS DRAWING AND SPECIFICATIONS HEREIN ARE THE PROPERTY OF SCHNEIDER ELECTRIC AND SHALL NOT BE COPIED, REPRODUCED OR USED IN WHOLE OR IN PART, AS THE BASIS FOR THE MANUFACTURE OR SALE OF ITEMS WITHOUT WRITTEN PERMISSION FROM SCHNEIDER ELECTRIC. THIS DRAWING IS BASED UPON LATEST AVAILABLE INFORMATION AND IS SUBJECT TO CHANGE WITHOUT NOTICE.



TITLE: Galaxy VM
SYSTEM BYPASS CABINET 450K
Input: 480V, 3PH, 40-70Hz
Output: 480V, 3PH, 60Hz
INTERFACE PCB DETAILS

PROJECT: DRAWINGS SHEET 7 OF 7

DWG NO: GVMSBC450KG **REV.** 2

DRAWN BY: JAYAPRAKASH/BALA 31-OCT-14 **THIRD**

ENGINEER: Z WILLIAM 31-OCT-14 **ANGLE**

APPROVED BY: M PAULSEN 31-OCT-14 **PROJECTION**