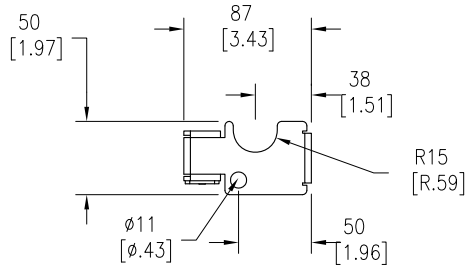
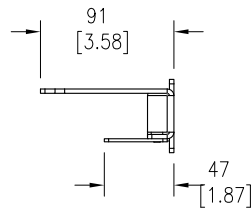


MOUNTING BRACKETS

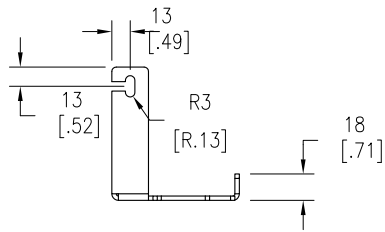
ASSY BRKT RACK & AL EXTRUSION RC RD ACS



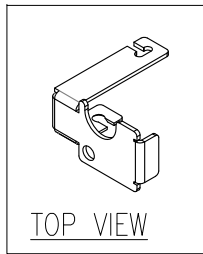
FRONT VIEW



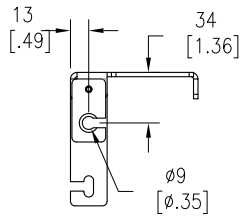
LEFT SIDE VIEW



TOP VIEW

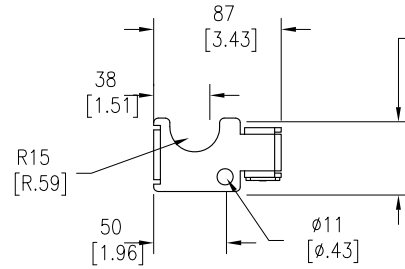


TOP VIEW

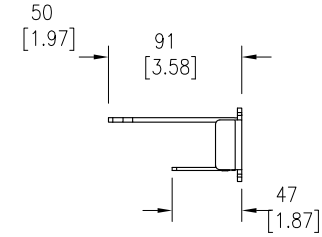


BOTTOM VIEW

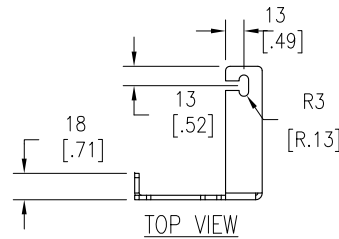
ASSY BRKT RACK & AL EXTRUSION RA ACS



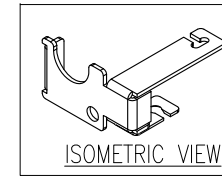
FRONT VIEW



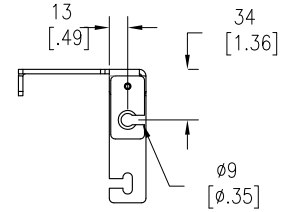
LEFT SIDE VIEW



TOP VIEW



ISOMETRIC VIEW



BOTTOM VIEW

NOTES:

1. COMPLY WITH ALL APPLICABLE NATIONAL AND LOCAL ELECTRICAL REGULATIONS.
2. REFER TO PRODUCT DOCUMENTATION FOR ADDITIONAL DETAILS PRIOR TO INSTALLATION AND SITE PREPARATION WORK.
3. ALL DIMENSIONS ARE IN MILLIMETERS [INCHES].
4. NET WEIGHT (ALL BRACKETS INCLUDED) IS 1.10kg [2.42lbs]

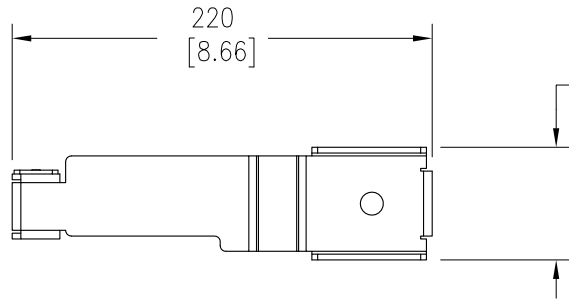
THIS DRAWING AND SPECIFICATIONS HEREIN ARE THE PROPERTY OF SCHNEIDER ELECTRIC AND SHALL NOT BE COPIED, REPRODUCED OR USED IN WHOLE OR IN PART, AS THE BASIS FOR THE MANUFACTURE OR SALE OF ITEMS WITHOUT WRITTEN PERMISSION FROM SCHNEIDER ELECTRIC. THIS DRAWING IS BASED UPON LATEST AVAILABLE INFORMATION AND IS SUBJECT TO CHANGE WITHOUT NOTICE.



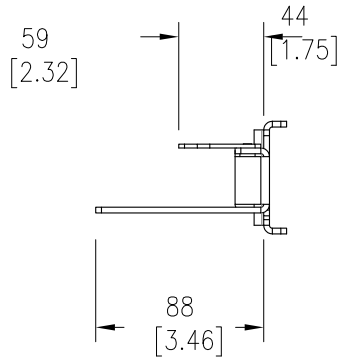
TITLE:
Eco-Aisle (TM) Aisle Containment System
MOUNTING BRKTS-CEILING PANEL RAIL
ASSY BRKT RACK & AL EXTRUSIONS
PROJECT: SUBMITTAL DRAWINGS SHEET 1 OF 3

DWG NO:	ACDC2005	REV.	0
DRAWN BY:	K.NAGENDRA	08-JUL-13	FIRST
ENGINEER:	RUSTIN SHI/MARK MENG	08-JUL-13	ANGLE
APPROVED BY:	AARON GRAFF	08-JUL-13	PROJ

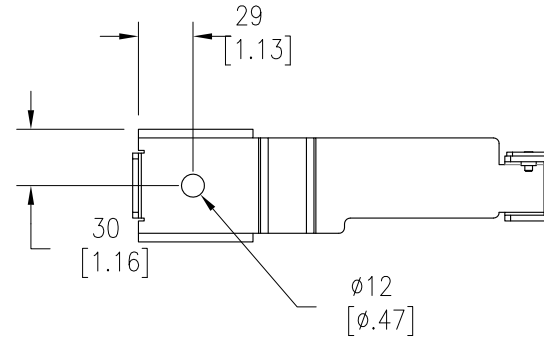
ASSY BRKT LH RACK AND ALUM AIRFLOW ACS



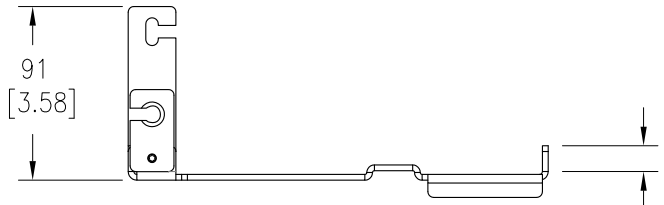
FRONT VIEW



LEFT SIDE VIEW

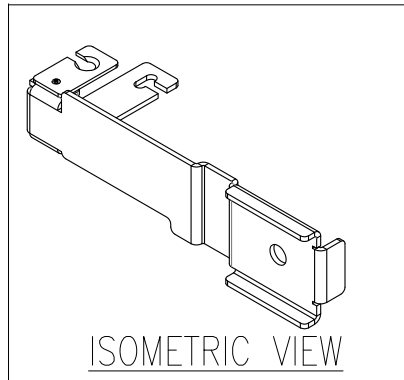


REAR VIEW

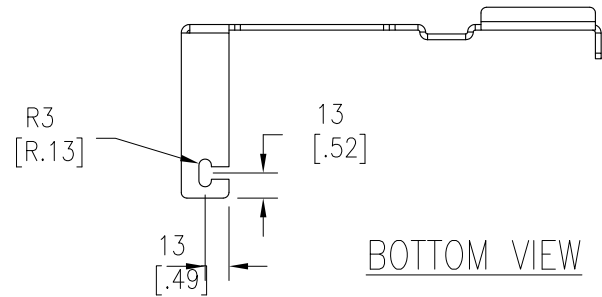


TOP VIEW

14
[.53]



ISOMETRIC VIEW



BOTTOM VIEW

NOTES:

1. COMPLY WITH ALL APPLICABLE NATIONAL AND LOCAL ELECTRICAL REGULATIONS.
2. REFER TO PRODUCT DOCUMENTATION FOR ADDITIONAL DETAILS PRIOR TO INSTALLATION AND SITE PREPARATION WORK.
3. ALL DIMENSIONS ARE IN MILLIMETERS [INCHES].

THIS DRAWING AND SPECIFICATIONS HEREIN ARE THE PROPERTY OF SCHNEIDER ELECTRIC AND SHALL NOT BE COPIED, REPRODUCED OR USED IN WHOLE OR IN PART, AS THE BASIS FOR THE MANUFACTURE OR SALE OF ITEMS WITHOUT WRITTEN PERMISSION FROM SCHNEIDER ELECTRIC. THIS DRAWING IS BASED UPON LATEST AVAILABLE INFORMATION AND IS SUBJECT TO CHANGE WITHOUT NOTICE.

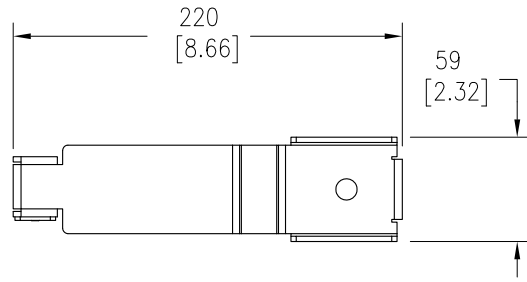


TITLE:
Eco-Aisle (TM) Aisle Containment System
MOUNTING BRKTS-CEILING PANEL RAIL
ASSY BRKT LH RACK

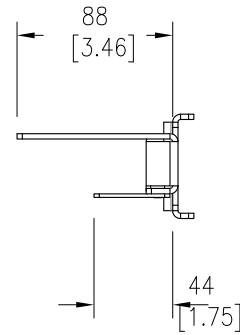
PROJECT: SUBMITTAL DRAWINGS SHEET 2 OF 3

DWG NO:	ACDC2005	REV.	0
DRAWN BY:	K.NAGENDRA	08-JUL-13	FIRST
ENGINEER:	RUSTIN SHI/MARK MENG	08-JUL-13	ANGLE
APPROVED BY:	AARON GRAFF	08-JUL-13	PROJ

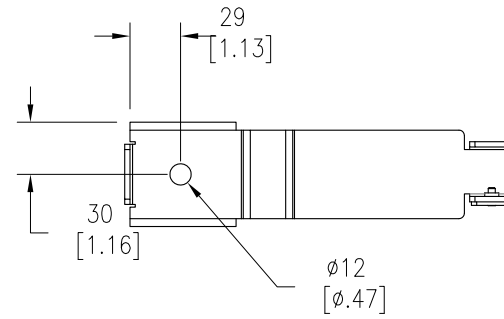
ASSY BRKT RH RACK AND ALUM AIRFLOW ACS



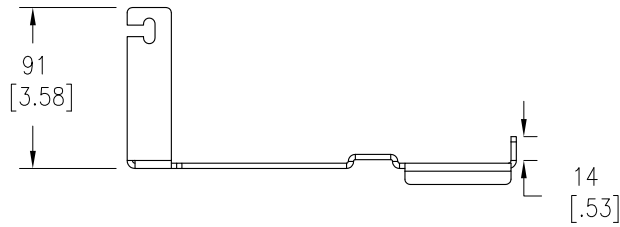
FRONT VIEW



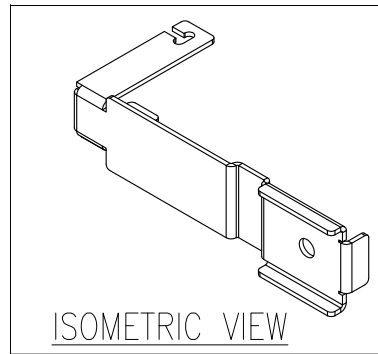
LEFT SIDE VIEW



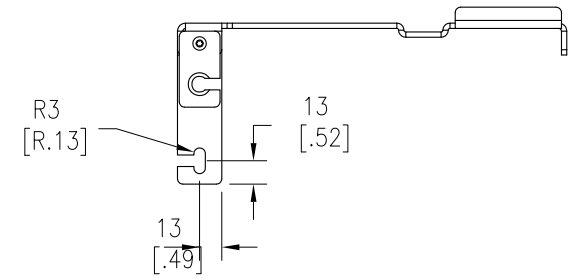
REAR VIEW



TOP VIEW



ISOMETRIC VIEW



BOTTOM VIEW

NOTES:

1. COMPLY WITH ALL APPLICABLE NATIONAL AND LOCAL ELECTRICAL REGULATIONS.
2. REFER TO PRODUCT DOCUMENTATION FOR ADDITIONAL DETAILS PRIOR TO INSTALLATION AND SITE PREPARATION WORK.
3. ALL DIMENSIONS ARE IN MILLIMETERS [INCHES].

THIS DRAWING AND SPECIFICATIONS HEREIN ARE THE PROPERTY OF SCHNEIDER ELECTRIC AND SHALL NOT BE COPIED, REPRODUCED OR USED IN WHOLE OR IN PART, AS THE BASIS FOR THE MANUFACTURE OR SALE OF ITEMS WITHOUT WRITTEN PERMISSION FROM SCHNEIDER ELECTRIC. THIS DRAWING IS BASED UPON LATEST AVAILABLE INFORMATION AND IS SUBJECT TO CHANGE WITHOUT NOTICE.



TITLE:		DWG NO: ACDC2005		REV: 0
Eco-Aisle (TM) Aisle Containment System MOUNTING BRKTS-CEILING PANEL RAIL ASSY BRKT RH RACK		DRAWN BY: K.NAGENDRA	08-JUL-13	FIRST
		ENGINEER: RUSTIN SHI/MARK MENG	08-JUL-13	ANGLE
PROJECT: SUBMITTAL DRAWINGS	SHEET 3 OF 3	APPROVED BY: AARON GRAFF	08-JUL-13	PROJ