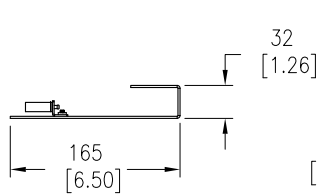
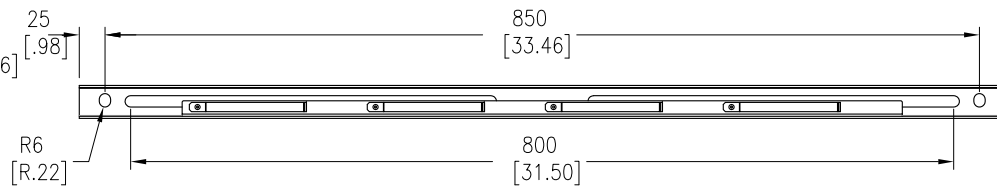


CEILING PANEL WALL MOUNT

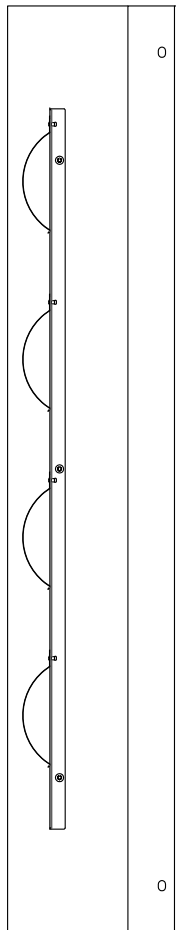
ASSEMBLY SPRING CHANNEL SMALL C BLK ACS



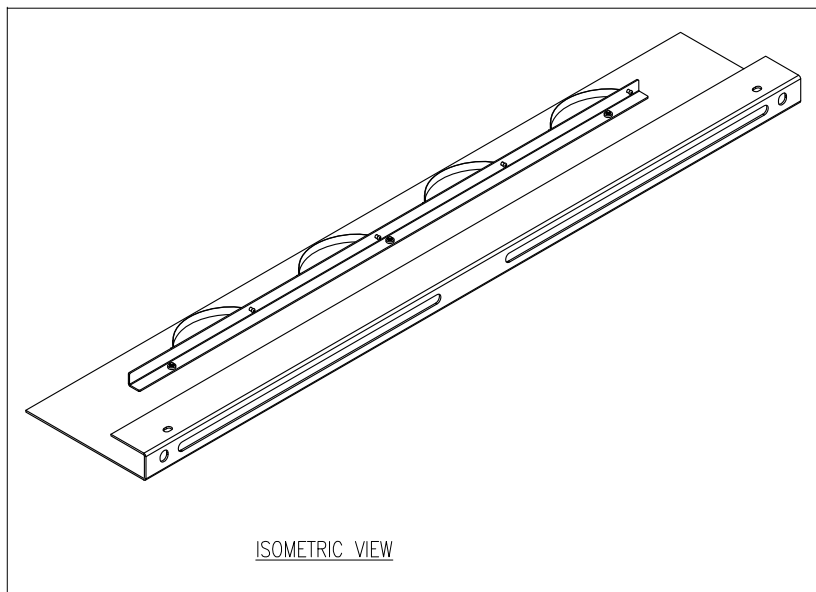
FRONT VIEW



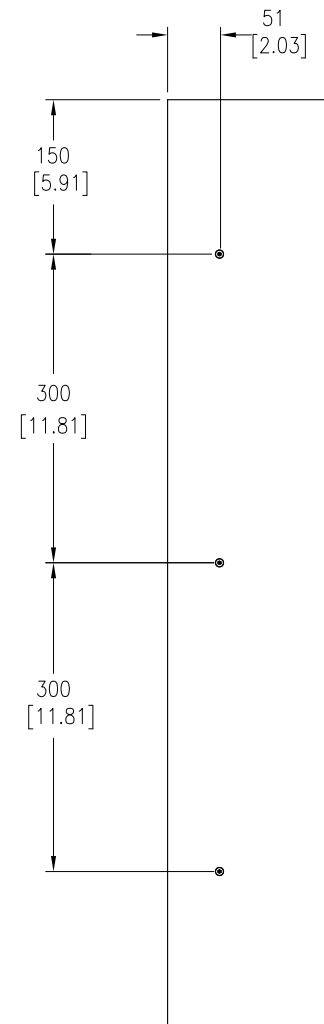
LEFT SIDE VIEW



TOP VIEW



ISOMETRIC VIEW



BOTTOM VIEW

NOTES:

1. COMPLY WITH ALL APPLICABLE NATIONAL AND LOCAL ELECTRICAL REGULATIONS.
2. REFER TO PRODUCT DOCUMENTATION FOR ADDITIONAL DETAILS PRIOR TO INSTALLATION AND SITE PREPARATION WORK.
3. ALL DIMENSIONS ARE IN MILLIMETERS [INCHES].
4. NET WEIGHT (ALL BRACKETS INCLUDED) IS 6.8kg [14.96lbs]

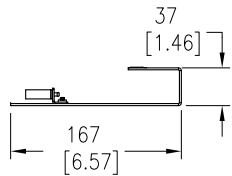
THIS DRAWING AND SPECIFICATIONS HEREIN ARE THE PROPERTY OF SCHNEIDER ELECTRIC AND SHALL NOT BE COPIED, REPRODUCED OR USED IN WHOLE OR IN PART, AS THE BASIS FOR THE MANUFACTURE OR SALE OF ITEMS WITHOUT WRITTEN PERMISSION FROM SCHNEIDER ELECTRIC. THIS DRAWING IS BASED UPON LATEST AVAILABLE INFORMATION AND IS SUBJECT TO CHANGE WITHOUT NOTICE.



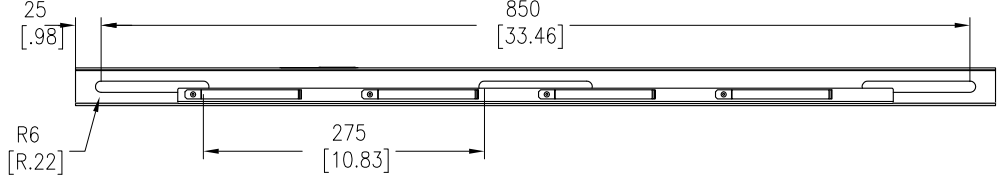
TITLE:  
Eco-Aisle (TM) Aisle Containment System  
CEILING PANEL WALL MOUNT  
ASSY SPRING CHANNEL SMALL C BLK ACS  
PROJECT: SUBMITTAL DRAWINGS SHEET 1 OF 2

DWG NO:	ACDC2004	REV.	0
DRAWN BY:	K.NAGENDRA	08-JUL-13	FIRST
ENGINEER:	RUSTIN SHI/MARK MENG	08-JUL-13	ANGLE
APPROVED BY:	AARON GRAFF	08-JUL-13	PROJ

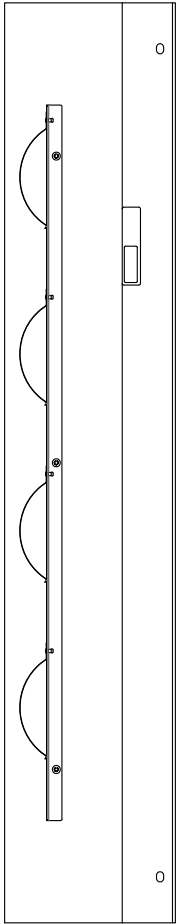
ASSEMBLY SPRING CHANNEL C BLK ACS



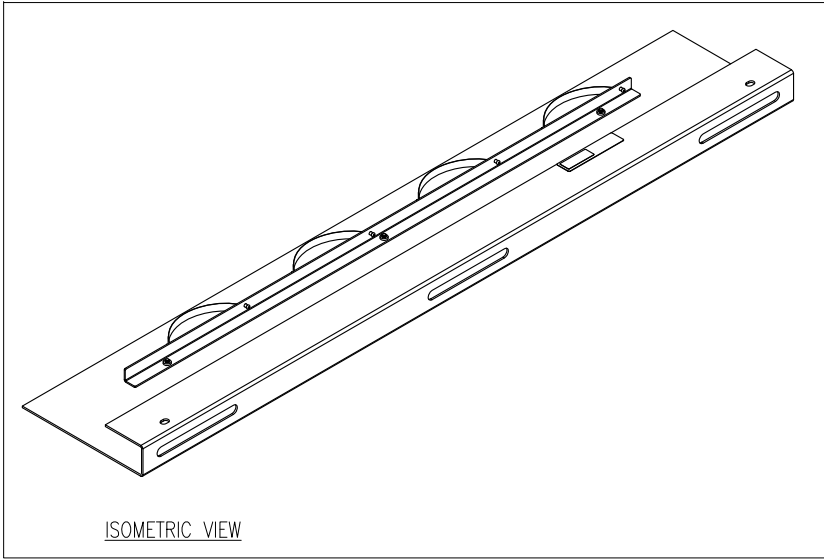
FRONT VIEW



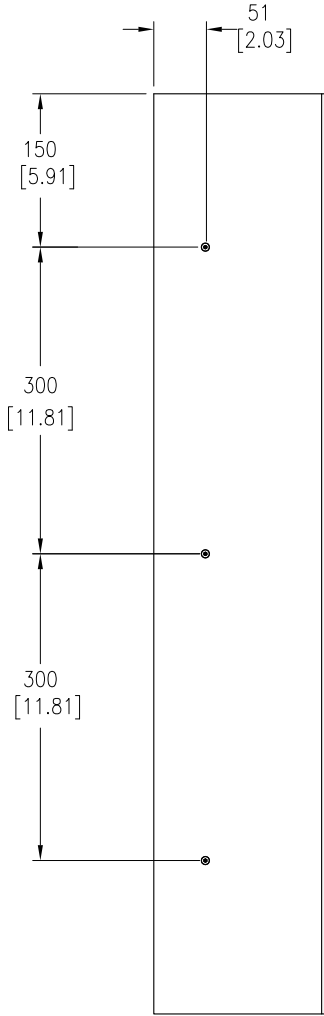
LEFT SIDE VIEW



TOP VIEW



ISOMETRIC VIEW



BOTTOM VIEW

NOTES:

1. COMPLY WITH ALL APPLICABLE NATIONAL AND LOCAL ELECTRICAL REGULATIONS.
2. REFER TO PRODUCT DOCUMENTATION FOR ADDITIONAL DETAILS PRIOR TO INSTALLATION AND SITE PREPARATION WORK.
3. ALL DIMENSIONS ARE IN MILLIMETERS [INCHES].

THIS DRAWING AND SPECIFICATIONS HEREIN ARE THE PROPERTY OF SCHNEIDER ELECTRIC AND SHALL NOT BE COPIED, REPRODUCED OR USED IN WHOLE OR IN PART, AS THE BASIS FOR THE MANUFACTURE OR SALE OF ITEMS WITHOUT WRITTEN PERMISSION FROM SCHNEIDER ELECTRIC. THIS DRAWING IS BASED UPON LATEST AVAILABLE INFORMATION AND IS SUBJECT TO CHANGE WITHOUT NOTICE.



TITLE:  
Eco-Aisle (TM) Aisle Containment System  
CEILING PANEL WALL MOUNT  
ASSY SPRING CHANNEL C BLK ACS  
PROJECT: SUBMITTAL DRAWINGS SHEET 2 OF 2

DWG NO: ACDC2004  
DRAWN BY: K.NAGENDRA  
ENGINEER: RUSTIN SHI/MARK MENG  
APPROVED BY: AARON GRAFF

REV. 0  
FIRST ANGLE PROJ