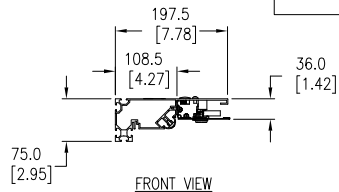


CEILING PANEL MOUNTING RAIL

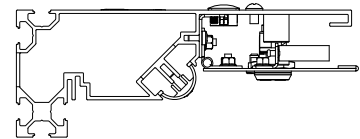
ACDC2000



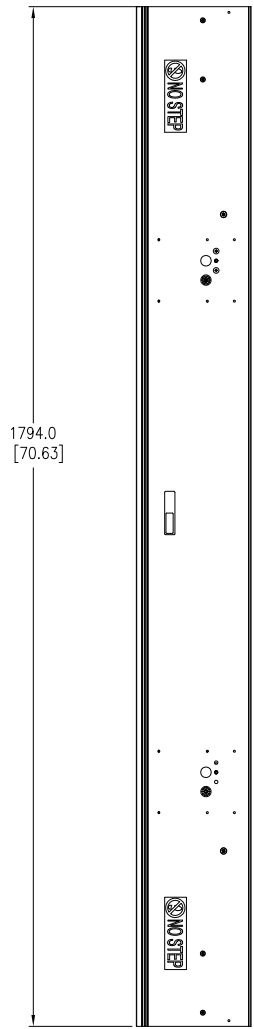
FRONT VIEW



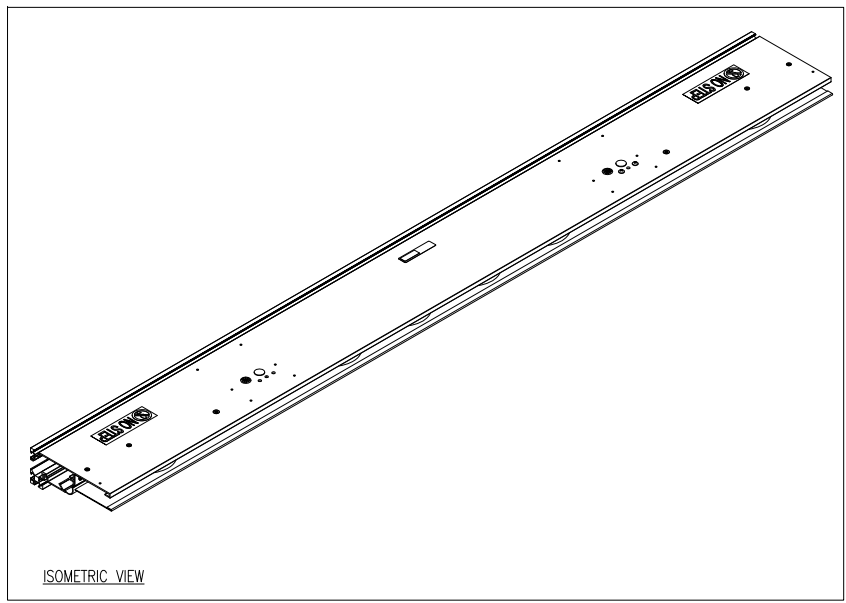
LEFT SIDE VIEW



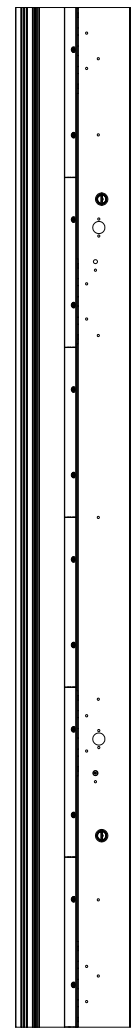
FRONT VIEW  
(ENLARGED)



TOP VIEW



ISOMETRIC VIEW



BOTTOM VIEW

NOTES:

1. COMPLY WITH ALL APPLICABLE NATIONAL AND LOCAL ELECTRICAL REGULATIONS.
2. REFER TO PRODUCT DOCUMENTATION FOR ADDITIONAL DETAILS PRIOR TO INSTALLATION AND SITE PREPARATION WORK.
3. ALL DIMENSIONS ARE IN MILLIMETERS [INCHES].
4. NET WEIGHT (ALL BRACKETS INCLUDED) IS 6.21kg [13.67lbs]

THIS DRAWING AND SPECIFICATIONS HEREIN ARE THE PROPERTY OF SCHNEIDER ELECTRIC AND SHALL NOT BE COPIED, REPRODUCED OR USED IN WHOLE OR IN PART, AS THE BASIS FOR THE MANUFACTURE OR SALE OF ITEMS WITHOUT WRITTEN PERMISSION FROM SCHNEIDER ELECTRIC. THIS DRAWING IS BASED UPON LATEST AVAILABLE INFORMATION AND IS SUBJECT TO CHANGE WITHOUT NOTICE.

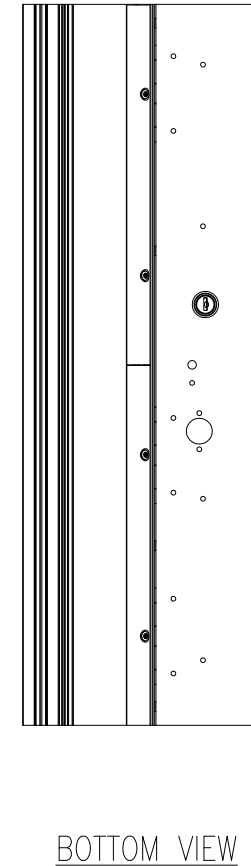
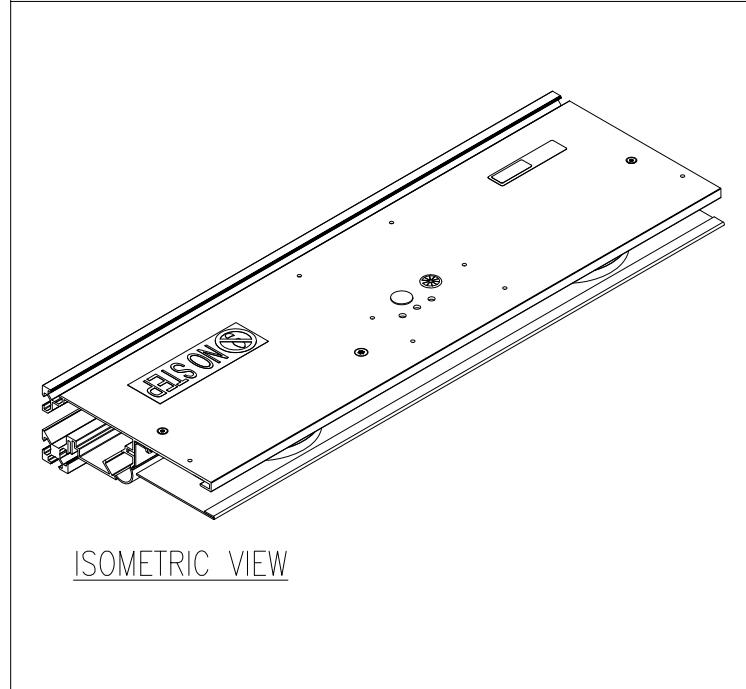
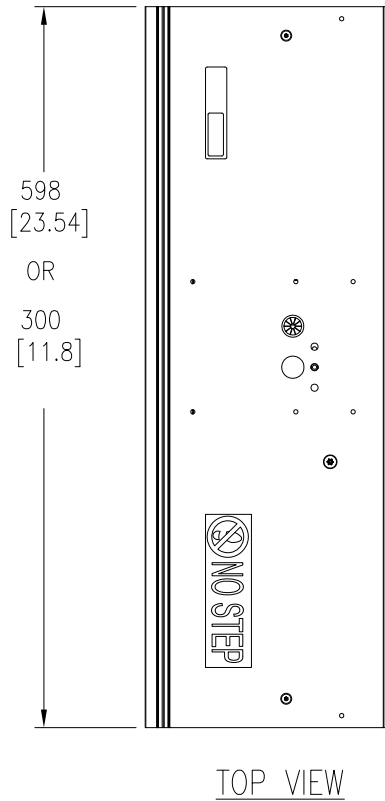
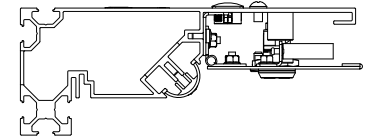
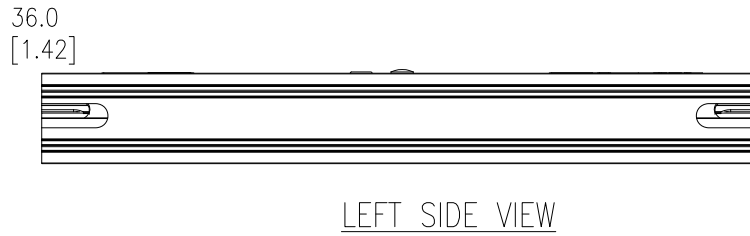
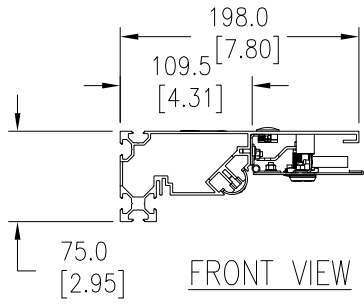


TITLE:  
Eco-Aisle (TM) Aisle Containment System  
CEILING PANEL  
ASSEMBLY-ACDC2000  
PROJECT: SUBMITTAL DRAWINGS SHEET 1 OF 5

DWG NO:	ACDC2000-2002	REV.	0
DRAWN BY:	K.NAGENDRA	06-JAN-14	FIRST
ENGINEER:	RUSTIN SHI/MARK MENG	06-JAN-14	ANGLE
APPROVED BY:	AARON GRAFF	06-JAN-14	PROJ

CEILING PANEL MOUNTING RAIL

ACDC2001-2002



NOTES:

1. COMPLY WITH ALL APPLICABLE NATIONAL AND LOCAL ELECTRICAL REGULATIONS.
2. REFER TO PRODUCT DOCUMENTATION FOR ADDITIONAL DETAILS PRIOR TO INSTALLATION AND SITE PREPARATION WORK.
3. ALL DIMENSIONS ARE IN MILLIMETERS [INCHES].
4. NET WEIGHT (ALL BRACKETS INCLUDED) IS 6.21kg [13.67lbs]

THIS DRAWING AND SPECIFICATIONS HEREIN ARE THE PROPERTY OF SCHNEIDER ELECTRIC AND SHALL NOT BE COPIED, REPRODUCED OR USED IN WHOLE OR IN PART, AS THE BASIS FOR THE MANUFACTURE OR SALE OF ITEMS WITHOUT WRITTEN PERMISSION FROM SCHNEIDER ELECTRIC. THIS DRAWING IS BASED UPON LATEST AVAILABLE INFORMATION AND IS SUBJECT TO CHANGE WITHOUT NOTICE.

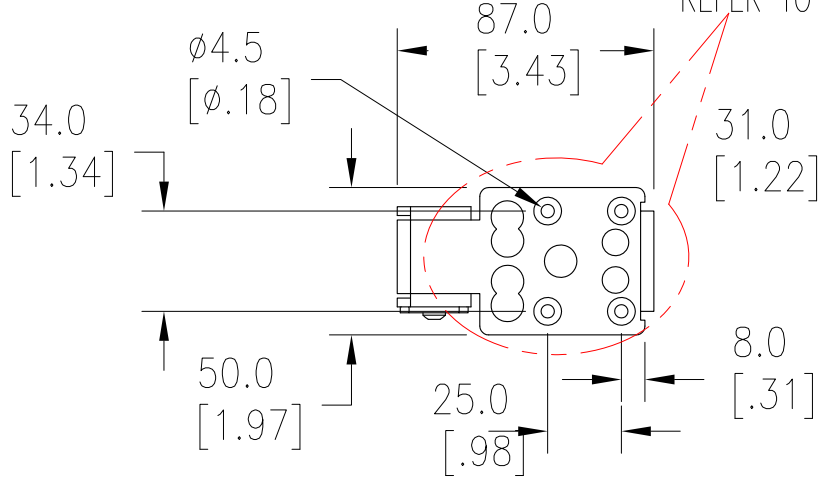


TITLE:  
Eco-Aisle (TM) Aisle Containment System  
CEILING PANEL  
ASSEMBLY-ACDC2001-2002  
PROJECT: SUBMITTAL DRAWINGS SHEET 2 OF 5

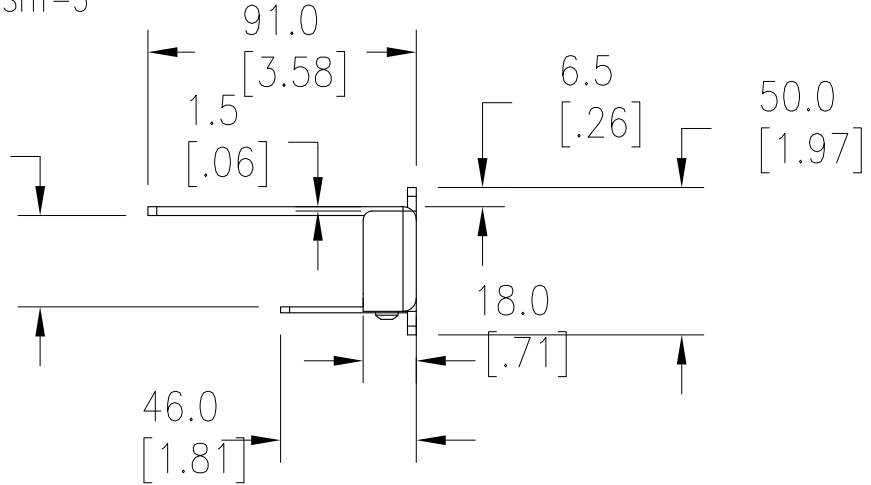
DWG NO:	ACDC2000-2002	REV.	0
DRAWN BY:	K.NAGENDRA	06-JAN-14	FIRST ANGLE
ENGINEER:	RUSTIN SHI/MARK MENG	06-JAN-14	PROJ
APPROVED BY:	AARON GRAFF	06-JAN-14	

ASSEMBLY BRACKET LH RACK

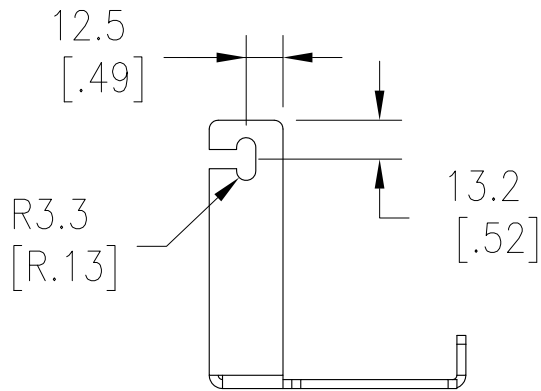
DETAIL-A  
REFER TO SHT-5



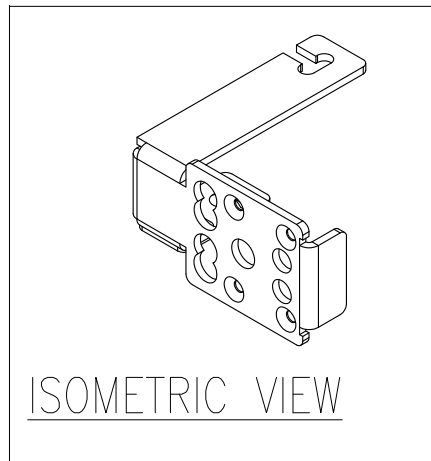
FRONT VIEW



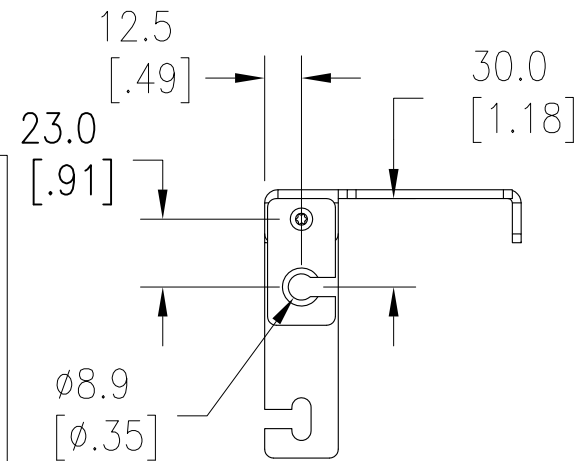
LH SIDE VIEW



TOP VIEW



ISOMETRIC VIEW



BOTTOM VIEW

NOTES:

1. COMPLY WITH ALL APPLICABLE NATIONAL AND LOCAL ELECTRICAL REGULATIONS.
2. REFER TO PRODUCT DOCUMENTATION FOR ADDITIONAL DETAILS PRIOR TO INSTALLATION AND SITE PREPARATION WORK.
3. ALL DIMENSIONS ARE IN MILLIMETERS [INCHES].

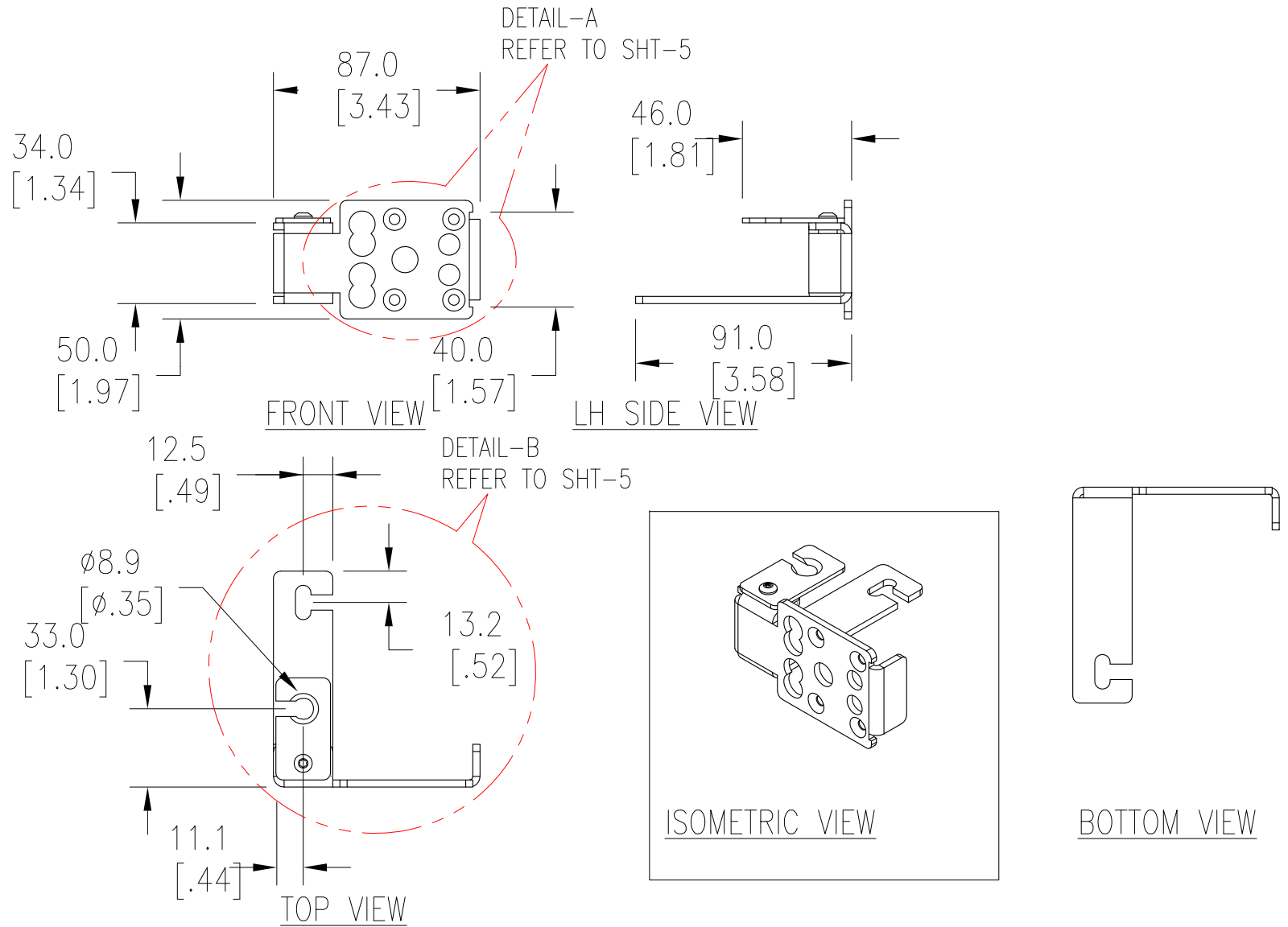
THIS DRAWING AND SPECIFICATIONS HEREIN ARE THE PROPERTY OF SCHNEIDER ELECTRIC AND SHALL NOT BE COPIED, REPRODUCED OR USED IN WHOLE OR IN PART, AS THE BASIS FOR THE MANUFACTURE OR SALE OF ITEMS WITHOUT WRITTEN PERMISSION FROM SCHNEIDER ELECTRIC. THIS DRAWING IS BASED UPON LATEST AVAILABLE INFORMATION AND IS SUBJECT TO CHANGE WITHOUT NOTICE.



TITLE:  
Eco-Aisle (TM) Aisle Containment System  
CEILING PANEL  
ASSEMBLY BRACKET-LH RACK  
PROJECT: SUBMITTAL DRAWINGS SHEET 3 OF 5

DWG NO:	ACDC2000-2002	REV.	0
DRAWN BY:	K.NAGENDRA	06-JAN-14	FIRST
ENGINEER:	RUSTIN SHI/MARK MENG	06-JAN-14	ANGLE
APPROVED BY:	AARON GRAFF	06-JAN-14	PROJ

ASSEMBLY BRACKET RH RACK



NOTES:

1. COMPLY WITH ALL APPLICABLE NATIONAL AND LOCAL ELECTRICAL REGULATIONS.
2. REFER TO PRODUCT DOCUMENTATION FOR ADDITIONAL DETAILS PRIOR TO INSTALLATION AND SITE PREPARATION WORK.
3. ALL DIMENSIONS ARE IN MILLIMETERS [INCHES].

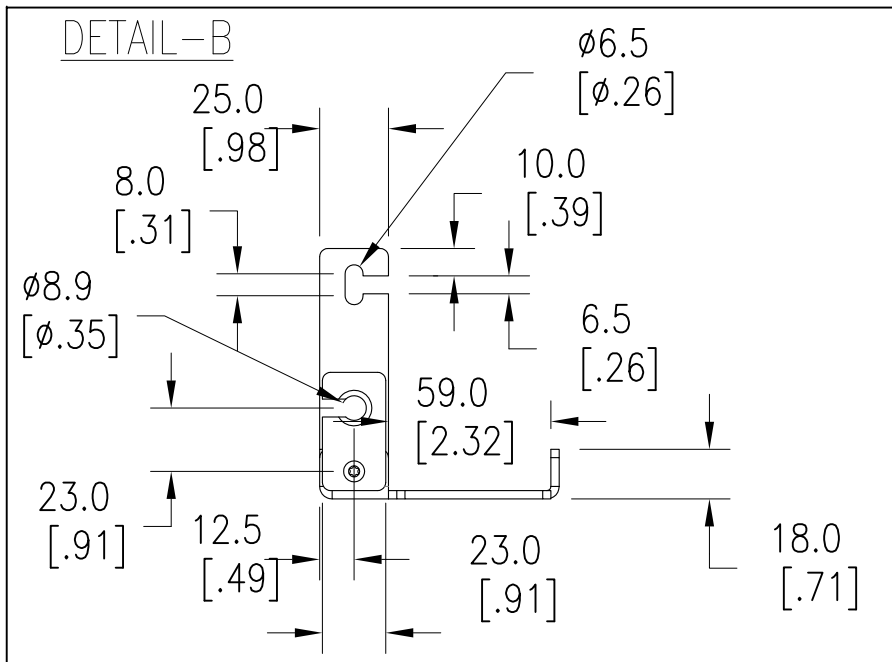
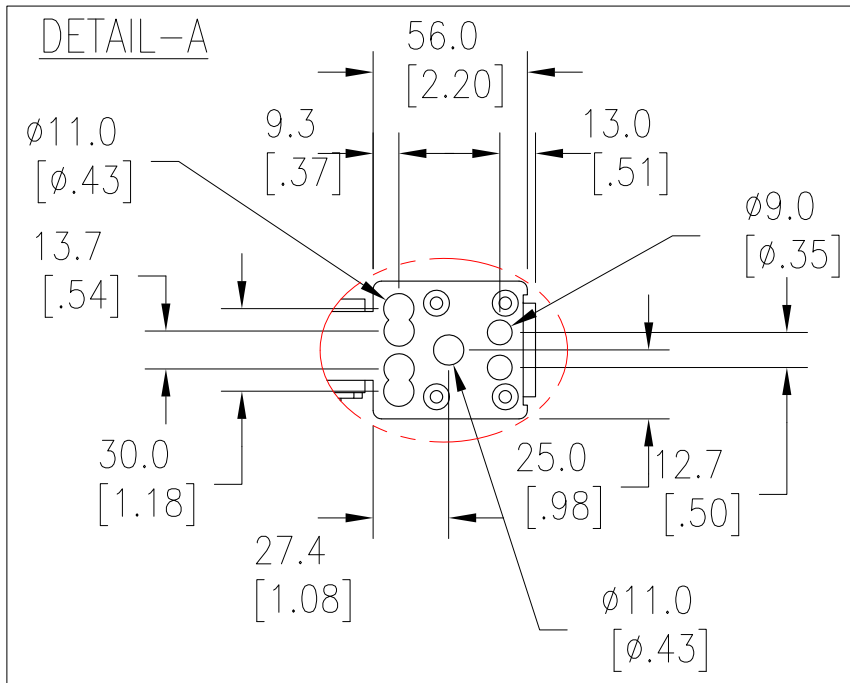
THIS DRAWING AND SPECIFICATIONS HEREIN ARE THE PROPERTY OF SCHNEIDER ELECTRIC AND SHALL NOT BE COPIED, REPRODUCED OR USED IN WHOLE OR IN PART, AS THE BASIS FOR THE MANUFACTURE OR SALE OF ITEMS WITHOUT WRITTEN PERMISSION FROM SCHNEIDER ELECTRIC. THIS DRAWING IS BASED UPON LATEST AVAILABLE INFORMATION AND IS SUBJECT TO CHANGE WITHOUT NOTICE.



TITLE:  
Eco-Aisle (TM) Aisle Containment System  
CEILING PANEL  
ASSEMBLY BRACKET-RH RACK

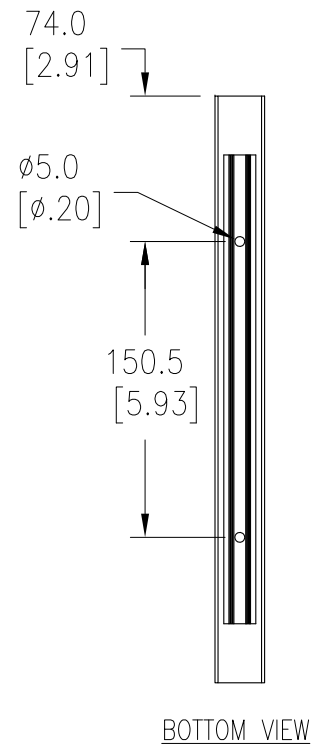
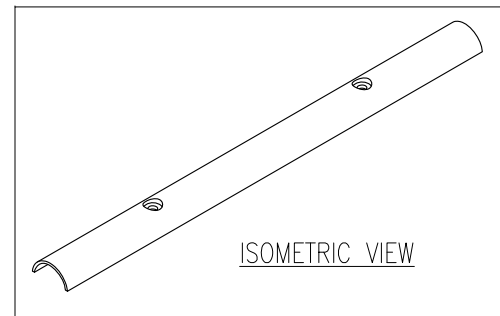
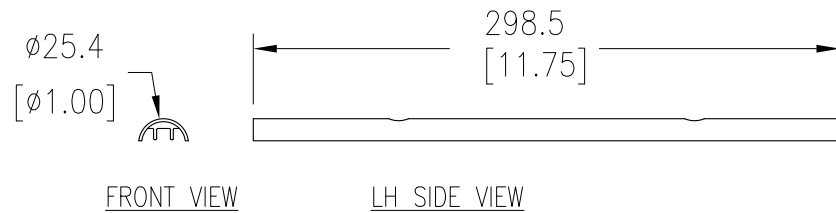
PROJECT: SUBMITTAL DRAWINGS SHEET 4 OF 5

DWG NO:	ACDC2000-2002	REV.	0
DRAWN BY:	K.NAGENDRA	06-JAN-14	FIRST
ENGINEER:	RUSTIN SHI/MARK MENG	06-JAN-14	ANGLE
APPROVED BY:	AARON GRAFF	06-JAN-14	PROJ



ACDC2000-2002

ALUMINIUM WIRING COVER



NOTES:

1. COMPLY WITH ALL APPLICABLE NATIONAL AND LOCAL ELECTRICAL REGULATIONS.
2. REFER TO PRODUCT DOCUMENTATION FOR ADDITIONAL DETAILS PRIOR TO INSTALLATION AND SITE PREPARATION WORK.
3. ALL DIMENSIONS ARE IN MILLIMETERS [INCHES].

THIS DRAWING AND SPECIFICATIONS HEREIN ARE THE PROPERTY OF SCHNEIDER ELECTRIC AND SHALL NOT BE COPIED, REPRODUCED OR USED IN WHOLE OR IN PART, AS THE BASIS FOR THE MANUFACTURE OR SALE OF ITEMS WITHOUT WRITTEN PERMISSION FROM SCHNEIDER ELECTRIC. THIS DRAWING IS BASED UPON LATEST AVAILABLE INFORMATION AND IS SUBJECT TO CHANGE WITHOUT NOTICE.



TITLE:  
Eco-Aisle (TM) Aisle Containment System  
CEILING PANEL  
ALUMINIUM WIRING COVER

PROJECT: SUBMITTAL DRAWINGS SHEET 5 OF 5

DWG NO:	ACDC2000-2002	REV.	0
DRAWN BY:	K.NAGENDRA	06-JAN-14	FIRST
ENGINEER:	BUSTIN SHI/MARK MENG	06-JAN-14	ANGLE
APPROVED BY:	AARON GRAFF	06-JAN-14	PROJ