

**NOTES:**

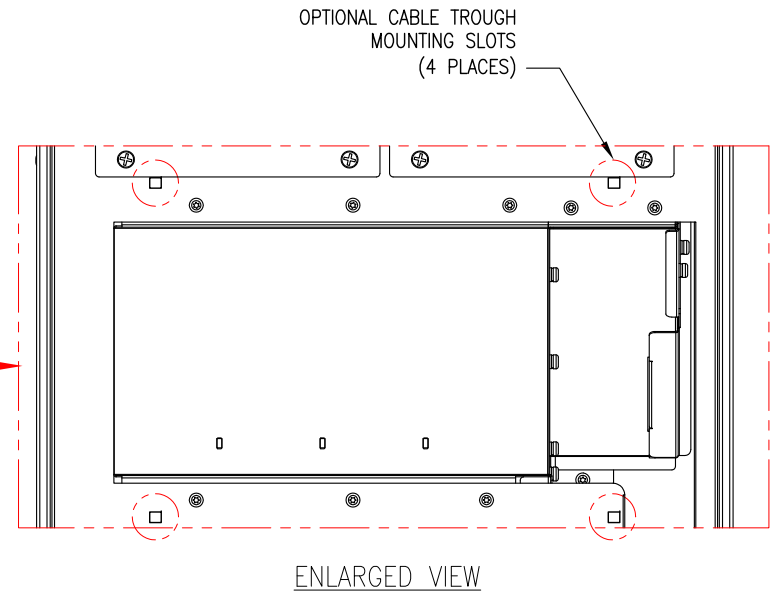
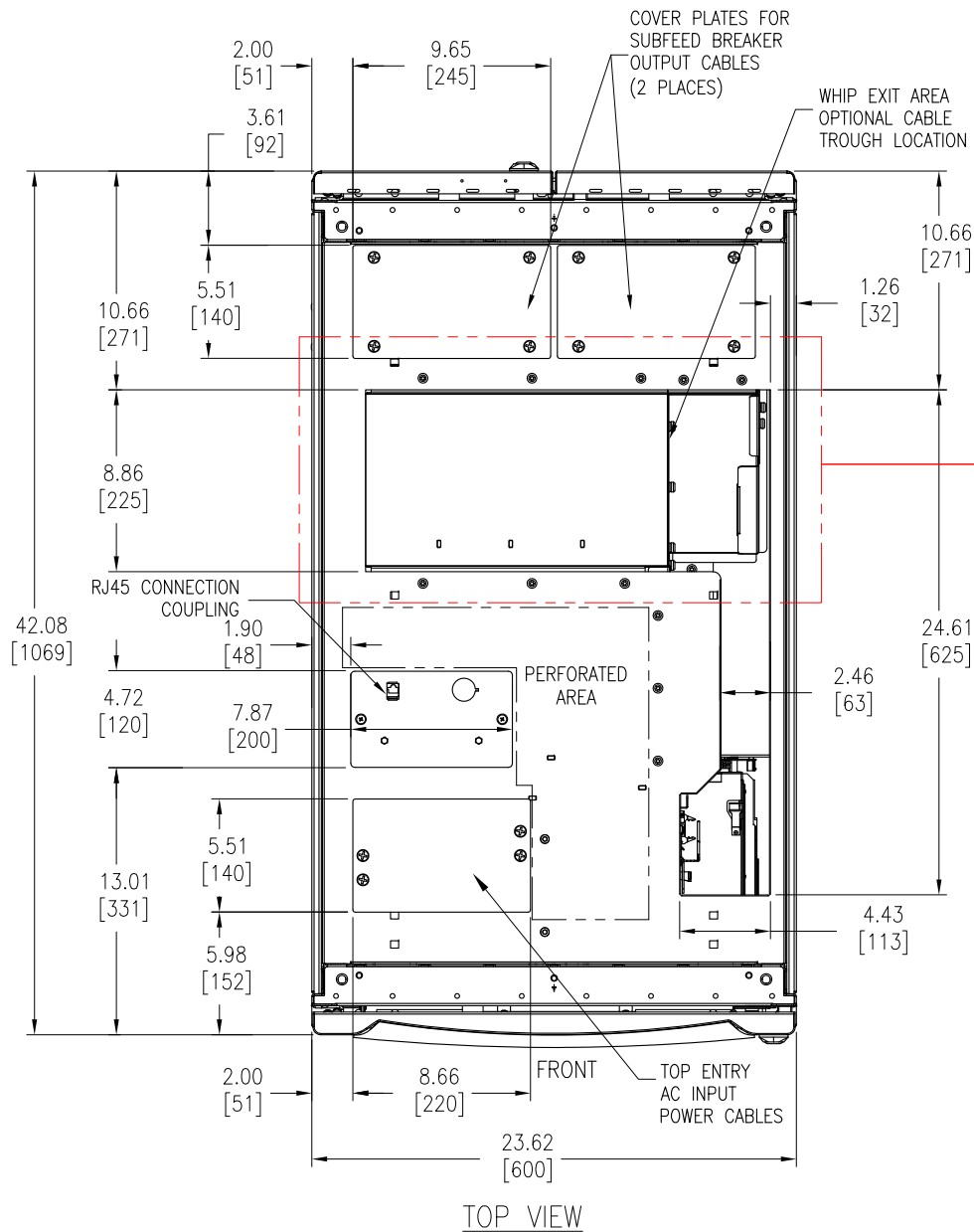
1. INSTALLATION SHALL COMPLY WITH ALL APPLICABLE NATIONAL, STATE AND LOCAL CODES.
2. REFER TO APC PRODUCT MANUALS FOR DETAILS.
3. ALL DIMENSIONS ARE IN INCHES [MILLIMETERS].
- △ 4. FRONT AND REAR ACCESS ARE REQUIRED FOR SERVICE.  
MINIMUM RECOMMENDED FRONT CLEARANCE IS 40 [1000]  
AND REAR CLEARANCE IS 27.6 [700]. INSTALLATION SHALL  
COMPLY WITH ALL APPLICABLE NATIONAL, STATE AND LOCAL ELECTRICAL CODES.
5. TWO OPTIONS ARE AVAILABLE FOR AC INPUT POWER CABLE ROUTING:  
I) TOP ENTRY. REFER TO SHEET-2 FOR ACCESS DETAILS.  
II) BOTTOM ENTRY USING A SIDE CAR, PDPM150SC.  
REFER TO SHEET-4 FOR ACCESS DETAILS.  
SIDE CAR IS A SEPARATE SKU NOT SHOWN IN THIS DRAWING.
6. WEIGHT OF THE UNIT IS 1839 lbs [836 kg].
- △ 7. MAXIMUM HEIGHT OF THE UNIT INCLUDES TOP PROTRUSIONS AND  
CAPTIVE FASTENERS.

THIS DRAWING AND SPECIFICATIONS HEREIN ARE THE PROPERTY OF SCHNEIDER ELECTRIC AND SHALL NOT BE COPIED, REPRODUCED OR USED IN WHOLE OR IN PART, AS THE BASIS FOR THE MANUFACTURE OR SALE OF ITEMS WITHOUT WRITTEN PERMISSION FROM SCHNEIDER ELECTRIC. THIS DRAWING IS BASED UPON LATEST AVAILABLE INFORMATION AND IS SUBJECT TO CHANGE WITHOUT NOTICE.



TITLE: APC 144kW MODULAR PDU  
ISOLATION TRANSFORMER, 480V:208V  
INPUT: 480V 3PH 60Hz  
OUTPUT: 208V 3PH 60Hz 72-POLE, 2-SUBFEED  
MAIN MECHANICAL  
PROJECT: SUBMITTAL DRAWINGS SHEET 1 OF 8

DWG NO:	PDPM150G6F	REV.	0
DRAWN BY:	JAYAPRAKASH	14-AUG-12	THIRD
ENGINEER:	JIE ZHU	22-AUG-12	ANGLE
APPROVED BY:	JACK LU	22-AUG-12	PROJ



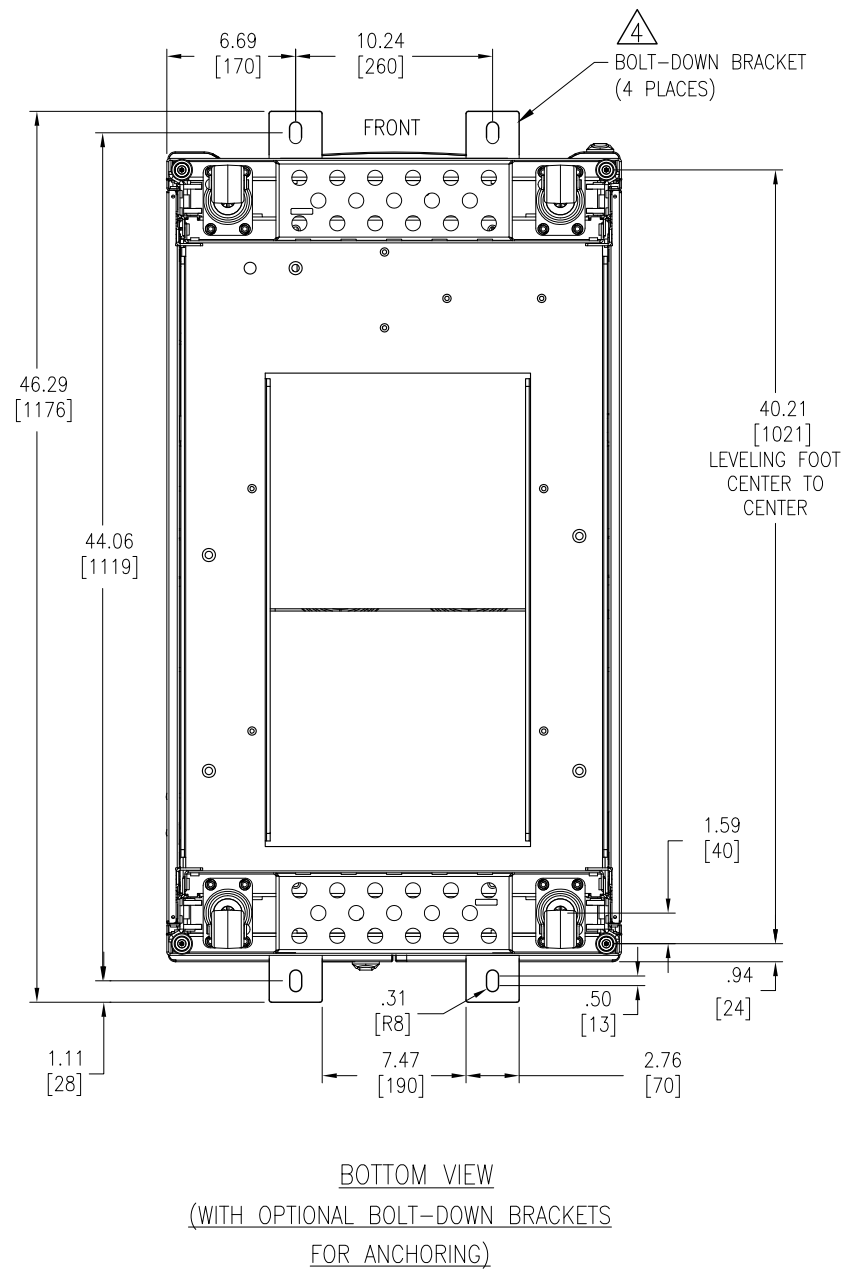
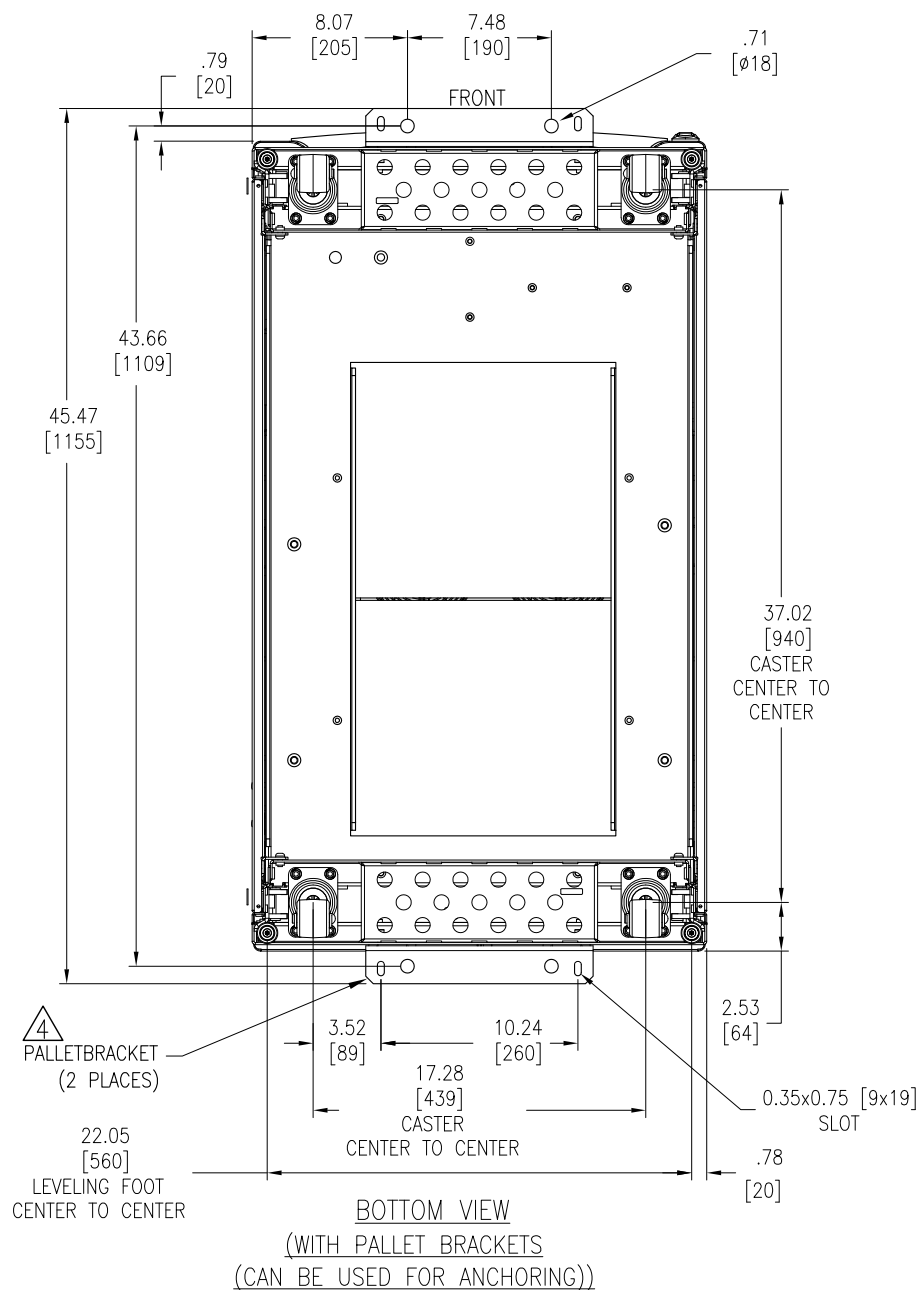
- NOTES:
1. INSTALLATION SHALL COMPLY WITH ALL APPLICABLE NATIONAL, STATE AND LOCAL CODES.
  2. REFER TO PRODUCT MANUALS FOR ADDITIONAL DETAILS.
  3. ALL DIMENSIONS ARE IN INCHES [MILLIMETERS].

THIS DRAWING AND SPECIFICATIONS HEREIN ARE THE PROPERTY OF SCHNEIDER ELECTRIC AND SHALL NOT BE COPIED, REPRODUCED OR USED IN WHOLE OR IN PART, AS THE BASIS FOR THE MANUFACTURE OR SALE OF ITEMS WITHOUT WRITTEN PERMISSION FROM SCHNEIDER ELECTRIC. THIS DRAWING IS BASED UPON LATEST AVAILABLE INFORMATION AND IS SUBJECT TO CHANGE WITHOUT NOTICE.



TITLE: APC 144kW MODULAR PDU  
ISOLATION TRANSFORMER, 480V:208V  
INPUT: 480V 3PH 60Hz  
OUTPUT: 208V 3PH 60Hz 72-POLE, 2-SUBFEED  
TOP VIEW  
PROJECT: SUBMITTAL DRAWINGS SHEET 2 OF 8

DWG NO:	PDPM150G6F	REV:	0
DRAWN BY:	JAYAPRAKASH	14-AUG-12	THIRD
ENGINEER:	JIE ZHU	22-AUG-12	ANGLE
APPROVED BY:	JACK LU	22-AUG-12	PROJ



**NOTES:**

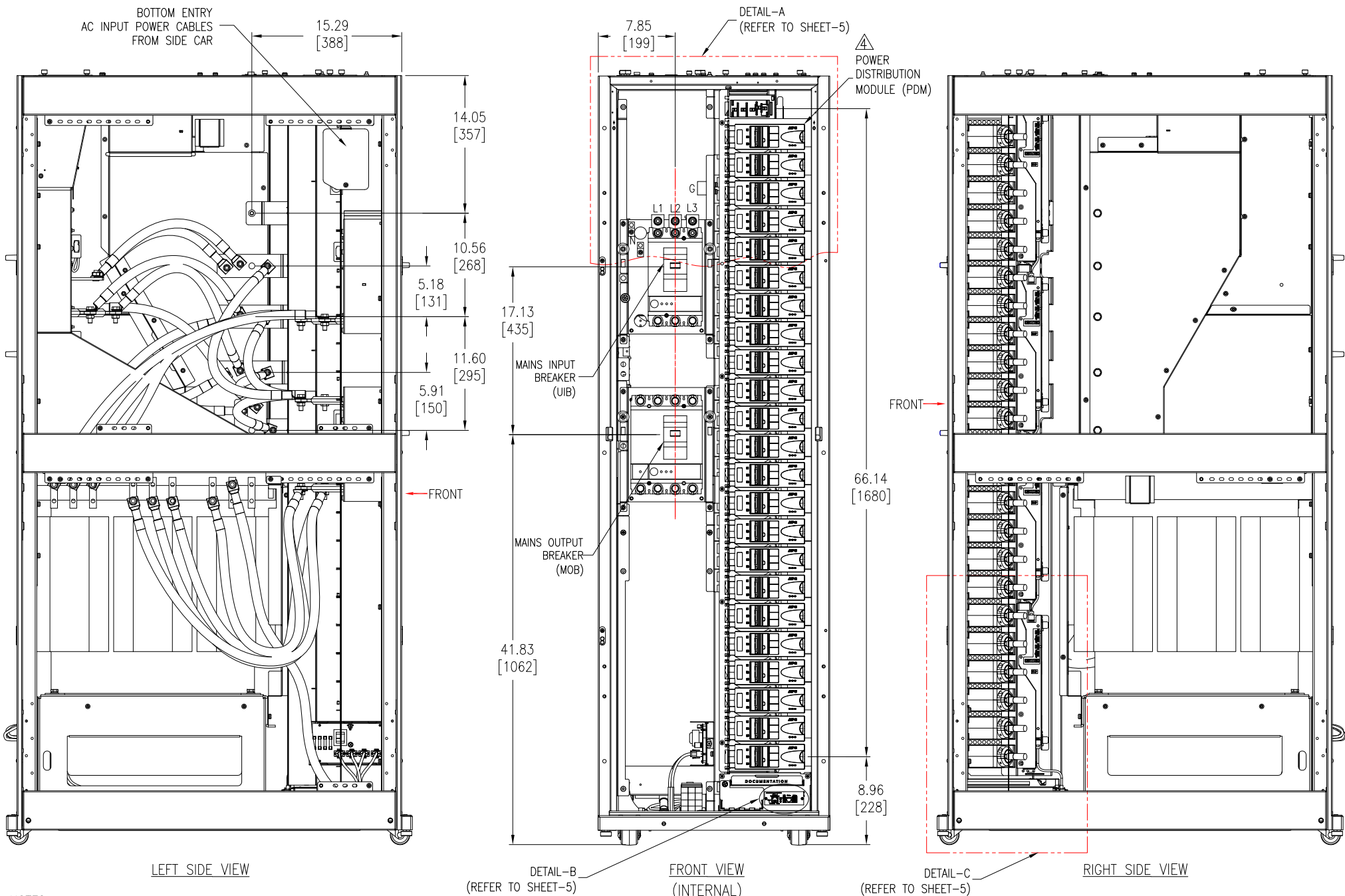
1. INSTALLATION SHALL COMPLY WITH ALL APPLICABLE NATIONAL, STATE AND LOCAL CODES.
2. REFER TO PRODUCT MANUALS FOR ADDITIONAL DETAILS.
3. ALL DIMENSIONS ARE IN INCHES [MILLIMETERS].
- △ 4. ANCHORING BRACKETS CAN BE INSTALLED AT FRONT AND BACK OF UNIT. ADEQUATE FRONT AND REAR CLEARANCE SHOULD BE PROVIDED IF THE UNIT IS TO BE ANCHORED. FOR RECOMMENDED CLEARANCE SEE NOTE 4 ON SHEET-1. USE CODE COMPLIANT FASTENERS TO SECURE UNIT TO THE FLOOR. BOLT DOWN KIT (SKU # AR7701) IS OPTIONAL AND HAS TO BE ORDERED SEPARATELY.
5. REFER TO INSTALLATION MANUAL 990-4384 FOR SEISMIC ANCHORING DETAILS. USE OPTIONAL SEISMIC ANCHORING KIT SYOPT600 IF REQUIRED.

THIS DRAWING AND SPECIFICATIONS HEREIN ARE THE PROPERTY OF SCHNEIDER ELECTRIC AND SHALL NOT BE COPIED, REPRODUCED OR USED IN WHOLE OR IN PART, AS THE BASIS FOR THE MANUFACTURE OR SALE OF ITEMS WITHOUT WRITTEN PERMISSION FROM SCHNEIDER ELECTRIC. THIS DRAWING IS BASED UPON LATEST AVAILABLE INFORMATION AND IS SUBJECT TO CHANGE WITHOUT NOTICE.



TITLE: APC 144kW MODULAR PDU  
ISOLATION TRANSFORMER, 480V:208V  
INPUT: 480V 3PH 60Hz  
OUTPUT: 208V 3PH 60Hz 72-POLE, 2-SUBFEED  
BOTTOM VIEW  
PROJECT: SUBMITTAL DRAWINGS SHEET 3 OF 8

DWG NO:	PDPM150G6F	REV.	0
DRAWN BY:	JAYAPRAKASH	14-AUG-12	THIRD
ENGINEER:	JIE ZHU	22-AUG-12	ANGLE
APPROVED BY:	JACK LU	22-AUG-12	PROJ



**NOTES.**

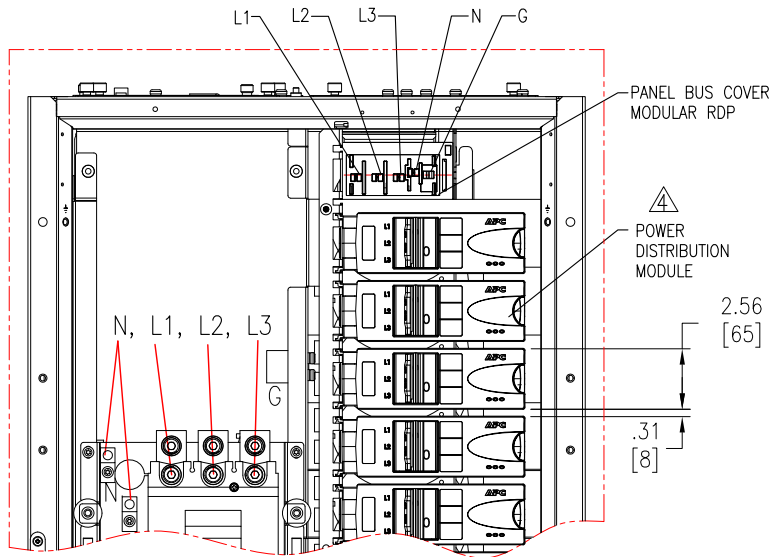
1. INSTALLATION SHALL COMPLY WITH ALL APPLICABLE NATIONAL, STATE AND LOCAL CODES.
2. REFER TO PRODUCT MANUALS FOR ADDITIONAL DETAILS.
3. ALL DIMENSIONS ARE IN INCHES [MILLIMETERS].
4. ALL POWER DISTRIBUTION MODULES AND EXTENDER CABLES ARE NOT PART OF THIS SKU AND ARE ORDERED SEPARATELY. PLEASE CONTACT SCHNEIDER ELECTRIC.
5. SOME STRUCTURAL DETAILS HAVE BEEN OMITTED FOR THE PURPOSE OF CLARITY.

THIS DRAWING AND SPECIFICATIONS HEREIN ARE THE PROPERTY OF SCHNEIDER ELECTRIC AND SHALL NOT BE COPIED, REPRODUCED OR USED IN WHOLE OR IN PART, AS THE BASIS FOR THE MANUFACTURE OR SALE OF ITEMS WITHOUT WRITTEN PERMISSION FROM SCHNEIDER ELECTRIC. THIS DRAWING IS BASED UPON LATEST AVAILABLE INFORMATION AND IS SUBJECT TO CHANGE WITHOUT NOTICE.

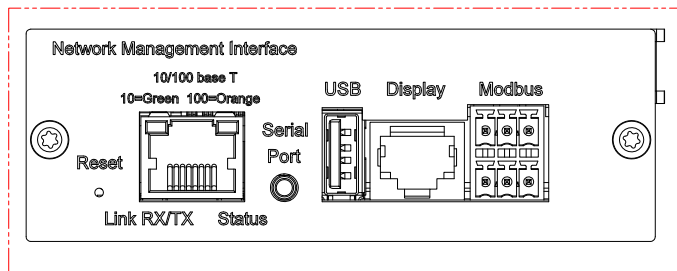


TITLE: APC 144kW MODULAR PDU ISOLATION TRANSFORMER, 480V:208V  
 INPUT: 480V 3PH 60Hz  
 OUTPUT: 208V 3PH 60Hz 72-POLE, 2-SUBFEED INTERNAL VIEW  
 PROJECT: SUBMITTAL DRAWINGS SHEET 4 OF 8

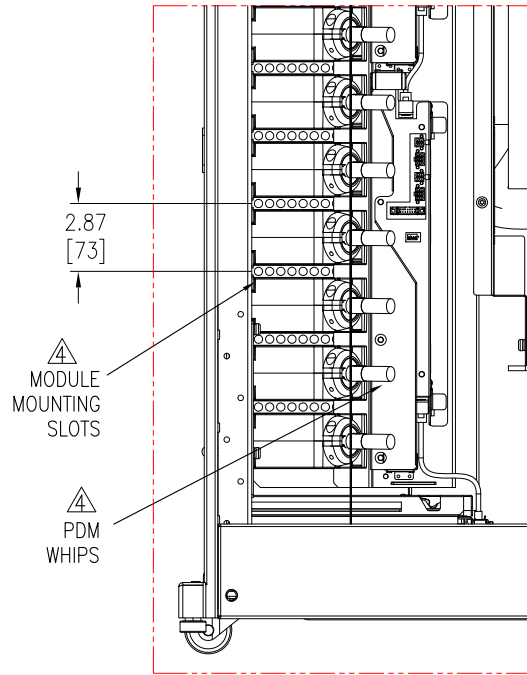
DWG NO:	PDPM150G6F	REV.	1
DRAWN BY:	JAYAPRAKASH/KN	14-APR-15	THIRD
ENGINEER:	FARRUKH SYED	14-APR-15	ANGLE
APPROVED BY:	BILL SHERIDAN	14-APR-15	PROJ



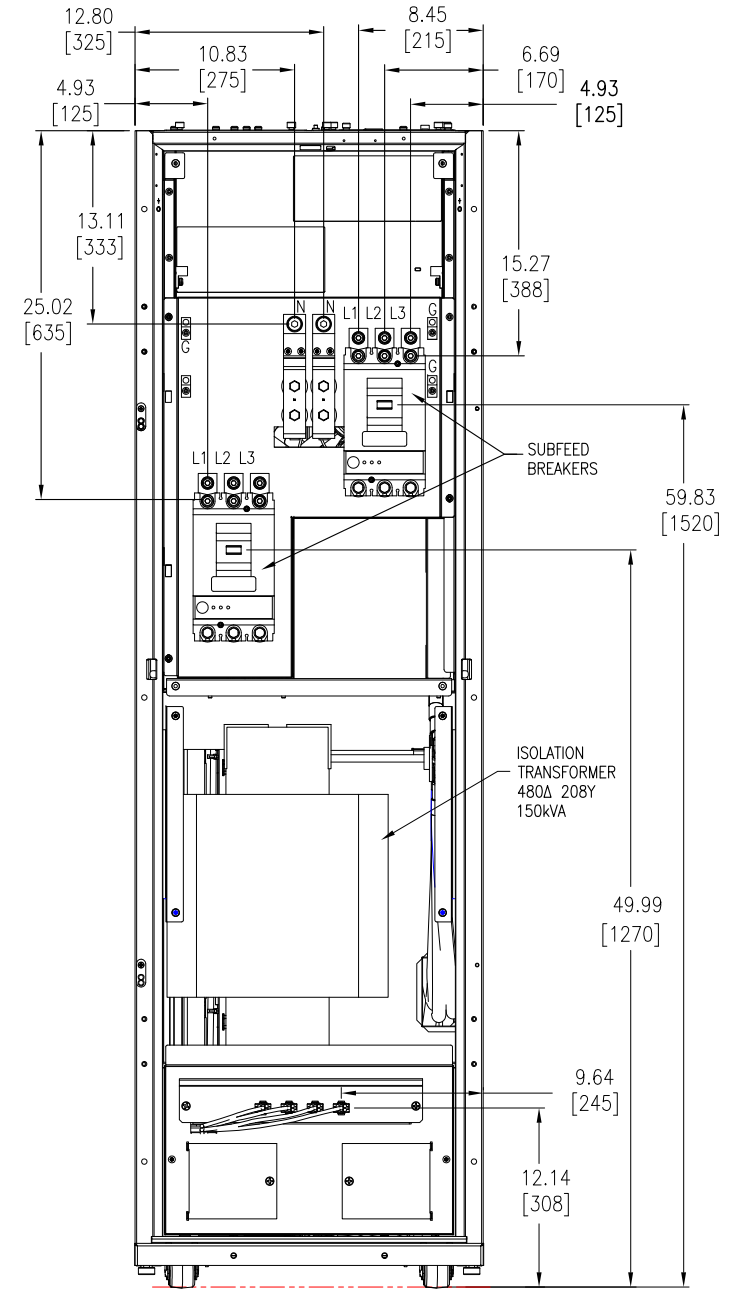
DETAIL-A



DETAIL-B  
(COMMUNICATION INTERFACE)



DETAIL-C



REAR VIEW

NOTES.

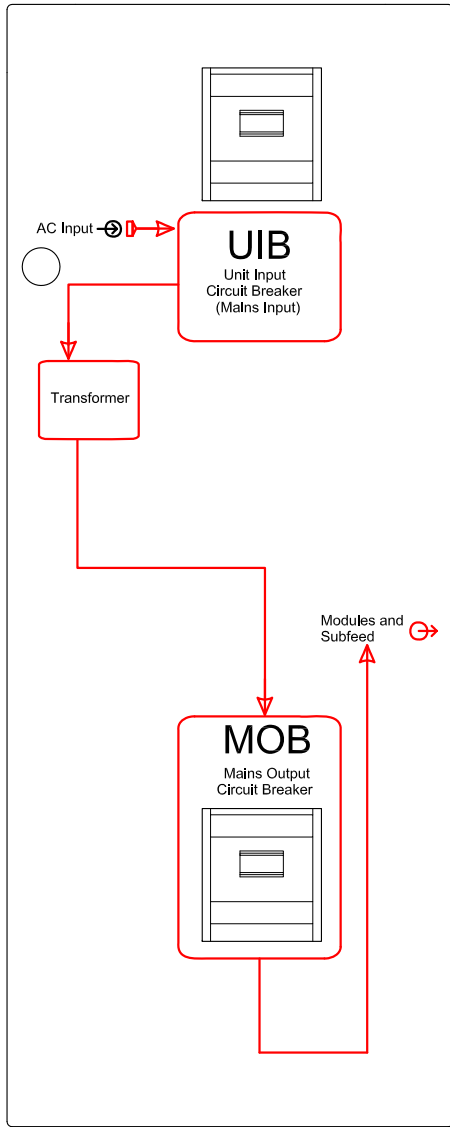
1. INSTALLATION SHALL COMPLY WITH ALL APPLICABLE NATIONAL, STATE AND LOCAL CODES.
2. REFER TO PRODUCT MANUALS FOR ADDITIONAL DETAILS.
3. ALL DIMENSIONS ARE IN INCHES [MILLIMETERS].
- △ 4. ALL POWER DISTRIBUTION MODULES AND EXTENDER CABLES ARE NOT PART OF THIS SKU AND ARE ORDERED SEPARATELY. PLEASE CONTACT SCHNEIDER ELECTRIC.

THIS DRAWING AND SPECIFICATIONS HEREIN ARE THE PROPERTY OF SCHNEIDER ELECTRIC AND SHALL NOT BE COPIED, REPRODUCED OR USED IN WHOLE OR IN PART, AS THE BASIS FOR THE MANUFACTURE OR SALE OF ITEMS WITHOUT WRITTEN PERMISSION FROM SCHNEIDER ELECTRIC. THIS DRAWING IS BASED UPON LATEST AVAILABLE INFORMATION AND IS SUBJECT TO CHANGE WITHOUT NOTICE.

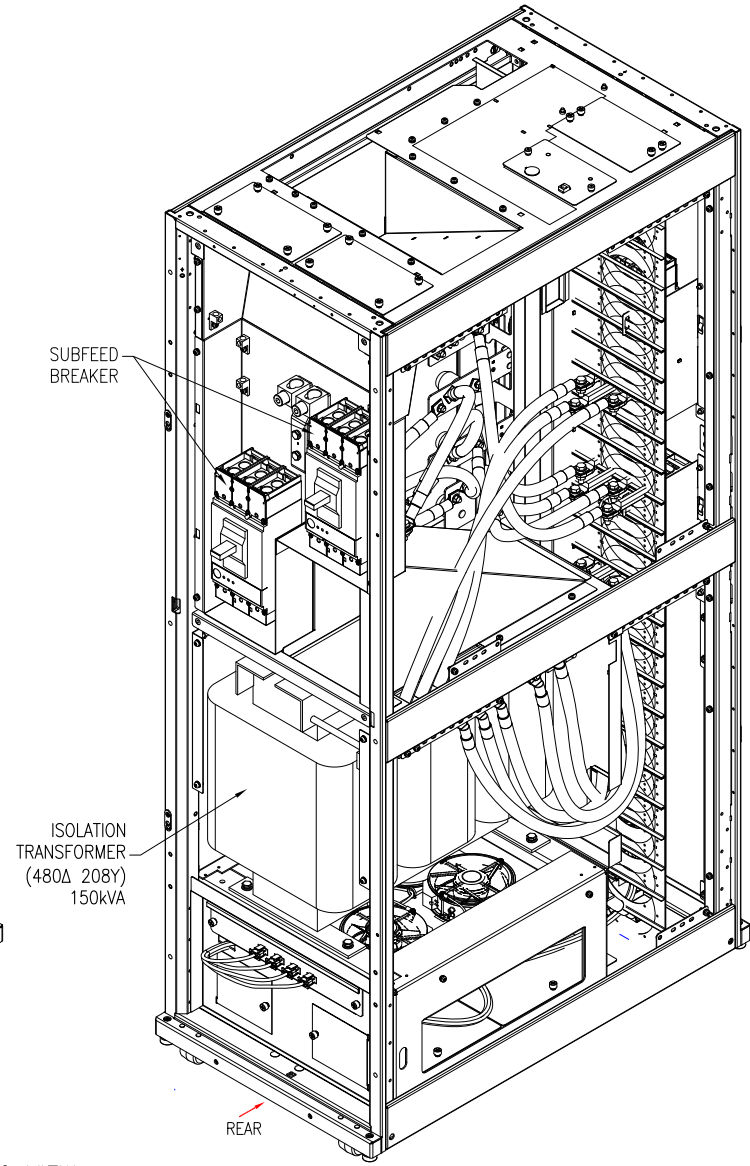
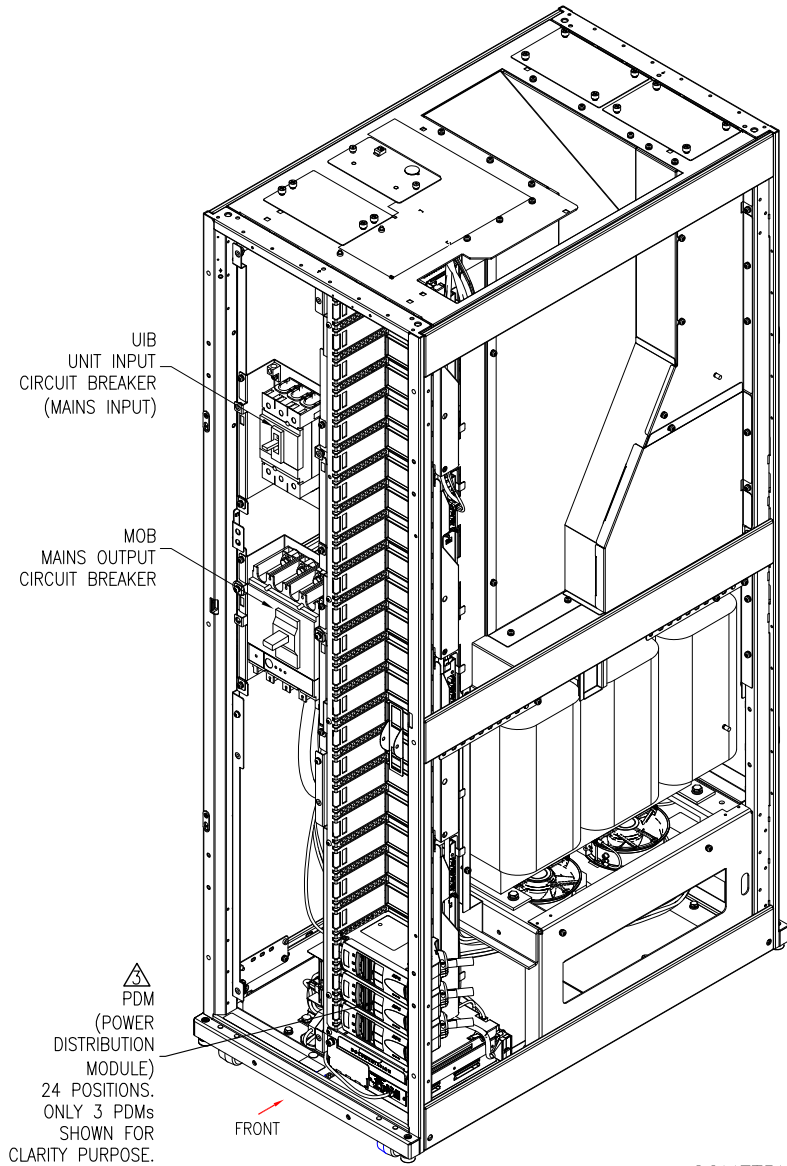


TITLE: APC 144kW MODULAR PDU  
ISOLATION TRANSFORMER, 480V:208V  
INPUT: 480V 3PH 60Hz  
OUTPUT: 208V 3PH 60Hz 72-POLE, 2-SUBFEED  
REAR VIEW & INTERNAL-DETAILS  
PROJECT: SUBMITTAL DRAWINGS SHEET 5 OF 8

DWG NO:	PDPM150G6F	REV.	2
DRAWN BY:	JAYAPRAKASH/KN	14-APR-15	THIRD
ENGINEER:	FARRUKH SYED	14-APR-15	ANGLE
APPROVED BY:	BILL SHERIDAN	14-APR-15	PROJ



POWERFLOW DIAGRAM



ISOMETRIC VIEW  
(INTERNAL ASSEMBLY)

NOTES:

1. INSTALLATION SHALL COMPLY WITH ALL APPLICABLE NATIONAL, STATE AND LOCAL CODES.
2. REFER TO PRODUCT MANUALS FOR ADDITIONAL DETAILS.
- △ 3. ALL POWER DISTRIBUTION MODULES AND EXTENDER CABLES ARE NOT PART OF THIS SKU AND ARE ORDERED SEPARATELY. CONTACT SCHNEIDER ELECTRIC.
4. SOME STRUCTURAL DETAILS HAVE BEEN OMITTED FOR THE PURPOSE OF CLARITY.

THIS DRAWING AND SPECIFICATIONS HEREIN ARE THE PROPERTY OF SCHNEIDER ELECTRIC AND SHALL NOT BE COPIED, REPRODUCED OR USED IN WHOLE OR IN PART, AS THE BASIS FOR THE MANUFACTURE OR SALE OF ITEMS WITHOUT WRITTEN PERMISSION FROM SCHNEIDER ELECTRIC. THIS DRAWING IS BASED UPON LATEST AVAILABLE INFORMATION AND IS SUBJECT TO CHANGE WITHOUT NOTICE.

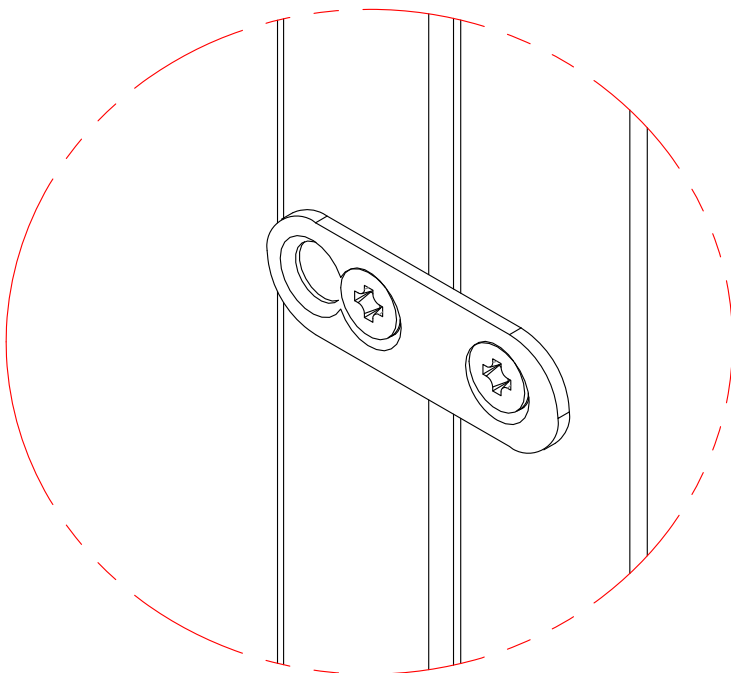
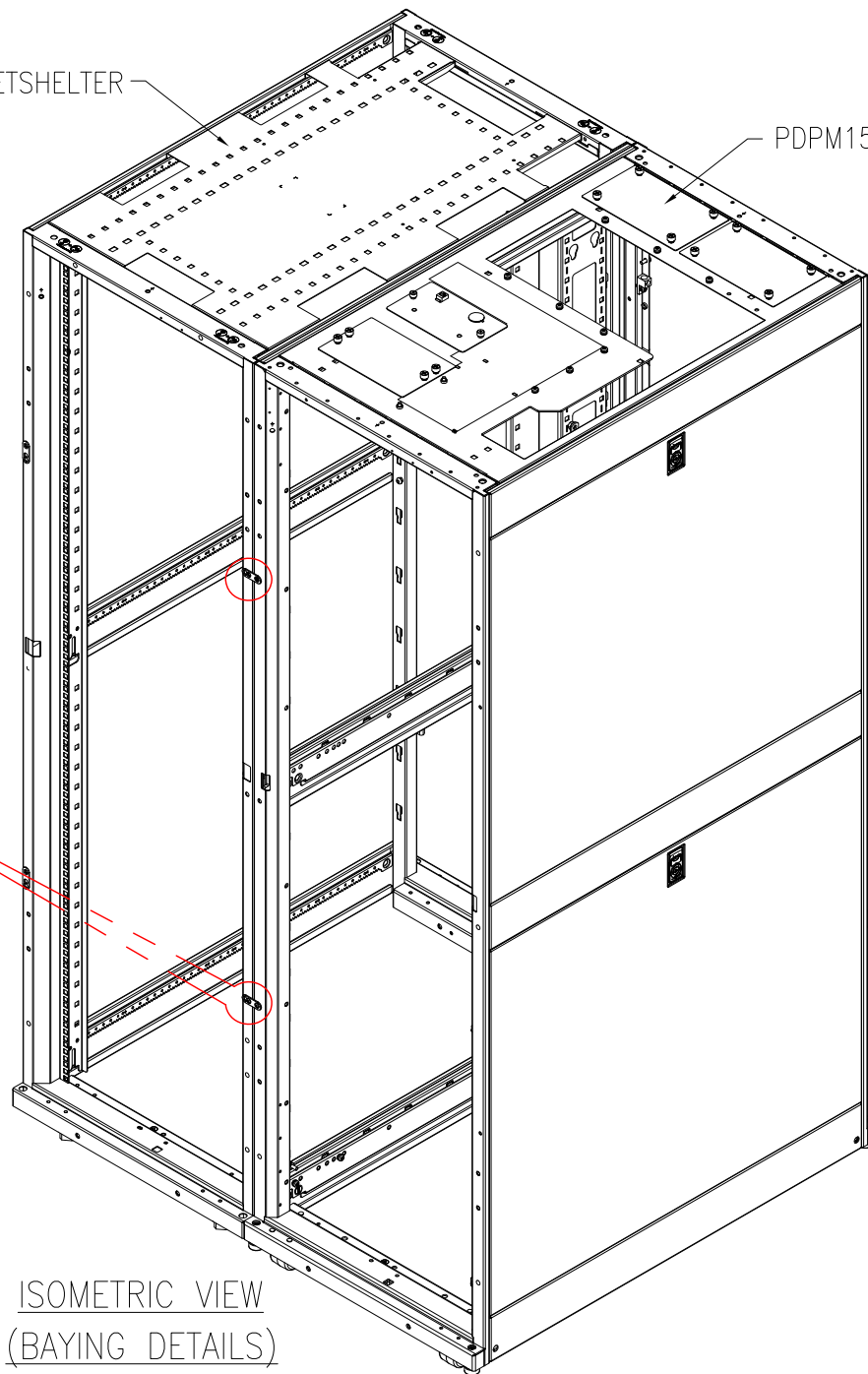


TITLE: APC 144kW MODULAR PDU  
ISOLATION TRANSFORMER, 480V:208V  
INPUT: 480V 3PH 60Hz  
OUTPUT: 208V 3PH 60Hz 72-POLE, 2-SUBFEED  
POWER FLOW DIAGRAM & ISOMETRIC VIEW-INTERNAL  
PROJECT: SUBMITTAL DRAWINGS SHEET 6 OF 8

DWG NO:	PDPM150G6F	REV:	1
DRAWN BY:	JAYAPRAKASH/KN	14-APR-15	THIRD
ENGINEER:	FARRUKH SYED	14-APR-15	ANGLE
APPROVED BY:	BILL SHERIDAN	14-APR-15	PROJ

NETSHELTER

PDPM150G6F



BAYING BRACKETS  
(2 PLACES)

ISOMETRIC VIEW  
(BAYING DETAILS)

NOTES:

1. INSTALLATION SHALL COMPLY WITH ALL APPLICABLE NATIONAL, STATE AND LOCAL CODES.
2. REFER TO PRODUCT MANUALS FOR ADDITIONAL DETAILS.
3. SOME STRUCTURAL DETAILS HAVE BEEN OMITTED FOR THE PURPOSE OF CLARITY.

THIS DRAWING AND SPECIFICATIONS HEREIN ARE THE PROPERTY OF SCHNEIDER ELECTRIC AND SHALL NOT BE COPIED, REPRODUCED OR USED IN WHOLE OR IN PART, AS THE BASIS FOR THE MANUFACTURE OR SALE OF ITEMS WITHOUT WRITTEN PERMISSION FROM SCHNEIDER ELECTRIC. THIS DRAWING IS BASED UPON LATEST AVAILABLE INFORMATION AND IS SUBJECT TO CHANGE WITHOUT NOTICE.

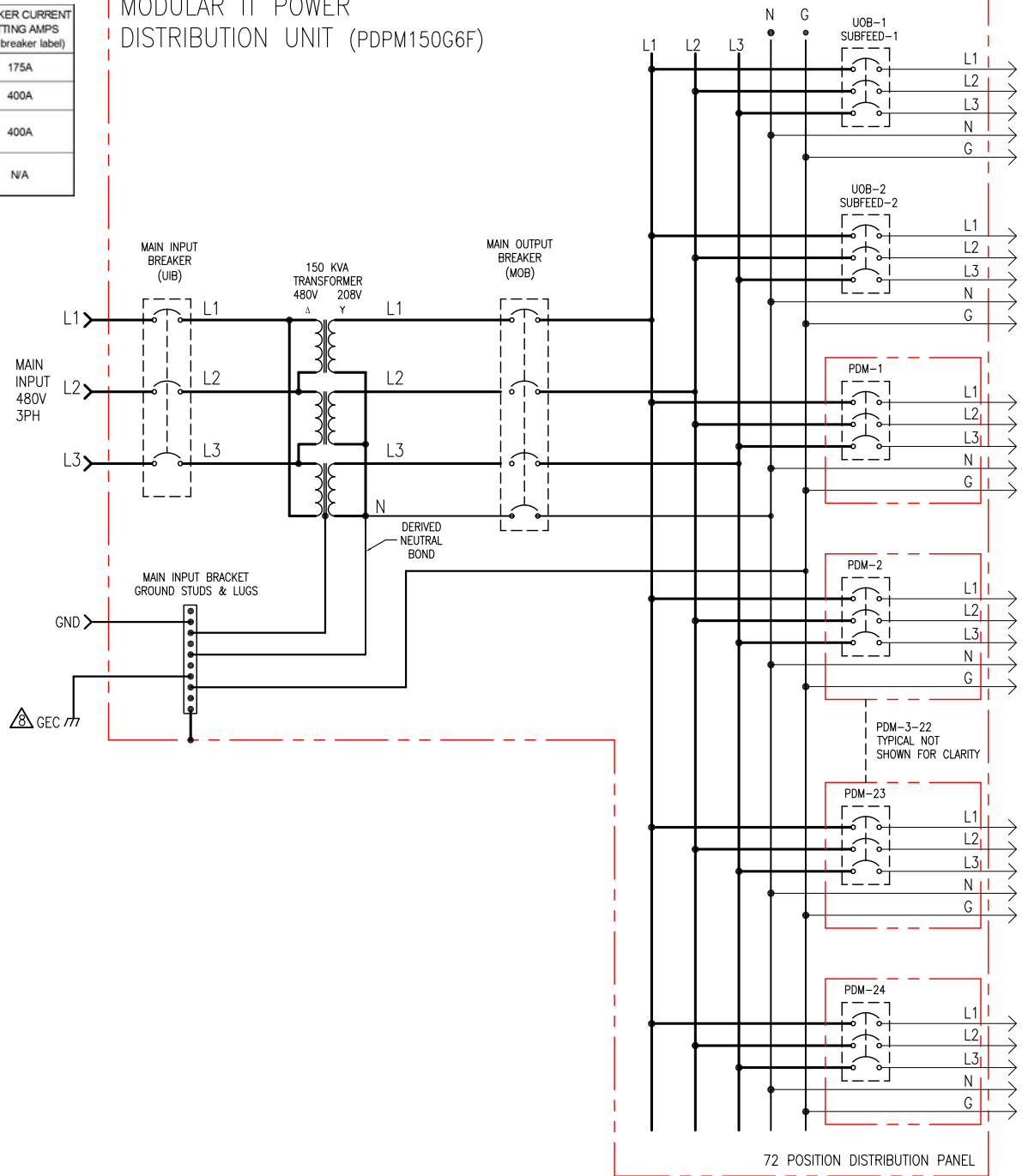


TITLE: APC 144kW MODULAR PDU  
ISOLATION TRANSFORMER, 480V:208V  
INPUT: 480V 3PH 60Hz  
OUTPUT: 208V 3PH 60Hz 72-POLE, 2-SUBFEED  
BAYING DETAILS  
PROJECT: SUBMITTAL DRAWINGS SHEET 7 OF 8

DWG NO:	PDPM150G6F	REV:	0
DRAWN BY:	JAYAPRAKASH	14-AUG-12	THIRD
ENGINEER:	JIE ZHU	22-AUG-12	ANGLE
APPROVED BY:	JACK LU	22-AUG-12	PROJ

DEVICE	RATING (100% Rated)	TYPE	MAKE	MODEL	RATED SHORT CIRCUIT CURRENT	BREAKER CURRENT SETTING AMPS (See breaker label)
UIB	400A, 480V	3 POLE BREAKER	SQUARE-D	LJF34400WU33X (100% Rated)	65kAIC@480V	175A
MOB	600A, 480V	4 POLE BREAKER	SQUARE-D	LJF44600WU33X (100% Rated)	65kAIC@480V	400A
SUBFEED BREAKER (UOB)	400A, 600V	3 POLE BREAKER	SQUARE-D	LJF36400CU33X (100% Rated)	65kAIC@480V	400A
MODULE-X	400V	POWER DISTRIBUTION MODULE	SCHNEIDER ELECTRIC	SEE NOTE 7	10kAIC@480V	N/A

## MODULAR IT POWER DISTRIBUTION UNIT (PDPM150G6F)



### NOTES:

- INSTALLATION SHALL COMPLY WITH ALL APPLICABLE NATIONAL, STATE AND LOCAL CODES.
- REFER TO PRODUCT MANUALS FOR ADDITIONAL DETAILS PRIOR TO INSTALLATION AND SITE PREPARATION WORK.
- AC SOURCE TO BE 480VAC 3PH 3 WIRE + GROUND + GEC (CONTACT SCHNEIDER ELECTRIC IF OTHER).
- RACK FRAME AND SKINS ARE ELECTRICALLY CONNECTED AND TIED TO CHASSIS GROUND.
- TRANSFORMER BASE IS GROUNDED THROUGH RACK FRAME.
- ALL AC POWER CABLING TO BE 600V RATED, 3 WIRE + GROUND + GEC (INPUT CABLE), 3WIRE + NEUTRAL + GROUND (OUTPUT CABLE).
- ALL POWER DISTRIBUTION MODULES ARE NOT PART OF THIS SKU AND ARE ORDERED SEPARATELY, MAXIMUM 24 MODULES PER SKU. REFER TO COMPATIBILITY CHART FOR POWER DISTRIBUTION MODULE OPTIONS AND THEIR BREAKER RATINGS .
- THIS SYSTEM SHALL BE INSTALLED AS A SEPARATELY DERIVED SYSTEM IN ACCORDANCE WITH LOCAL AND NATIONAL CODES. THE GROUNDING ELECTRODE CONDUCTOR (GEC) IS PROVIDED BY OTHERS.

THIS DRAWING AND SPECIFICATIONS HEREIN ARE THE PROPERTY OF SCHNEIDER ELECTRIC AND SHALL NOT BE COPIED, REPRODUCED OR USED IN WHOLE OR IN PART, AS THE BASIS FOR THE MANUFACTURE OR SALE OF ITEMS WITHOUT WRITTEN PERMISSION FROM SCHNEIDER ELECTRIC. THIS DRAWING IS BASED UPON LATEST AVAILABLE INFORMATION AND IS SUBJECT TO CHANGE WITHOUT NOTICE.

**Schneider  
Electric**

TITLE: APC 144kW MODULAR PDU  
ISOLATION TRANSFORMER, 480V:208V  
Input: 480V 3PH 60HZ  
Output: 208V 3PH 60HZ 72 POLE, 2 SUBFEED  
FIVE LINE DIAGRAM

PROJECT: SUBMITTAL DRAWINGS SHEET 8 OF 8

DWG NO: PDPM150G6F REV. 5

DRAWN BY: C KRISHNA/JP/S CUNHA/XN	28-MAY-15	PROJ
ENGINEER: FARRUKH SYED	28-MAY-15	ANGLE
APPROVED BY: A WARNER/B.SHERIDAN	28-MAY-15	N/A