

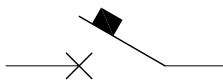
PDPM138H-5U-ISX Modular Power Distribution Unit 138kW PACKAGE.

Sheet No.	Component /Detail	Description
1	Draw ing Guide	ISX MODULAR POWER DISTRIBUTION UNIT, 138 KW , Draw ing guide
2	Specifications	ISX MODULAR POWER DISTRIBUTION UNIT, 138 KW, Specifications.
3	Isometric View	ISX MODULAR POWER DISTRIBUTION UNIT, 138 KW, Isometric View .
4	General Arrangement	ISX MODULAR POWER DISTRIBUTION UNIT, 138 KW, General Arrangement.
5	Internal View	ISX MODULAR POWER DISTRIBUTION UNIT, 138 KW, Internal View .
6	Details & User Interface	ISX MODULAR POWER DISTRIBUTION UNIT, 138 KW, Details & User Interface.
7-10	System One Line Diagram	ISX MODULAR POWER DISTRIBUTION UNIT, 138 KW, System One line Diagram.

LEGEND

SYMBOL

DESCRIPTION



SWITCH DISCONNECT

THIS DRAWING AND SPECIFICATIONS HEREIN ARE THE PROPERTY OF SCHNEIDER ELECTRIC AND SHALL NOT BE COPIED, REPRODUCED OR USED IN WHOLE OR IN PART, AS THE BASIS FOR THE MANUFACTURE OR SALE OF ITEMS WITHOUT WRITTEN PERMISSION FROM SCHNEIDER ELECTRIC. THIS DRAWING IS BASED UPON LATEST AVAILABLE INFORMATION AND IS SUBJECT TO CHANGE WITHOUT NOTICE.

Schneider Electric

TITLE: MODULAR POWER DISTRIBUTION
MODULAR RACK DISTRIBUTION PANEL
INPUT: 400V, 3PH, 50HZ
OUTPUT: 138kW, 200A, 400V, 18 POLE, 5U
DRAWING GUIDE

DWG NO: PDPM138H-5U

REV. 0

DRAWN: SURAJ P 07-MAR-11

ANGLE:

ENGINEER: M.LEPARD 19-MAR-12

PROJECTION:

PROJECT: DRAWINGS SHEET 1 OF 10

APPROVED: CLARSEN/S.WAGH/E.SILVA 19-MAR-12

N/A

ISX MODULAR POWER DISTRIBUTION UNIT.

1. AC Input

- 1.1 Nominal voltage : 400V/230V, 3PH, 3W+N+PE (provided by others)
- 1.2 Frequency : 50Hz
- 1.3 Input Circuit Breaker : 200A
- 1.4 Maximum continuous current : 200A
- 1.5 maximum Input conductor : 250 MCM

2. AC Output

- 2.1 Nominal voltage : 400V/230V, 3PH, 3W+N+PE
- 2.2 Maximum continuous current : 200A
- 2.3 Full Load rating : 138kW
- 2.4 Power Distribution poles available : 18
- 2.5 Maximum number of PDMs : 6

3. ENVIRONMENTS

- 3.1 The assembly is made for an ambient temperature for operation of : 0°C to 30°C.
- 3.2 The assembly is made for an ambient temperature for storage of : 0°C to 45°C.
- 3.3 Rated conditional short-circuit current (I_{cc}) : 10kA

4. ENCLOSURE

- 4.1 The assembly material is steel with surface coating.
- 4.2 The assembly is made for Indoor floor Installation.

5. CONNECTIONS

- 5.1 Incoming and outgoing cables to be connected to terminals in component section.
- 5.2 Input cable entry is through top of the unit.

NOTES:

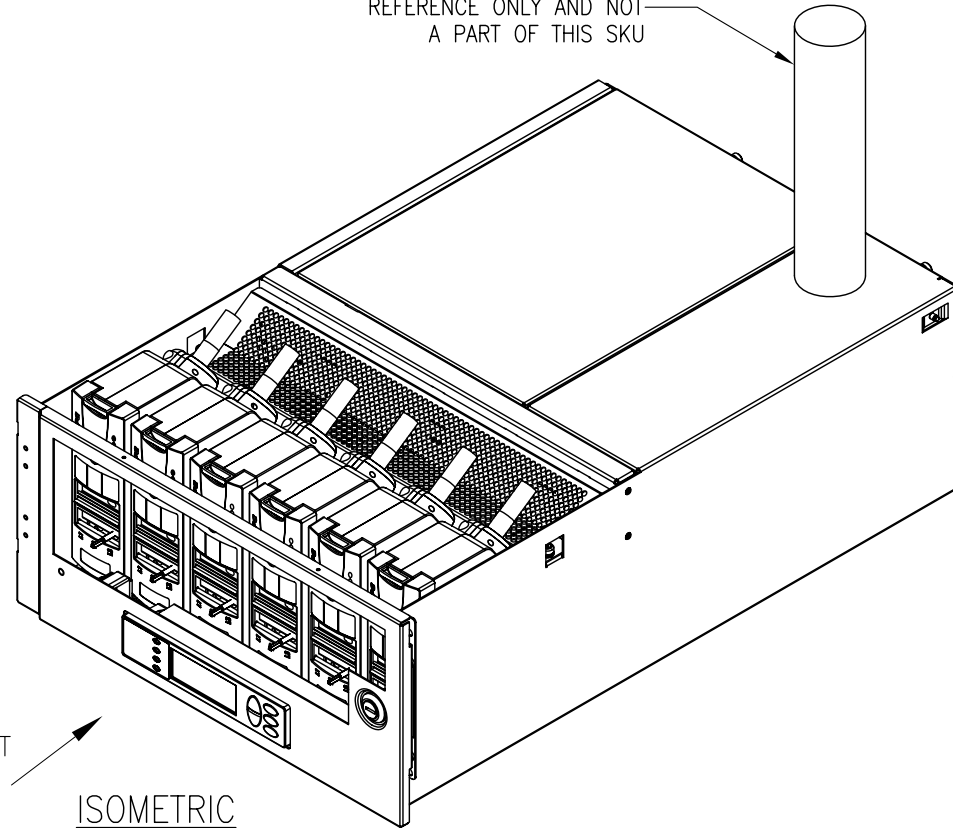
1. INSTALLATION SHALL COMPLY WITH ALL APPLICABLE NATIONAL, STATE AND LOCAL ELECTRICAL REGULATION.
2. PLEASE REFER TO PRODUCT MANUALS PRIOR TO INSTALLATION AND SITE PREPARATION WORK FOR FURTHER DETAILS.

THIS DRAWING AND SPECIFICATIONS HEREIN ARE THE PROPERTY OF SCHNEIDER ELECTRIC AND SHALL NOT BE COPIED, REPRODUCED OR USED IN WHOLE OR IN PART, AS THE BASIS FOR THE MANUFACTURE OR SALE OF ITEMS WITHOUT WRITTEN PERMISSION FROM SCHNEIDER ELECTRIC. THIS DRAWING IS BASED UPON LATEST AVAILABLE INFORMATION AND IS SUBJECT TO CHANGE WITHOUT NOTICE.

Schneider
Electric

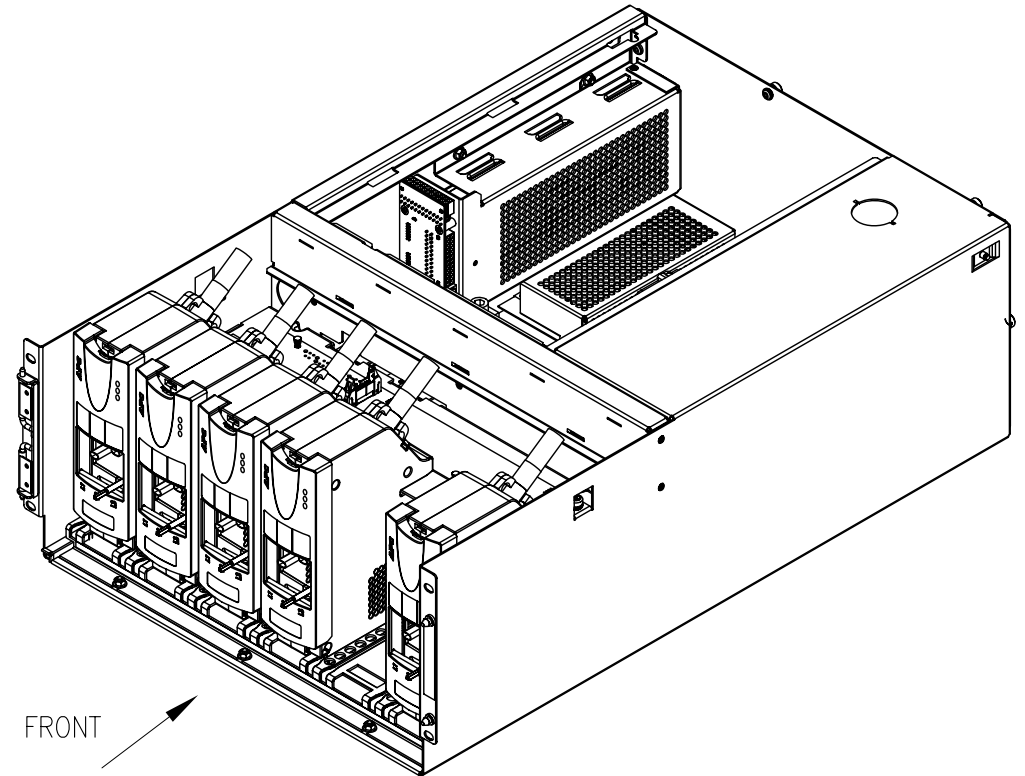
TITLE: MODULAR POWER DISTRIBUTION MODULAR RACK DISTRIBUTION PANEL INPUT: 400V, 3PH, 50Hz OUTPUT: 138kW, 200A, 400V, 18 POLE, 5U SPECIFICATIONS	DWG NO: PDPM138H-5U	REV: 0
PROJECT: DRAWINGS SHEET 2 OF 10	DRAWN: SURAJ P	07-MAR-11
	ENGINEER: M.LEPARD	19-MAR-12
	APPROVED: CLARSEN/S.WAGH/E.SILVA	19-MAR-12
		ANGLE PROJECTION
		N/A

CONDUIT IS SHOWN FOR
REFERENCE ONLY AND NOT
A PART OF THIS SKU



FRONT

ISOMETRIC
VIEW-EXTERNAL



FRONT

ISOMETRIC
VIEW-INTERNAL

NOTES:

1. INSTALLATION SHALL COMPLY WITH ALL APPLICABLE NATIONAL, STATE AND LOCAL ELECTRICAL REGULATION.
2. PLEASE REFER TO PRODUCT MANUALS PRIOR TO INSTALLATION AND SITE PREPARATION WORK FOR FURTHER DETAILS.

THIS DRAWING AND SPECIFICATIONS HEREIN ARE THE PROPERTY OF SCHNEIDER ELECTRIC AND SHALL NOT BE COPIED, REPRODUCED OR USED IN WHOLE OR IN PART, AS THE BASIS FOR THE MANUFACTURE OR SALE OF ITEMS WITHOUT WRITTEN PERMISSION FROM SCHNEIDER ELECTRIC. THIS DRAWING IS BASED UPON LATEST AVAILABLE INFORMATION AND IS SUBJECT TO CHANGE WITHOUT NOTICE.



TITLE: MODULAR POWER DISTRIBUTION
MODULAR RACK DISTRIBUTION PANEL
INPUT: 400V, 3PH, 50Hz
OUTPUT: 138kW, 200A, 400V, 18 POLE, 5U
ISOMETRIC VIEW

DWG NO: PDPM138H-5U REV: 0

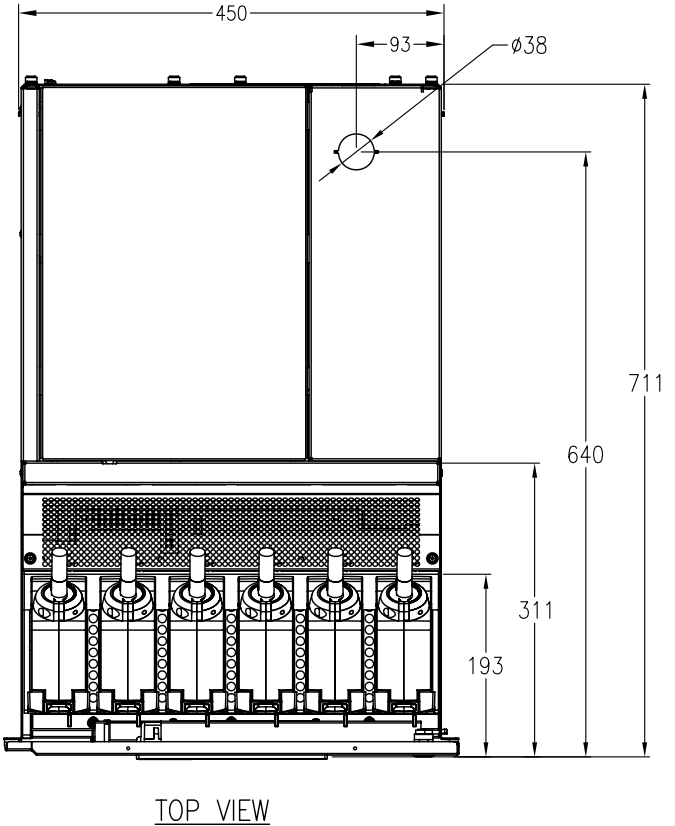
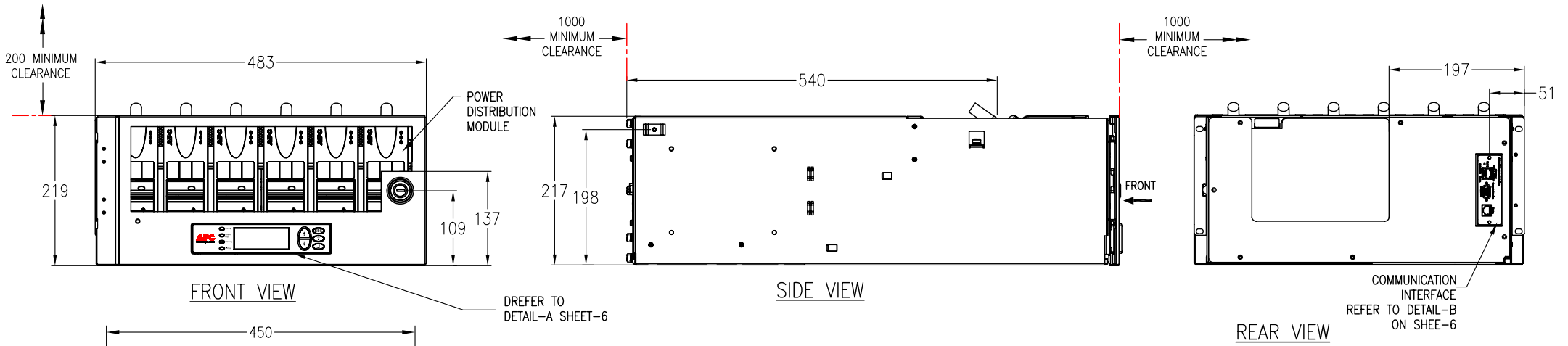
DRAWN: SURAJ P 07-MAR-11

ENGINEER: M.LEPARD 19-MAR-12

APPROVED: CLARSEN/S.WAGH/E.SILVA 19-MAR-12

PROJECT: DRAWINGS SHEET 3 OF 10

FIRST
ANGLE
PROJECTION



DREFER TO
 DETAIL-A SHEET-6

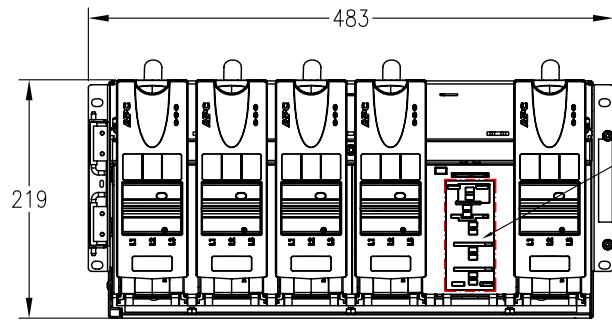
- NOTES:**
1. INSTALLATION SHALL COMPLY WITH ALL APPLICABLE NATIONAL, STATE AND LOCAL ELECTRICAL REGULATION.
 2. PLEASE REFER TO PRODUCT MANUALS PRIOR TO INSTALLATION AND SITE PREPARATION WORK FOR FURTHER DETAILS.
 3. ALL DIMENSIONS ARE IN MILLIMETERS.
 4. CABLE ENTRY IS FROM TOP OF UNIT.
 5. FRONT, AND REAR ACCESS ARE REQUIRED FOR SERVICE.
 6. WEIGHT OF THE UNIT IS 30.14 kg. WITHOUT POWER DISTRIBUTION MODULES.

THIS DRAWING AND SPECIFICATIONS HEREIN ARE THE PROPERTY OF SCHNEIDER ELECTRIC AND SHALL NOT BE COPIED, REPRODUCED OR USED IN WHOLE OR IN PART, AS THE BASIS FOR THE MANUFACTURE OR SALE OF ITEMS WITHOUT WRITTEN PERMISSION FROM SCHNEIDER ELECTRIC. THIS DRAWING IS BASED UPON LATEST AVAILABLE INFORMATION AND IS SUBJECT TO CHANGE WITHOUT NOTICE.



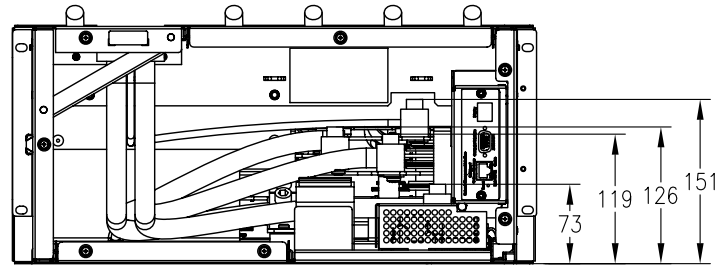
TITLE: MODULAR POWER DISTRIBUTION
 MODULAR RACK DISTRIBUTION PANEL
 INPUT: 400V, 3PH, 50Hz
 OUTPUT: 138kW, 200A, 400V, 18 POLE, 5U
 GENERAL ARRANGEMENT

DWG NO:	PDPM138H-5U		REV:	0
DRAWN:	SURAJ P	07-MAR-11	FIRST	ANGLE
ENGINEER:	M.LEPARD	19-MAR-12	PROJECTION	
APPROVED:	CLARSEN/S.WAGH/E.SILVA		19-MAR-12	

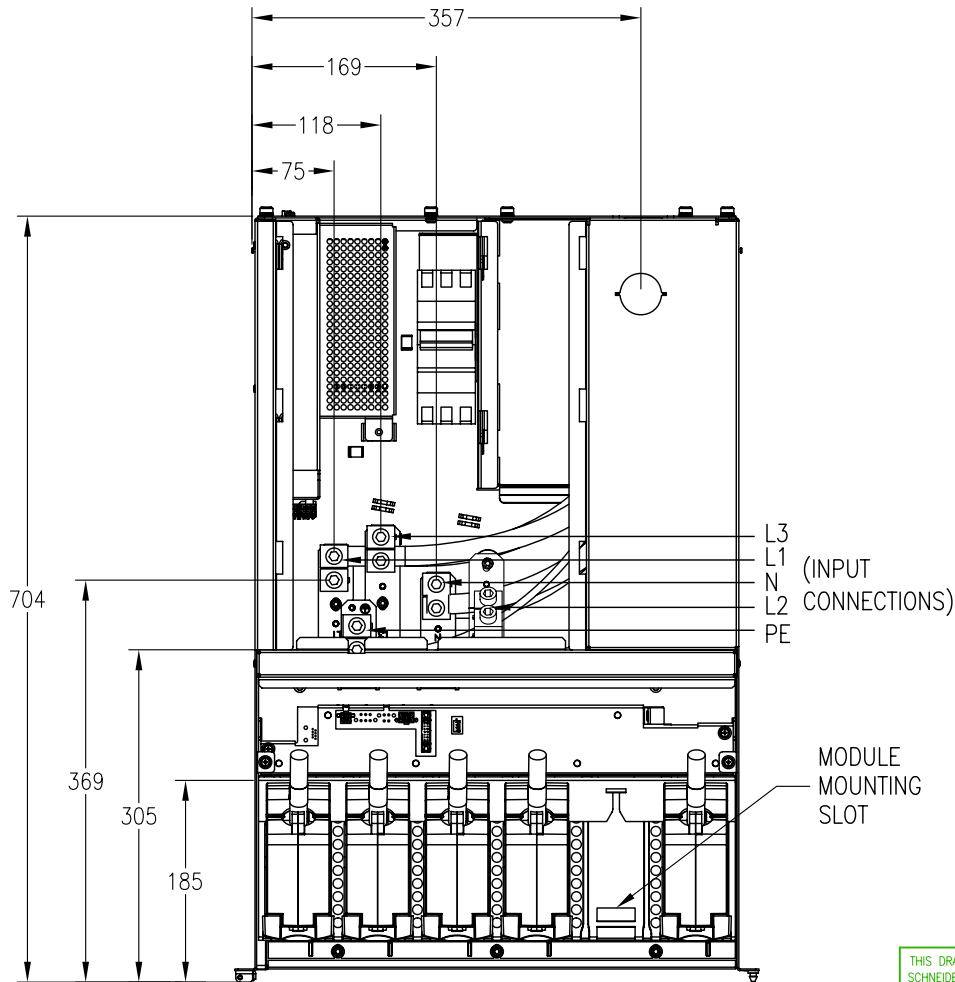


FRONT VIEW

BUSBARS REFER TO
DETAIL-C
ON SHEET-6



REAR VIEW



NOTES:

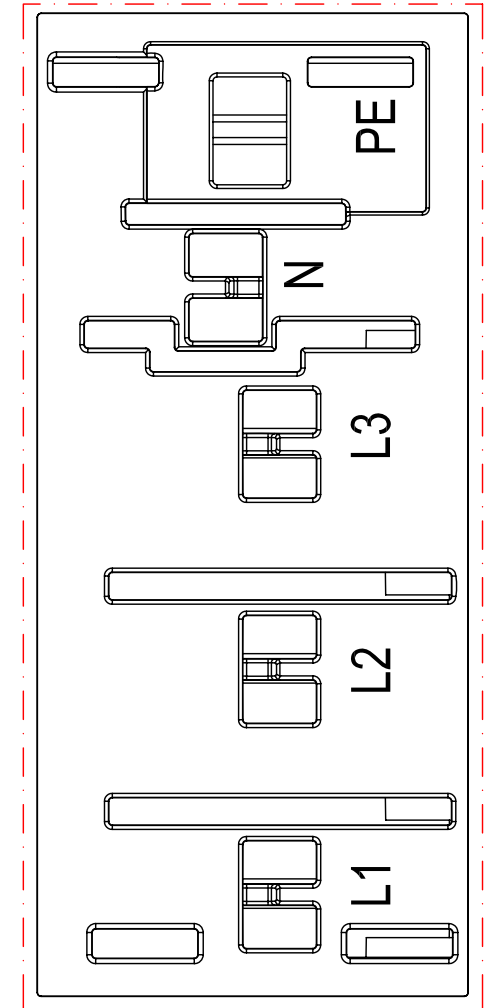
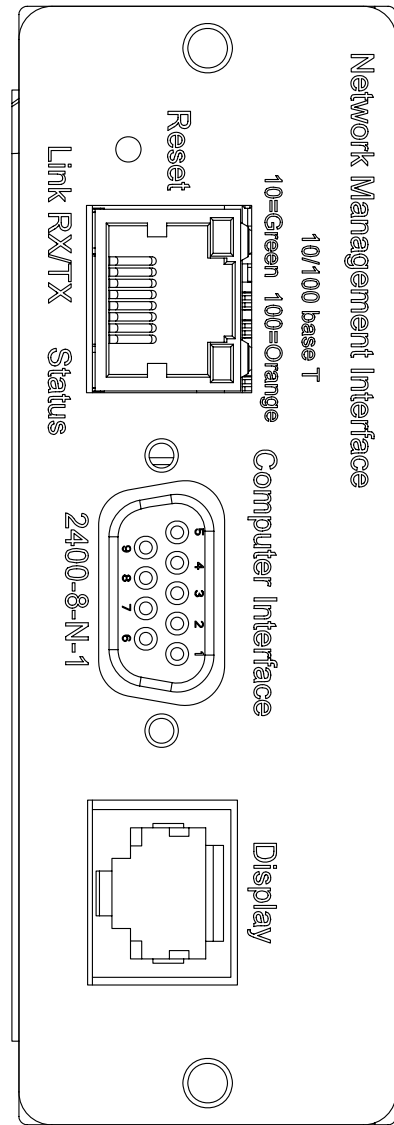
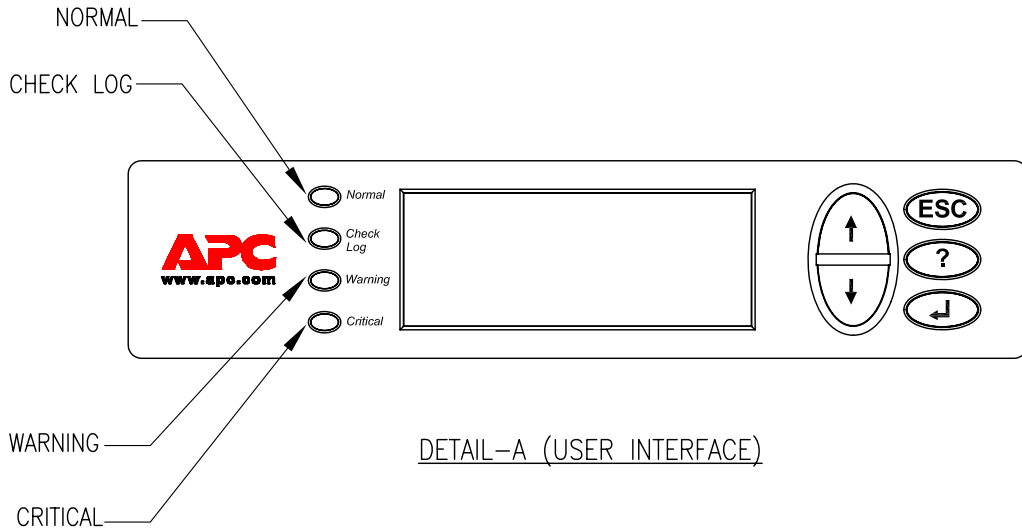
1. INSTALLATION SHALL COMPLY WITH ALL APPLICABLE NATIONAL, STATE AND LOCAL ELECTRICAL REGULATION.
2. PLEASE REFER TO PRODUCT MANUALS PRIOR TO INSTALLATION AND SITE PREPARATION WORK FOR FURTHER DETAILS.
3. ALL DIMENSIONS ARE IN MILLIMETERS.
4. ALL POWER DISTRIBUTION MODULES AND EXTENDER CABLES ARE NOT PART OF THIS SKU AND ARE ORDERED SEPARATELY. PLEASE CONTACT APC.
5. CONNECTION DETAILS SHOWN ARE TYPICAL. REFER TO SLD FOR DETAILS.
6. SOME STRUCTURAL DETAILS HAVE BEEN OMITTED FOR CLARITY.

THIS DRAWING AND SPECIFICATIONS HEREIN ARE THE PROPERTY OF SCHNEIDER ELECTRIC AND SHALL NOT BE COPIED, REPRODUCED OR USED IN WHOLE OR IN PART, AS THE BASIS FOR THE MANUFACTURE OR SALE OF ITEMS WITHOUT WRITTEN PERMISSION FROM SCHNEIDER ELECTRIC. THIS DRAWING IS BASED UPON LATEST AVAILABLE INFORMATION AND IS SUBJECT TO CHANGE WITHOUT NOTICE.



TITLE: MODULAR POWER DISTRIBUTION
MODULAR RACK DISTRIBUTION PANEL
INPUT: 400V, 3PH, 50Hz
OUTPUT: 138kW, 200A, 400V, 18 POLE, 5U
INTERNAL VIEW

DWG NO:	PDPM138H-5U		REV:	0
DRAWN:	SURAJ P	07-MAR-11	FIRST	ANGLE
ENGINEER:	M.LEPARD	19-MAR-12	PROJECTION	
PROJECT:	DRAWINGS	SHEET 5 OF 10	APPROVED:	CLARSEN/S.WAGH/E.SILVA
			19-MAR-12	



NOTES:

1. INSTALLATION SHALL COMPLY WITH ALL APPLICABLE NATIONAL, STATE AND LOCAL ELECTRICAL REGULATION.
2. PLEASE REFER TO PRODUCT MANUALS PRIOR TO INSTALLATION AND SITE PREPARATION WORK FOR FURTHER DETAILS.
3. ALL DIMENSIONS ARE IN MILLIMETERS.

THIS DRAWING AND SPECIFICATIONS HEREIN ARE THE PROPERTY OF SCHNEIDER ELECTRIC AND SHALL NOT BE COPIED, REPRODUCED OR USED IN WHOLE OR IN PART, AS THE BASIS FOR THE MANUFACTURE OR SALE OF ITEMS WITHOUT WRITTEN PERMISSION FROM SCHNEIDER ELECTRIC. THIS DRAWING IS BASED UPON LATEST AVAILABLE INFORMATION AND IS SUBJECT TO CHANGE WITHOUT NOTICE.



TITLE: MODULAR POWER DISTRIBUTION
MODULAR RACK DISTRIBUTION PANEL
INPUT: 400V, 3PH, 50HZ
OUTPUT: 138KW, 200A, 400V, 18 POLE, 5U
USER INTERFACE CONNECTION DETAILS

PROJECT: DRAWINGS SHEET 6 OF 10

DWG NO: PDPM138H-5U REV: 0

DRAWN: SURAJ P	07-MAR-11	FIRST ANGLE PROJECTION
ENGINEER: M.LEPARD	19-MAR-12	
APPROVED: CLARSEN/S.WAGH/E.SILVA	19-MAR-12	

PRODUCT RATING		
DEVICE	NOMINAL CURRENT	RATED SHORT CIRCUIT CURRENT
PDPM INPUT	200A	10kA SYMMETRICAL
PDPM OUTPUT	200A	10kA SYMMETRICAL

DISTRIBUTION DETAILS					
DEVICE ID	RATING	TYPE	MAKE	MODEL	RATED SHORT CIRCUIT CURRENT
MODULE-X	16A/32A	POWER DISTRIBUTION MODULE 3POLE BREAKER, 3PH 5WIRE CABLE WITH IEC-309 CONNECTOR	APC	SEE NOTE 7	10kA SYMMETRICAL

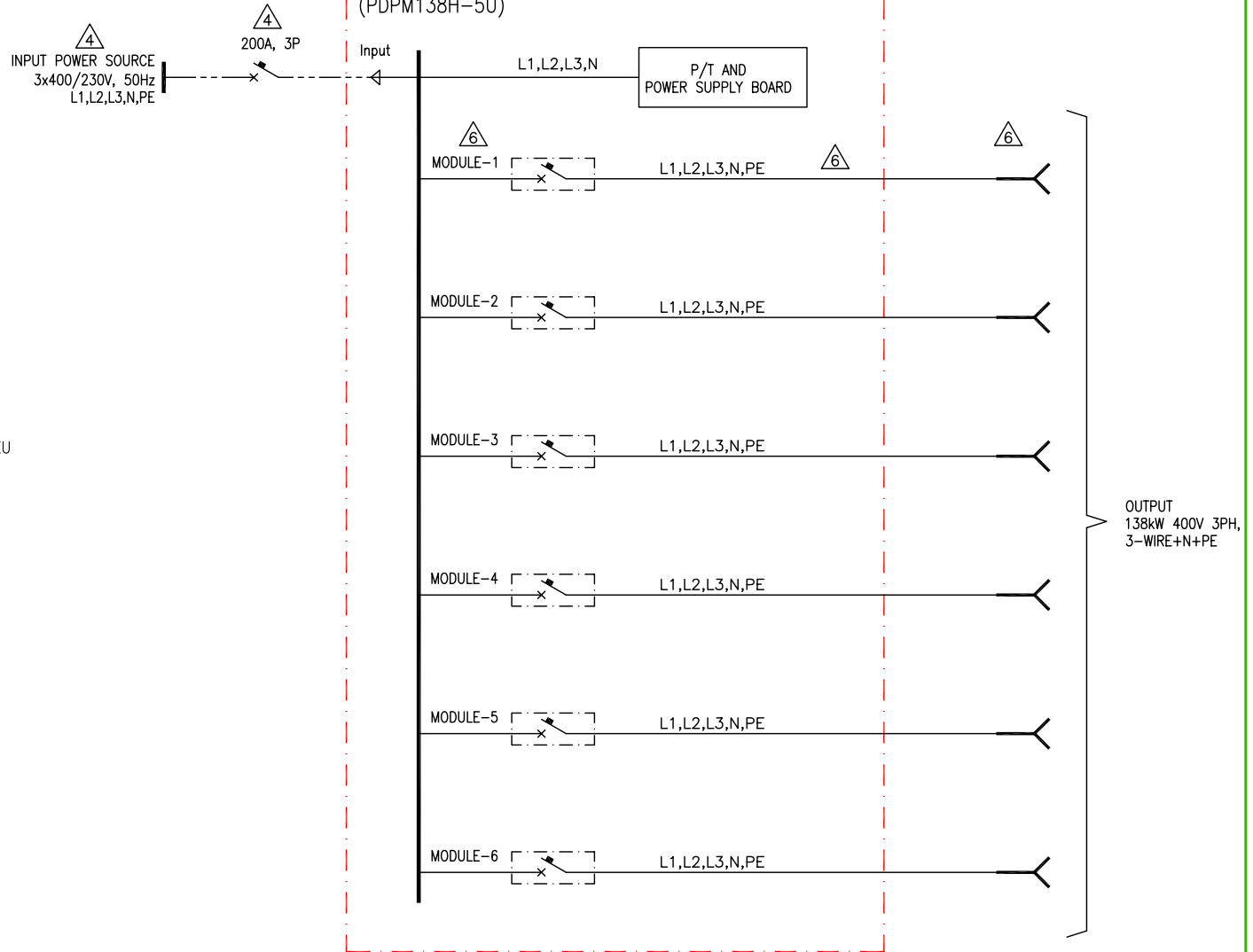
LEGEND:
 - - - - - AC CABLE - PROVIDED BY OTHERS.
 _____ AC BUS

- NOTES:
- INSTALLATION SHALL COMPLY WITH ALL APPLICABLE NATIONAL, STATE AND LOCAL ELECTRICAL REGULATION.
 - PLEASE REFER TO PRODUCT MANUALS PRIOR TO INSTALLATION AND SITE PREPARATION WORK FOR FURTHER DETAILS.
 - DRAWING DEPICTS POWER SYSTEM CONNECTIONS AND IS NOT REPRESENTATIVE OF PHYSICAL LAYOUT, PLEASE REFER TO MECHANICAL DRAWINGS FOR PHYSICAL LAYOUT.
- Δ4. 3x400/230V L1, L2, L3, N, PE (PROVIDED BY OTHERS).
 5. ALL AC POWER CABLING IS L1,L2, L3, N, PE.
 Δ6. ALL POWER DISTRIBUTION MODULES AND EXTENDER CABLES ARE NOT PART OF THIS SKU AND ARE ORDERED SEPARATELY. PLEASE CONTACT SCHNEIDER ELECTRIC.
 7. OPTIONS DETAILS.
 MAXIMUM 6 MODULES PER SKU.
 PLEASE CONTACT SCHNEIDER ELECTRIC FOR LATEST LIST OF MODULE OPTIONS.

SKU number	
16A-3P BREKER, 16A-3PH PLUG WITH 2.5 SQ. MM CABLE	32A-3P BREAKER, 32A-3PH PLUG WITH 6 SQ. MM CABLE
PDM3516IEC-80	PDM3532IEC-80
PDM3516IEC-140	PDM3532IEC-140
PDM3516IEC-200	PDM3532IEC-200
PDM3516IEC-260	PDM3532IEC-260
PDM3516IEC-320	PDM3532IEC-320
PDM3516IEC-380	PDM3532IEC-380
PDM3516IEC-440	PDM3532IEC-440
PDM3516IEC-500	PDM3532IEC-500
PDM3516IEC-560	PDM3532IEC-560
PDM3516IEC-620	PDM3532IEC-620
PDM3516IEC-680	PDM3532IEC-680
PDM3516IEC-740	PDM3532IEC-740
PDM3516IEC-800	PDM3532IEC-800
PDM3516IEC-860	PDM3532IEC-860
PDM3516IEC-920	PDM3532IEC-920
PDM3516IEC-980	PDM3532IEC-980
PDM3516IEC-1040	PDM3532IEC-1040

PDM3516IEC-1040
 _____ CABLE LENGTH IN CENTIMETERS (1040cms)
 _____ BREAKER RATING IN AMPERE (16A)
 _____ NUMBER OF WIRES (5 WIRE)
 _____ BREAKER POLES (3 POLE)
 _____ POWER DISTRIBUTION MODULE WITH IEC309 CONNECTOR

MODULAR RACK DISTRIBUTION PANEL UNIT (PDPM138H-5U)



THIS DRAWING AND SPECIFICATIONS HEREIN ARE THE PROPERTY OF SCHNEIDER ELECTRIC AND SHALL NOT BE COPIED, REPRODUCED OR USED IN WHOLE OR IN PART, AS THE BASIS FOR THE MANUFACTURE OR SALE OF ITEMS WITHOUT WRITTEN PERMISSION FROM SCHNEIDER ELECTRIC. THIS DRAWING IS BASED UPON LATEST AVAILABLE INFORMATION AND IS SUBJECT TO CHANGE WITHOUT NOTICE.



TITLE: MODULAR RACK DISTRIBUTION PANEL
 INPUT: 400V, 3PH, 50Hz
 Output: 138kW, 200A, 400V, 18 POLE, 5U
 3 POLE BREAKER MODULE
 SYSTEM ON LINE DIAGRAM
 PROJECT: DRAWINGS SHEET 7 OF 10

DWG NO: PDPM138H-5U
 DRAWN: SURAJ P
 ENGINEER: M.WEISENBLOOM
 APPROVED: C.LARSEN/S.WAGH
 REV: 0
 07-MAR-11
 19-MAR-12
 19-MAR-12
 ANGLE
 PROJECTION:
 N/A

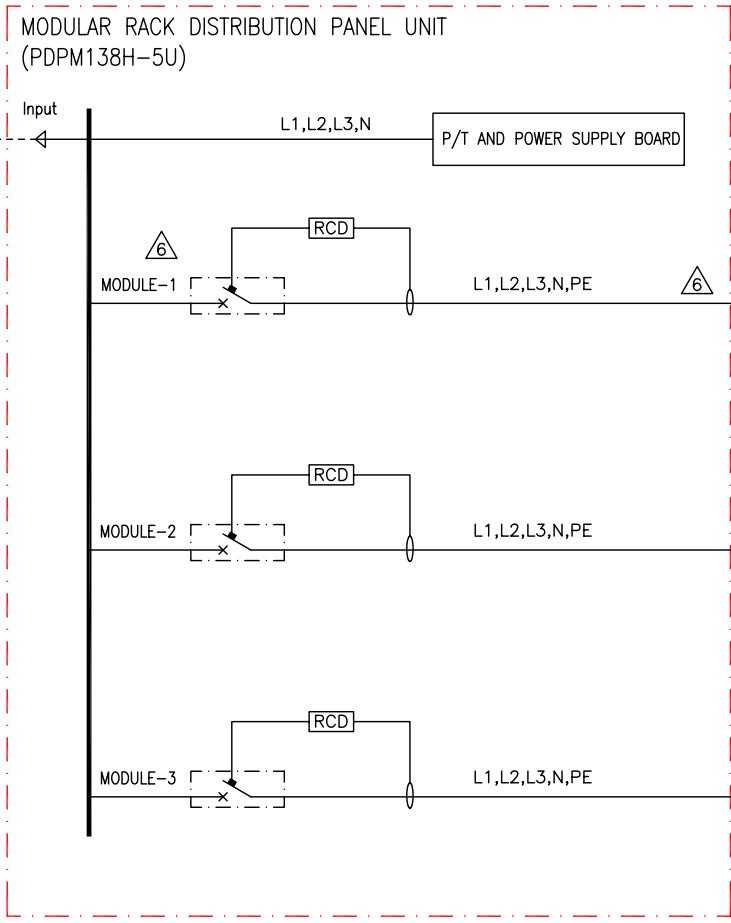
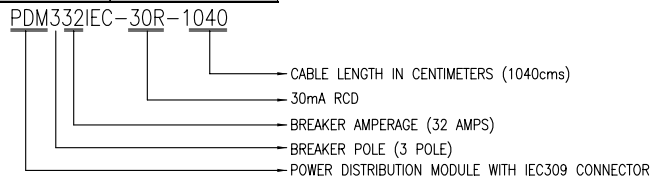
PRODUCT RATING		
DEVICE	NOMINAL CURRENT	RATED SHORT CIRCUIT CURRENT
PDPM INPUT	200A	10kA SYMMETRICAL
PDPM OUTPUT	200A	10kA SYMMETRICAL

DISTRIBUTION DETAILS					
DEVICE ID	RATING	TYPE	MAKE	MODEL	RATED SHORT CIRCUIT CURRENT
MODULE-X	16A/32A	POWER DISTRIBUTION MODULE 3POLE +NEUTRAL BREAKER WITH 30mA 3P+N RCD, 3PH 5WIRE CABLE WITH IEC-309 CONNECTOR	APC	SEE NOTE 8	10kA SYMMETRICAL

LEGEND:	
---	AC CABLE - PROVIDED BY OTHERS.
—	AC BUS

- NOTES:**
- INSTALLATION SHALL COMPLY WITH ALL APPLICABLE NATIONAL, STATE AND LOCAL ELECTRICAL REGULATION.
 - PLEASE REFER TO PRODUCT MANUALS PRIOR TO INSTALLATION AND SITE PREPARATION WORK FOR FURTHER DETAILS.
 - DRAWING DEPICTS POWER SYSTEM CONNECTIONS AND IS NOT REPRESENTATIVE OF PHYSICAL LAYOUT, PLEASE REFER TO MECHANICAL DRAWINGS FOR PHYSICAL LAYOUT.
 - 3x400/230V L1, L2, L3, N, PE (PROVIDED BY OTHERS). FOR OTHER EARTHING PRINCIPLES, PLEASE CONTACT SCHNEIDER ELECTRIC. RECOMMENDED UPSTREAM PROTECTION IS A MINIMUM RATING TO SUPPORT MAXIMUM CURRENT WITHOUT SELECTIVITY. IF SELECTIVITY IS REQUIRED, PLEASE CONTACT SCHNEIDER ELECTRIC.
 - ALL AC POWER CABLING IS L1,L2, L3, N, PE.
 - ALL POWER DISTRIBUTION MODULES AND EXTENDER CABLES ARE NOT PART OF THIS SKU AND ARE ORDERED SEPARATELY. PLEASE CONTACT SCHNEIDER ELECTRIC.
 - POWER DISTRIBUTION MODULES WITH RCDs REQUIRE 2 MODULE POSITIONS. THE TOTAL MAXIMUM NUMBER OF MODULES WILL BE LESS THAN 3 MODULES WHEN RCDs ARE INSTALLED.
 - OPTIONS DETAILS.
MAXIMUM 3 MODULES PER SKU.
PLEASE CONTACT SCHNEIDER ELECTRIC FOR LATEST LIST OF MODULE OPTIONS.

SKU Number	
16A-3P BREAKER WITH 30mA RCD, 16A-3PH 3WIRE PLUG WITH 2.5 SQ. MM CABLE	32A-3P BREAKER WITH 30mA RCD, 32A-3PH 3WIRE PLUG WITH 6 SQ. MM CABLE
PDM316IEC-30R-140	PDM332IEC-30R-140
PDM316IEC-30R-320	PDM332IEC-30R-320
PDM316IEC-30R-500	PDM332IEC-30R-500
PDM316IEC-30R-680	PDM332IEC-30R-680
PDM316IEC-30R-860	PDM332IEC-30R-860
PDM316IEC-30R-1040	PDM332IEC-30R-1040



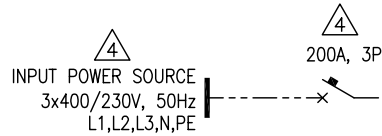
THIS DRAWING AND SPECIFICATIONS HEREIN ARE THE PROPERTY OF SCHNEIDER ELECTRIC AND SHALL NOT BE COPIED, REPRODUCED OR USED IN WHOLE OR IN PART, AS THE BASIS FOR THE MANUFACTURE OR SALE OF ITEMS WITHOUT WRITTEN PERMISSION FROM SCHNEIDER ELECTRIC. THIS DRAWING IS BASED UPON LATEST AVAILABLE INFORMATION AND IS SUBJECT TO CHANGE WITHOUT NOTICE.



TITLE: MODULAR RACK DISTRIBUTION PANEL
INPUT: 400V, 3PH, 50Hz
Output: 138kW, 200A, 400V, 18 POLE, 5U
3 POLE BREAKER MODULE WITH RCD
SYSTEM ONLE LINE DIAGRAM

DWG NO:	PDPM138H-5U		REV:	0
DRAWN:	SURAJ P	07-MAR-11	ANGLE	
ENGINEER:	M.WEISENBLOOM	19-MAR-12	PROJECTION:	
APPROVED:	C.LARSEN/S.WAGH	19-MAR-12		N/A

MODULAR RACK DISTRIBUTION PANEL UNIT (PDPM138H-5U)



PRODUCT RATING		
DEVICE	NOMINAL CURRENT	RATED SHORT CIRCUIT CURRENT
PDPM INPUT	200A	10kA SYMMETRICAL
PDPM OUTPUT	200A	10kA SYMMETRICAL

DISTRIBUTION DETAILS					
DEVICE ID	RATING	TYPE	MAKE	MODEL	RATED SHORT CIRCUIT CURRENT
MODULE-X	16A/32A	POWER DISTRIBUTION MODULE 3-1POLE + NEUTRAL BREAKER, 3-1PH 3WIRE CABLE WITH IEC-309 CONNECTOR	APC	SEE NOTE 7	10kA SYMMETRICAL

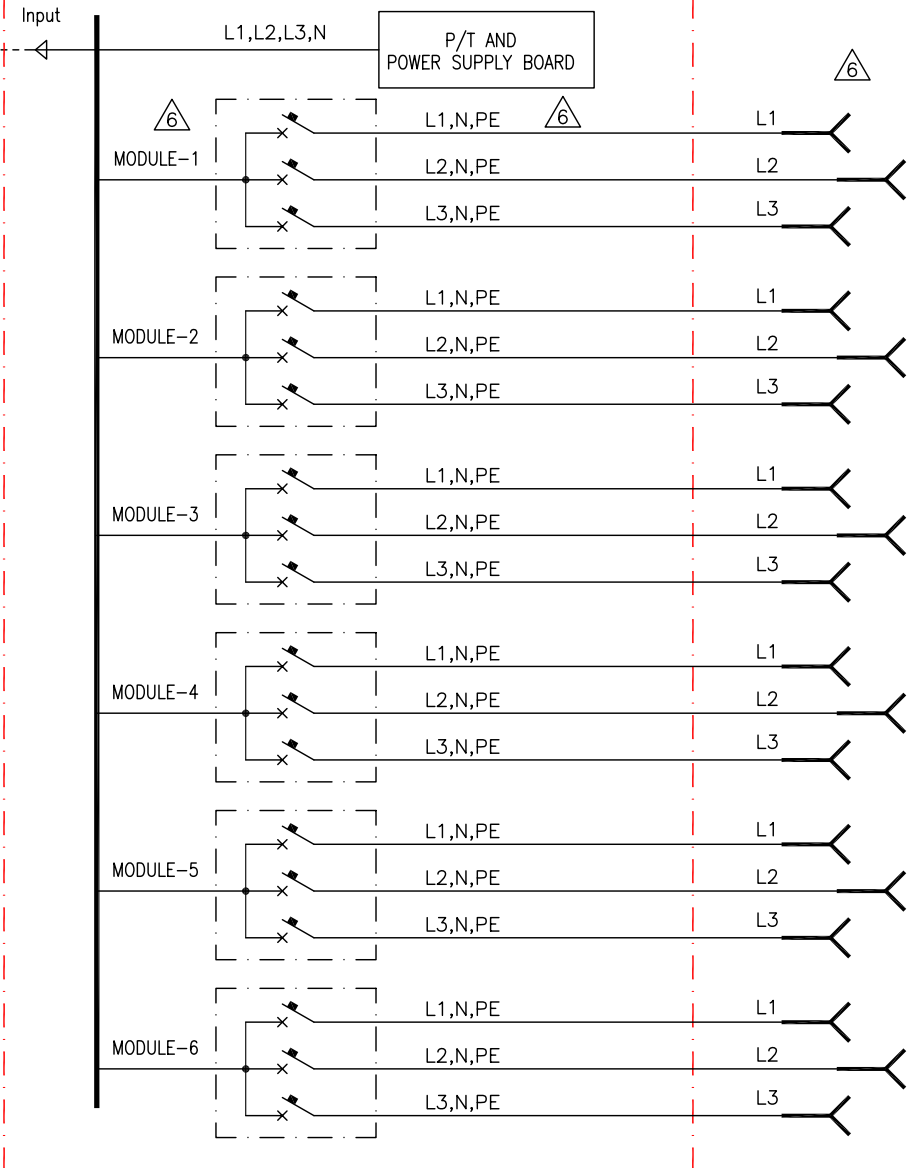
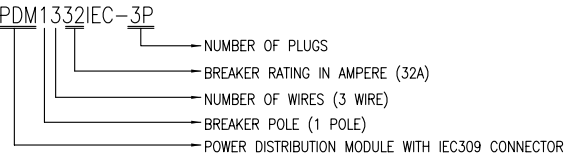
LEGEND:

----- AC CABLE - PROVIDED BY OTHERS.

————— AC BUS

- NOTES:**
- INSTALLATION SHALL COMPLY WITH ALL APPLICABLE NATIONAL, STATE AND LOCAL ELECTRICAL REGULATION.
 - PLEASE REFER TO PRODUCT MANUALS PRIOR TO INSTALLATION AND SITE PREPARATION WORK FOR FURTHER DETAILS.
 - DRAWING DEPICTS POWER SYSTEM CONNECTIONS AND IS NOT REPRESENTATIVE OF PHYSICAL LAYOUT, PLEASE REFER TO MECHANICAL DRAWINGS FOR PHYSICAL LAYOUT.
 - 3x400/230V L1, L2, L3, N, PE (PROVIDED BY OTHERS).
FOR OTHER EARTHING PRINCIPLES, PLEASE CONTACT SCHNEIDER ELECTRIC.
RECOMMENDED UPSTREAM PROTECTION IS A MINIMUM RATING TO SUPPORT MAXIMUM CURRENT WITHOUT SELECTIVITY. IF SELECTIVITY IS REQUIRED, PLEASE CONTACT SCHNEIDER ELECTRIC.
 - ALL AC POWER CABLING IS L1,L2, L3, N, PE.
 - ALL POWER DISTRIBUTION MODULES AND EXTENDER CABLES ARE NOT PART OF THIS SKU AND ARE ORDERED SEPARATELY. PLEASE CONTACT SCHNEIDER ELECTRIC.
 - OPTIONS DETAILS.
MAXIMUM 6 MODULES PER SKU.
PLEASE CONTACT SCHNEIDER ELECTRIC FOR LATEST LIST OF MODULE OPTIONS.

SKU Number	Cable length in Centimeters/Phase	IEC309Plug Sepsification	Cable specification
PDM1316IEC-3P	300/L1, 360/L2 & 420/L3	16A-1PH 3 WIRE	2.5 S.Q. MM
PDM1332IEC-3P	300/L1, 360/L2 & 420/L3	32A-1PH 3 WIRE	6 S.Q. MM
PDM1332IEC-3P-2	480/L1, 540/L2 & 600/L3	32A-1PH 3 WIRE	6 S.Q. MM
PDM1332IEC-3P-3	660/L1, 720/L2 & 780/L3	32A-1PH 3 WIRE	6 S.Q. MM



THIS DRAWING AND SPECIFICATIONS HEREIN ARE THE PROPERTY OF SCHNEIDER ELECTRIC AND SHALL NOT BE COPIED, REPRODUCED OR USED IN WHOLE OR IN PART, AS THE BASIS FOR THE MANUFACTURE OR SALE OF ITEMS WITHOUT WRITTEN PERMISSION FROM SCHNEIDER ELECTRIC. THIS DRAWING IS BASED UPON LATEST AVAILABLE INFORMATION AND IS SUBJECT TO CHANGE WITHOUT NOTICE.

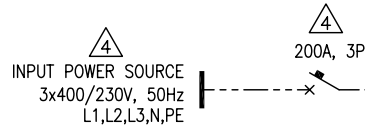


TITLE: MODULAR RACK DISTRIBUTION PANEL
INPUT: 400V, 3PH, 50Hz
Output: 138kW, 200A, 400/230V, 18 POLE, 5U
1 POLE BREAKER MODULE
SYSTEM ONLE LINE DIAGRAM

DWG NO:	PDPM138H-5U		REV:	0
DRAWN:	SURAJ P	07-MAR-11	ANGLE	PROJECTION
ENGINEER:	M.WEISENBLOOM	19-MAR-12		
APPROVED:	C.LARSEN/S.WAGH	19-MAR-12		

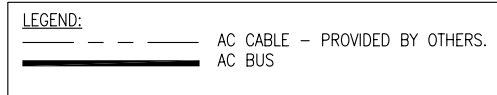
PROJECT: DRAWINGS SHEET 9 OF 10

MODULAR RACK DISTRIBUTION PANEL UNIT
(PDPM138H-5U)



PRODUCT RATING		
DEVICE	NOMINAL CURRENT	RATED SHORT CIRCUIT CURRENT
PDPM INPUT	200A	10ka SYMMETRICAL
PDPM OUTPUT	200A	10ka SYMMETRICAL

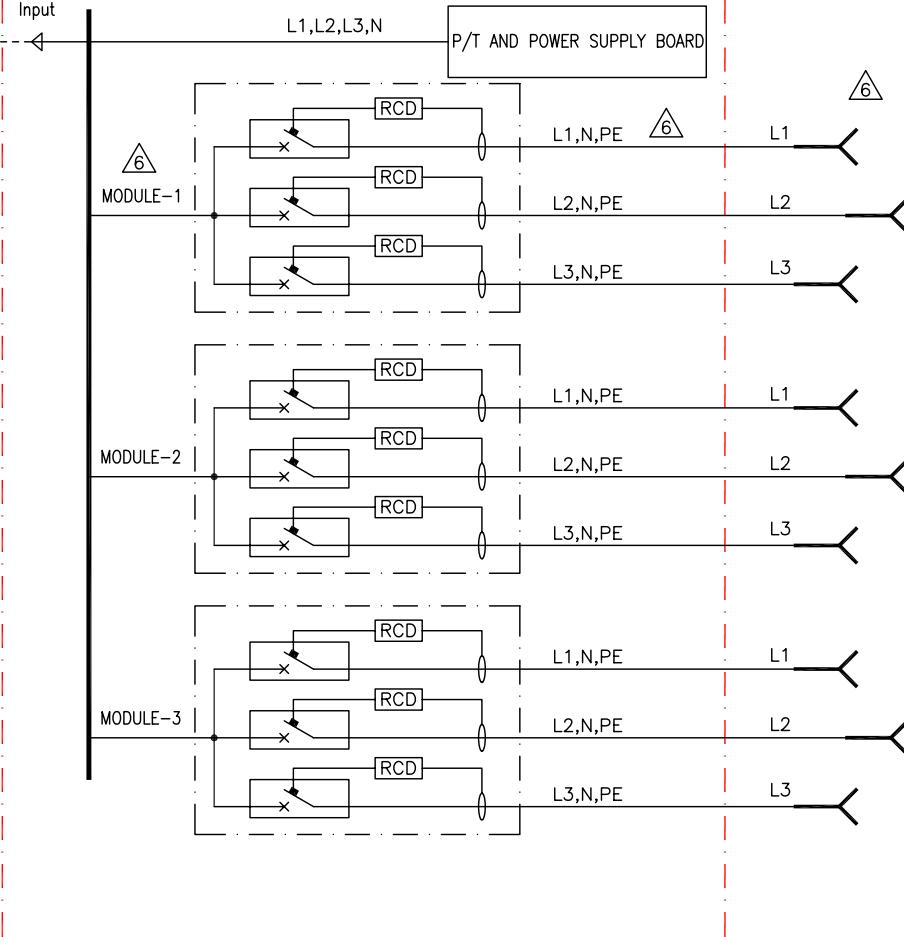
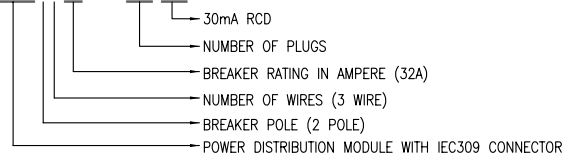
DISTRIBUTION DETAILS					
DEVICE ID	RATING	TYPE	MAKE	MODEL	RATED SHORT CIRCUIT CURRENT
MODULE-X	32A	POWER DISTRIBUTION MODULE 3-1POLE + NEUTRAL BREAKER WITH 30mA 1P+NEUTRAL RCD, 3-1PH 3WIRE CABLE WITH IEC-309 CONNECTOR	APC	SEE NOTE 8	10ka SYMMETRICAL



- NOTES:
- INSTALLATION SHALL COMPLY WITH ALL APPLICABLE NATIONAL, STATE AND LOCAL ELECTRICAL REGULATION.
 - PLEASE REFER TO PRODUCT MANUALS PRIOR TO INSTALLATION AND SITE PREPARATION WORK FOR FURTHER DETAILS.
 - DRAWING DEPICTS POWER SYSTEM CONNECTIONS AND IS NOT REPRESENTATIVE OF PHYSICAL LAYOUT, PLEASE REFER TO MECHANICAL DRAWINGS FOR PHYSICAL LAYOUT.
 - 3x400/230V L1, L2, L3, N, PE (PROVIDED BY OTHERS). FOR OTHER EARTHING PRINCIPLES, PLEASE CONTACT SCHNEIDER ELECTRIC. RECOMMENDED UPSTREAM PROTECTION IS A MINIMUM RATING TO SUPPORT MAXIMUM CURRENT WITHOUT SELECTIVITY. IF SELECTIVITY IS REQUIRED, PLEASE CONTACT SCHNEIDER ELECTRIC.
 - ALL AC POWER CABLING IS L1,L2, L3, N, PE.
 - ALL POWER DISTRIBUTION MODULES AND EXTENDER CABLES ARE NOT PART OF THIS SKU AND ARE ORDERED SEPARATELY. PLEASE CONTACT SCHNEIDER ELECTRIC.
 - POWER DISTRIBUTION MODULES WITH RCDs REQUIRE 2 MODULE POSITIONS. THE TOTAL MAXIMUM NUMBER OF MODULES WILL BE LESS THAN 3 MODULES WHEN RCDs ARE INSTALLED.
 - OPTIONS DETAILS.
MAXIMUM 3 MODULES PER SKU.
PLEASE CONTACT SCHNEIDER ELECTRIC FOR LATEST LIST OF MODULE OPTIONS.

SKU Number	Cable length in Centimeters/Phase	IEC309Plug Specification	Cable specification
PDM2332IEC-3P30R-1	300/L1, 360/L2 & 420/L3	3x32A-1PH 3 WIRE	6 S.Q. MM
PDM2332IEC-3P30R-2	480/L1, 540/L2 & 600/L3	3x32A-1PH 3 WIRE	6 S.Q. MM
PDM2332IEC-3P30R-3	660/L1, 720/L2 & 780/L3	3x32A-1PH 3 WIRE	6 S.Q. MM

PDM2332IEC-3P30R



THIS DRAWING AND SPECIFICATIONS HEREIN ARE THE PROPERTY OF SCHNEIDER ELECTRIC AND SHALL NOT BE COPIED, REPRODUCED OR USED IN WHOLE OR IN PART, AS THE BASIS FOR THE MANUFACTURE OR SALE OF ITEMS WITHOUT WRITTEN PERMISSION FROM SCHNEIDER ELECTRIC. THIS DRAWING IS BASED UPON LATEST AVAILABLE INFORMATION AND IS SUBJECT TO CHANGE WITHOUT NOTICE.



TITLE: MODULAR RACK DISTRIBUTION PANEL
INPUT: 400V, 3PH, 50Hz
Output: -138kW, 200A, 400/230V, 18 POLE, 5U
1 POLE BREAKER MODULE WITH RCD
SYSTEM ON LINE DIAGRAM

PROJECT: DRAWINGS SHEET 10 OF 10

DWG NO: PDPM138H-5U

REV: 0

DRAWN: SURAJ P 07-MAR-11

ENGINEER: M.WEISENBLOOM 19-MAR-12

APPROVED: C.LARSEN/S.WAGH 19-MAR-12

ANGLE PROJECTION N/A