



# MODULAR POWER DISTRIBUTION UNIT, 266kW, 400A, 480V:240V Auto-transformer, 72 Pole, 300mm

Sheet No.	Component /Detail	Description
1	Draw ing Guide	Modular Remote Pow er Distribution Unit, 266kW, 400A, 480V:240V, Auto-Transformer, 72 Pole
2-6	Mechanical Layout	Modular Remote Pow er Distribution Unit, 266kW, 400A, 480V:240V, Auto-Transformer, 72 Pole
7-8	Internal View s	Modular Remote Pow er Distribution Unit, 266kW, 400A, 480V:240V, Auto-Transformer, 72 Pole - Internal view s & User Interface
9-10	System One Line Diagram	Modular Remote Pow er Distribution Unit, 266kW, 400A, 480V:240V, Auto-Transformer, 72 Pole - System One Line Diagram

LEGEND	
SYMBOL	DESCRIPTION
	CIRCUIT BREAKER
	AUTO TRANSFORMER

THIS DRAWING AND SPECIFICATIONS HEREIN ARE THE PROPERTY OF SCHNEIDER ELECTRIC AND SHALL NOT BE COPIED, REPRODUCED OR USED IN WHOLE OR IN PART, AS THE BASIS FOR THE MANUFACTURE OR SALE OF ITEMS WITHOUT WRITTEN PERMISSION FROM SCHNEIDER ELECTRIC. THIS DRAWING IS BASED UPON LATEST AVAILABLE INFORMATION AND IS SUBJECT TO CHANGE WITHOUT NOTICE.



TITLE: MODULAR POWER DISTRIBUTION UNIT WITH AUTO-TRANSFORMER  
 Input: 480V, 3PH, 60Hz  
 Output: 415V/230V  
 DRAWING GUIDE

DWG NO: PDPM288G6H REV. 0

DRAWN BY: SURAJ P 13-MAR-12 ANGLE

ENGINEER: M.UHRAN 19-MAR-12 PROJECTION

PROJECT: DRAWINGS SHEET 1 OF 10

APPROVED BY: B.SHERIDAN 19-MAR-12 N/A

# MODULAR POWER DISTRIBUTION UNIT - SPECIFICATIONS

## 1. AC Input

- 1.1 Nominal voltage : 480V, 3PH, 3W+N+G (provided by others)
- 1.2 Frequency : 60Hz
- 1.3 Input Circuit Breaker : 400A
- 1.4 Maximum continuous current : 320A
- 1.5 maximum Input conductor : 500 MCM

## 2. AC Output

- 2.1 Nominal voltage : 415V, 3PH, 3W+N+G  
415/230V, 1PH, 1W+N+G
- 2.2 Maximum continuous current : 370A
- 2.3 Full Load rating : 266kW @ 415V, 3PH
- 2.4 Power Distribution Module (PDM) : 415/240V, 3-pole modules
- 2.5 Power Distribution poles available : 72
- 2.6 Maximum number of PDMs : 24

## 3. AUTO-TRANSFORMER

- 3.1 Size and Type : 288 kVA
- 3.2 Type : Wye
- 3.3 Input Current : 346A
- 3.4 Output voltage : 415Y/240V
- 3.5 Output current : 400A
- 3.6 Efficiency : >99.6%
- 3.7 Standards : UL60950

## 4. ENVIRONMENTS

- 4.1 The assembly is made for an ambient temperature for operation of : 0°C to 40°C.
- 4.2 The assembly is made for an ambient temperature for storage of : 0°C to 45°C.
- 4.3 Rated conditional short-circuit current (Icc) : 10kA

## 5. ENCLOSURE

- 5.1 The assembly material is steel with surface coating.
- 5.2 The assembly is made for Indoor floor Installation.

## 6. CONNECTIONS

- 6.1 Incoming and outgoing cables to be connected to terminals in component section.
- 6.2 Input cable entry is through top of the unit.

### NOTES:

- 1.INSTALLATION SHALL COMPLY WITH ALL APPLICABLE NATIONAL, STATE AND LOCAL CODES.
- 2.PLEASE REFER TO PRODUCT MANUALS PRIOR TO INSTALLATION AND SITE PREPARATION WORK FOR FURTHER DETAILS .

THIS DRAWING AND SPECIFICATIONS HEREIN ARE THE PROPERTY OF SCHNEIDER ELECTRIC AND SHALL NOT BE COPIED, REPRODUCED OR USED IN WHOLE OR IN PART, AS THE BASIS FOR THE MANUFACTURE OR SALE OF ITEMS WITHOUT WRITTEN PERMISSION FROM SCHNEIDER ELECTRIC. THIS DRAWING IS BASED UPON LATEST AVAILABLE INFORMATION AND IS SUBJECT TO CHANGE WITHOUT NOTICE.



TITLE: MODULAR POWER DISTRIBUTION UNIT  
WITH AUTO-TRANSFORMER  
Input: 480V, 3PH, 60Hz  
Output: 415V/230V  
SPECIFICATIONS

DWG NO: PDPM288G6H REV. 0

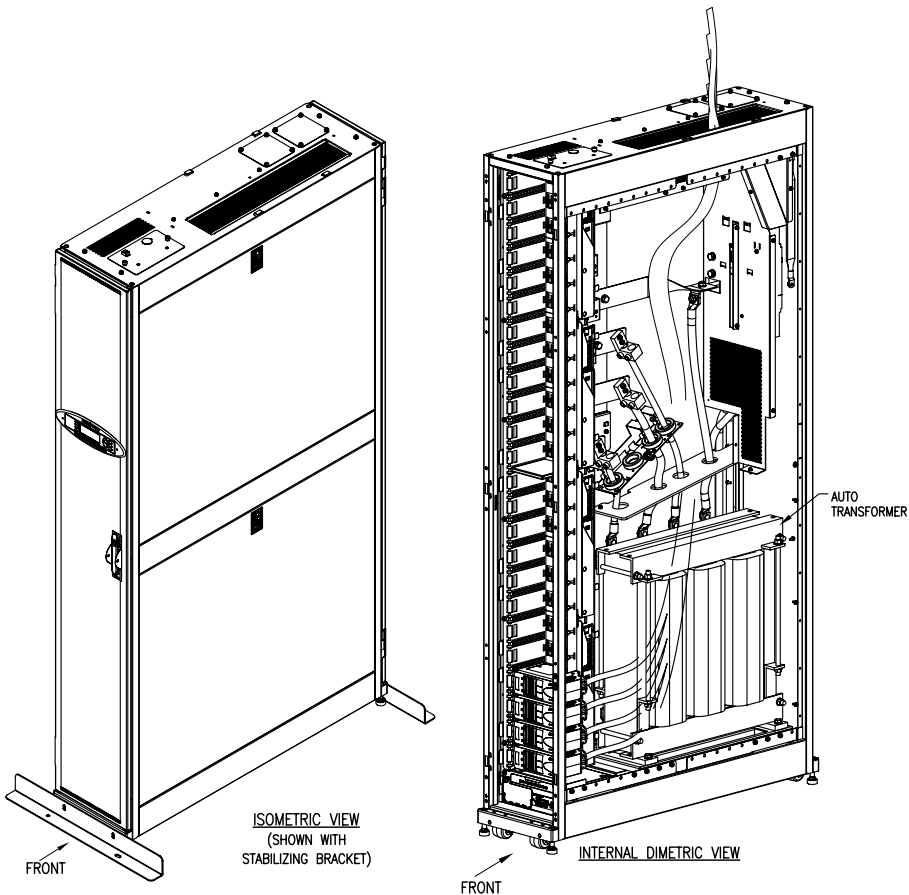
DRAWN BY: SURAJ P 13-MAR-12 ANGLE

ENGINEER: M.UHRAN 19-MAR-12 PROJECTION

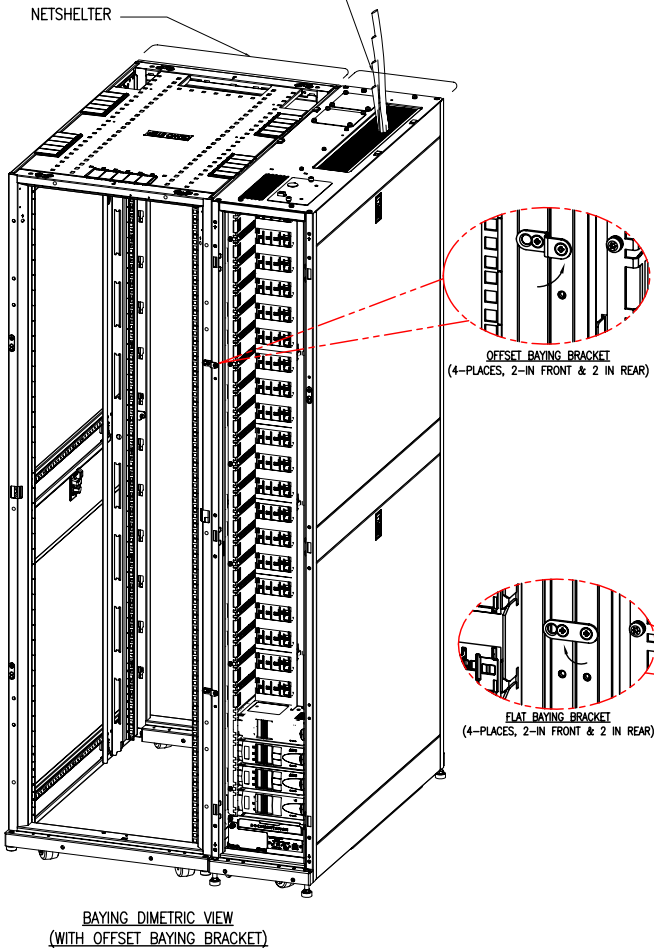
PROJECT: DRAWINGS SHEET 2 OF 10 APPROVED BY: B.SHERIDAN 19-MAR-12 N/A

TYPICAL ARRANGEMENT

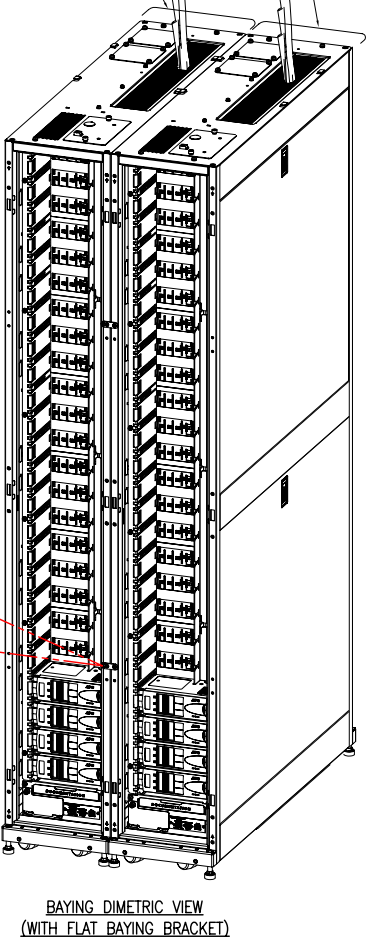
MODULAR POWER DISTRIBUTION UNIT  
PDPM288G6H



MODULAR POWER DISTRIBUTION UNIT  
PDPM288G6H



MODULAR POWER  
DISTRIBUTION UNIT-1  
PDPM288G6H



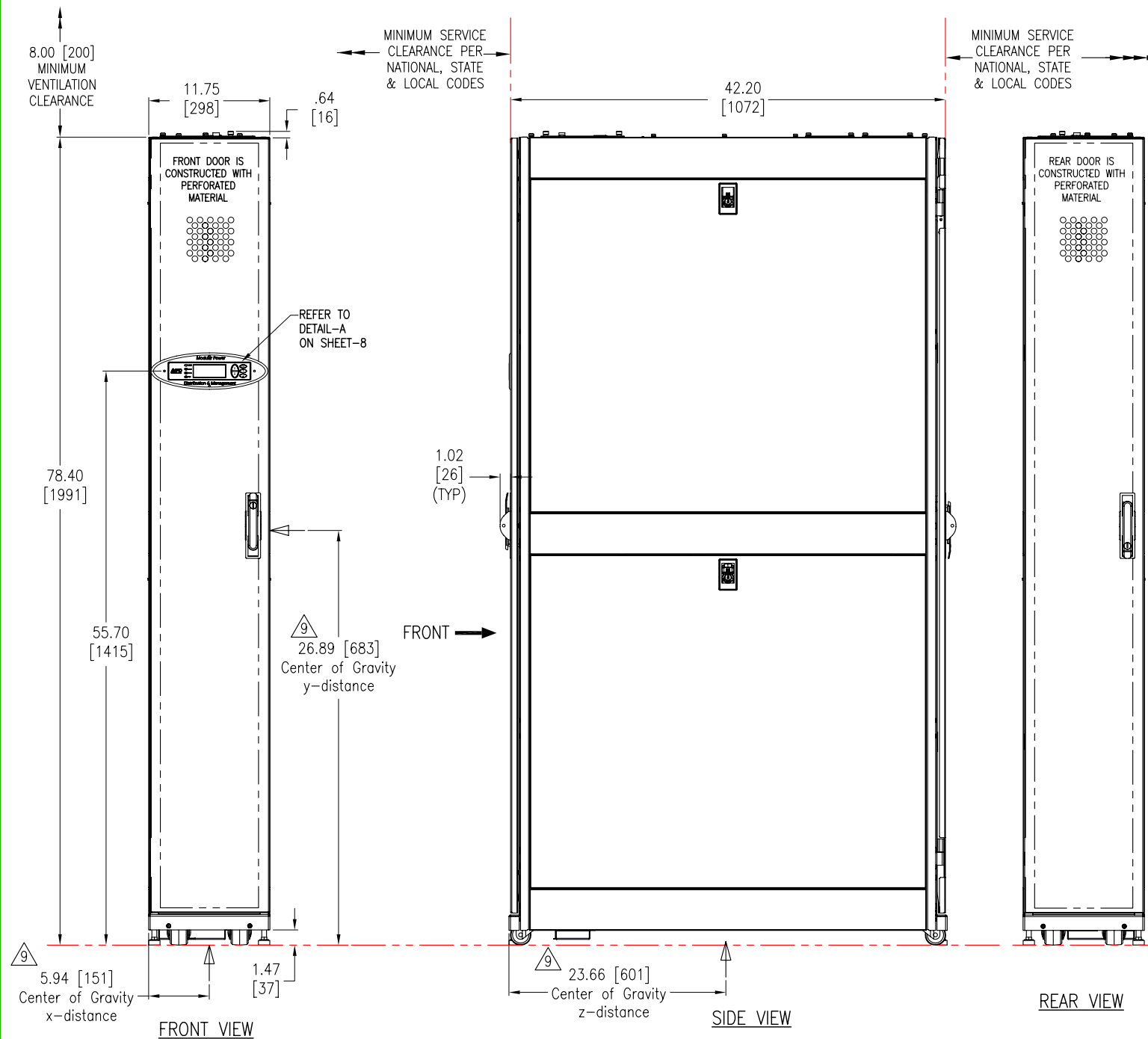
- NOTES:
- 1.INSTALLATION SHALL COMPLY WITH ALL APPLICABLE NATIONAL, STATE AND LOCAL CODES.
  - 2.PLEASE REFER TO PRODUCT MANUALS PRIOR TO INSTALLATION AND SITE PREPARATION WORK FOR FURTHER DETAILS .

THIS DRAWING AND SPECIFICATIONS HEREIN ARE THE PROPERTY OF SCHNEIDER ELECTRIC AND SHALL NOT BE COPIED, REPRODUCED OR USED IN WHOLE OR IN PART, AS THE BASIS FOR THE MANUFACTURE OR SALE OF ITEMS WITHOUT WRITTEN PERMISSION FROM SCHNEIDER ELECTRIC. THIS DRAWING IS BASED UPON LATEST AVAILABLE INFORMATION AND IS SUBJECT TO CHANGE WITHOUT NOTICE.



TITLE: MODULAR POWER DISTRIBUTION UNIT  
WITH AUTO-TRANSFORMER  
Input: 480V, 3PH, 60Hz  
Output: 415V/230V  
DIMETRIC VIEW

DWG NO:	PDPM288G6H		REV:	0
DRAWN BY:	SURAJ P	13-MAR-12	ANGLE PROJECTION	
ENGINEER:	M.UHRAN	19-MAR-12		
APPROVED BY:	B.SHERIDAN	19-MAR-12	N/A	



- NOTES:**
1. INSTALLATION SHALL COMPLY WITH ALL APPLICABLE NATIONAL, STATE AND LOCAL CODES.
  2. PLEASE REFER TO PRODUCT MANUALS PRIOR TO INSTALLATION AND SITE PREPARATION WORK FOR FURTHER DETAILS.
  3. ALL DIMENSIONS ARE IN INCHES [MILLIMETERS], UNLESS OTHERWISE SPECIFIED.
  4. CABLE ENTRY IS FROM TOP OF THE UNIT.
  5. FRONT AND REAR ACCESS ARE REQUIRED FOR SERVICE.
  6. WEIGHT OF THE UNIT IS 1150 lb [522.73 kg] WITHOUT POWER DISTRIBUTION MODULES.
  7. FLOOR LOADING: 333 lb/ft<sup>2</sup> [1625 kg/meter<sup>2</sup>] WITHOUT POWER DISTRIBUTION MODULES.
  8. COLOR: BLACK.
  - △ 9. THIS INFORMATION PROVIDED CONSERVATIVE CENTER OF GRAVITY CALCULATION.

THIS DRAWING AND SPECIFICATIONS HEREIN ARE THE PROPERTY OF SCHNEIDER ELECTRIC AND SHALL NOT BE COPIED, REPRODUCED OR USED IN WHOLE OR IN PART, AS THE BASIS FOR THE MANUFACTURE OR SALE OF ITEMS WITHOUT WRITTEN PERMISSION FROM SCHNEIDER ELECTRIC. THIS DRAWING IS BASED UPON LATEST AVAILABLE INFORMATION AND IS SUBJECT TO CHANGE WITHOUT NOTICE.

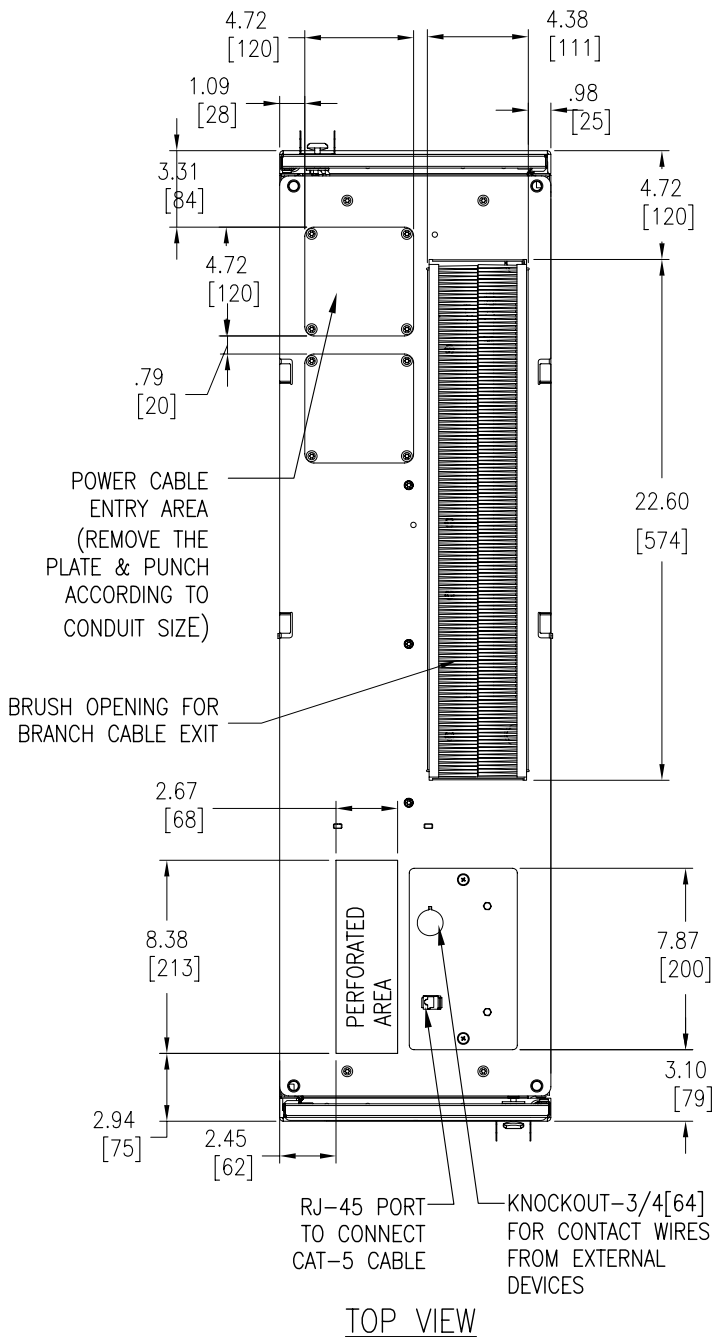


**TITLE:** MODULAR POWER DISTRIBUTION UNIT WITH AUTO-TRANSFORMER  
 Input: 480V, 3PH, 60Hz  
 Output: 415V/230V  
 GENERAL ARRANGEMENT

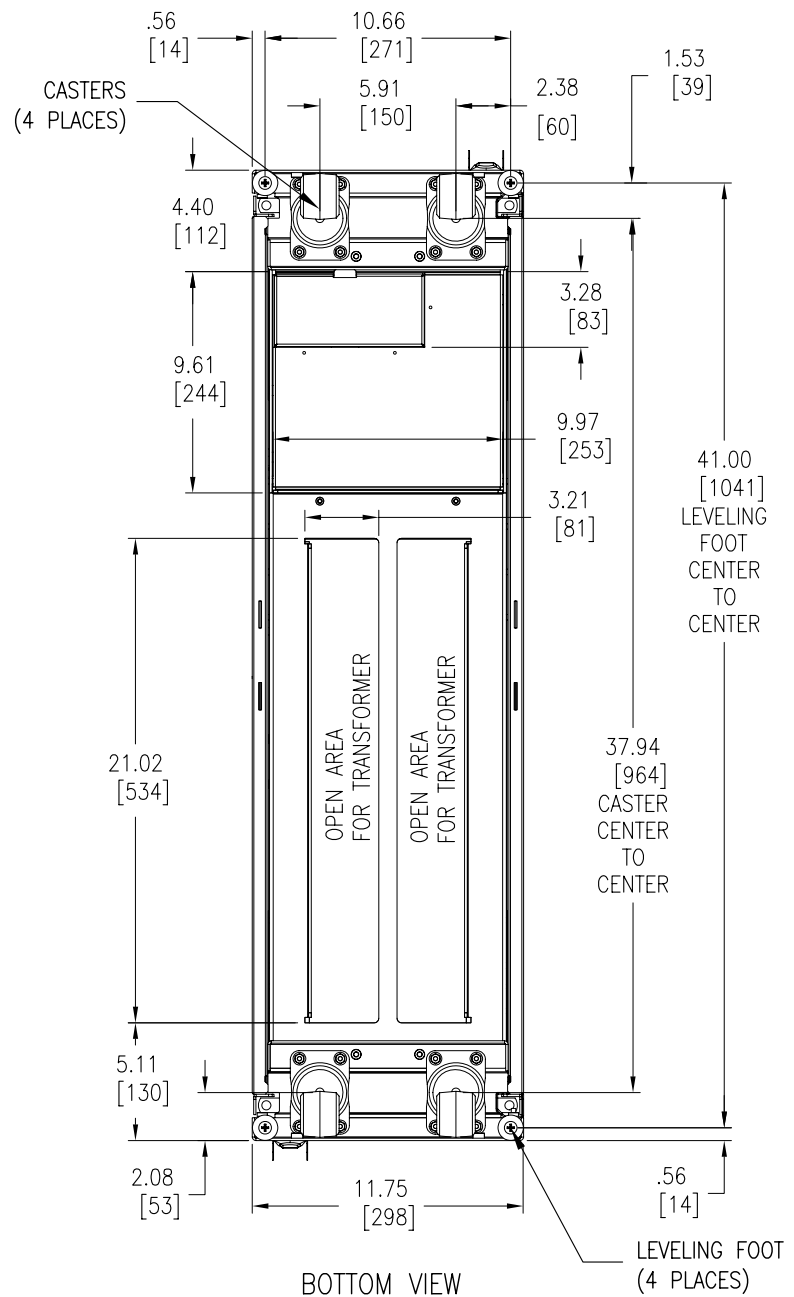
**PROJECT:** DRAWINGS **SHEET** 4 OF 10

<b>DWG NO:</b> PDPM288G6H	<b>REV:</b> 0
<b>DRAWN BY:</b> SURAJ P	13-MAR-12
<b>ENGINEER:</b> M.UHRAN	19-MAR-12
<b>APPROVED BY:</b> B.SHERIDAN	19-MAR-12

THIRD ANGLE PROJECTION



TOP VIEW



BOTTOM VIEW

NOTES:

- 1.INSTALLATION SHALL COMPLY WITH ALL APPLICABLE NATIONAL, STATE AND LOCAL CODES.
- 2.PLEASE REFER TO PRODUCT MANUALS PRIOR TO INSTALLATION AND SITE PREPARATION WORK FOR FURTHER DETAILS.
- 3.ALL DIMENSIONS ARE IN INCHES [MILLIMETERS], UNLESS OTHERWISE SPECIFIED.

THIS DRAWING AND SPECIFICATIONS HEREIN ARE THE PROPERTY OF SCHNEIDER ELECTRIC AND SHALL NOT BE COPIED, REPRODUCED OR USED IN WHOLE OR IN PART, AS THE BASIS FOR THE MANUFACTURE OR SALE OF ITEMS WITHOUT WRITTEN PERMISSION FROM SCHNEIDER ELECTRIC. THIS DRAWING IS BASED UPON LATEST AVAILABLE INFORMATION AND IS SUBJECT TO CHANGE WITHOUT NOTICE.

**Schneider Electric**

TITLE: MODULAR POWER DISTRIBUTION UNIT WITH AUTO-TRANSFORMER  
Input: 480V, 3PH, 60Hz  
Output: 415V/230V  
TOP & BOTTOM VIEW

PROJECT: DRAWINGS SHEET 5 OF 10

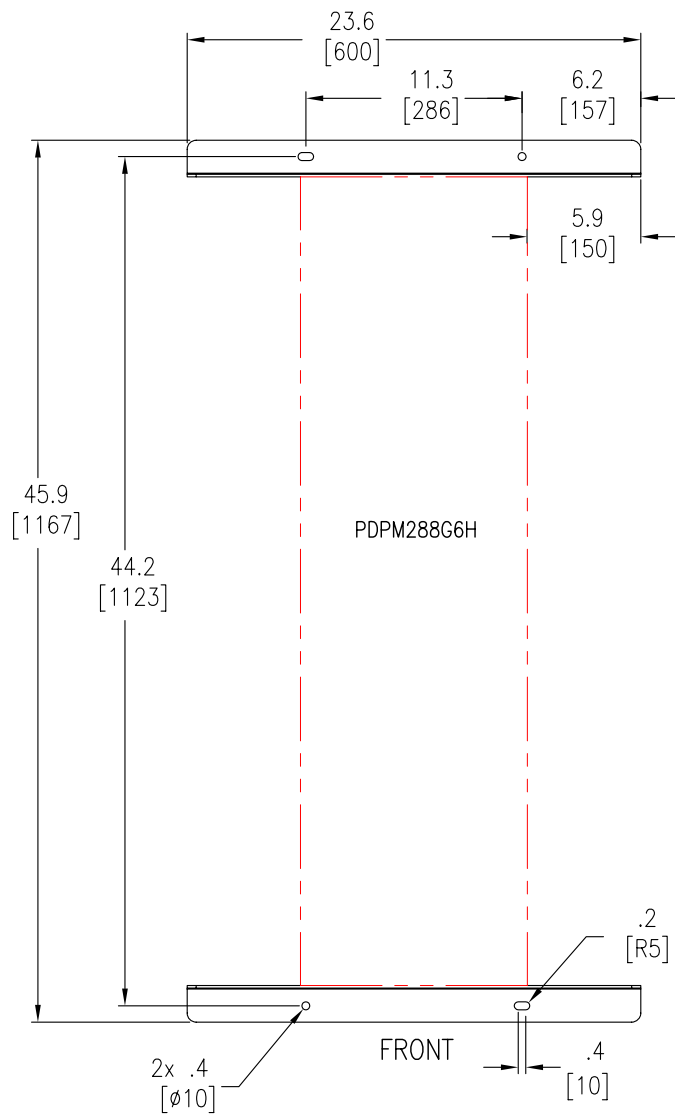
DWG NO: PDPM288G6H REV: 0

DRAWN BY: SURAJ P 13-MAR-12

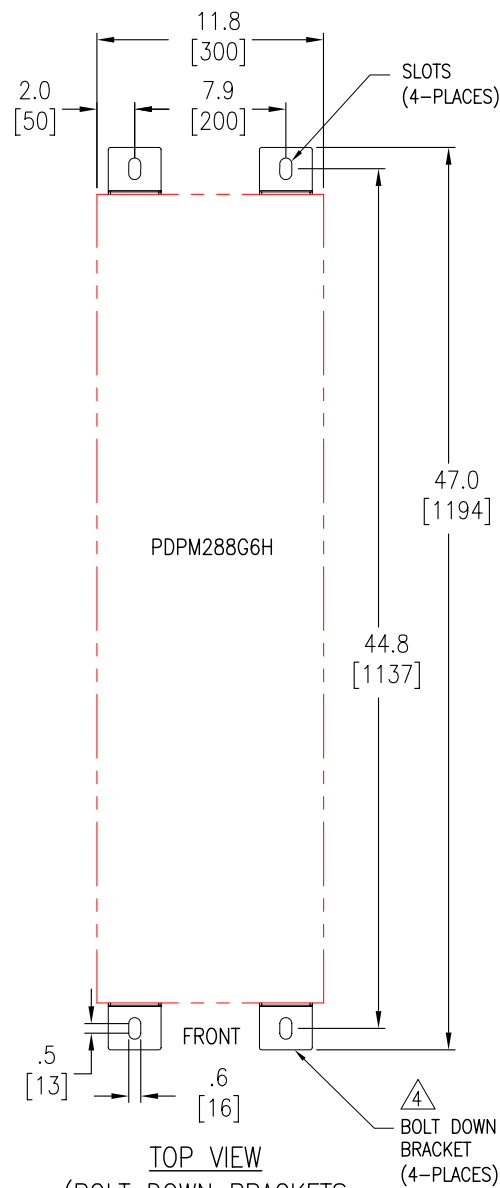
ENGINEER: M.UHRAN 19-MAR-12

APPROVED BY: B.SHERIDAN 19-MAR-12

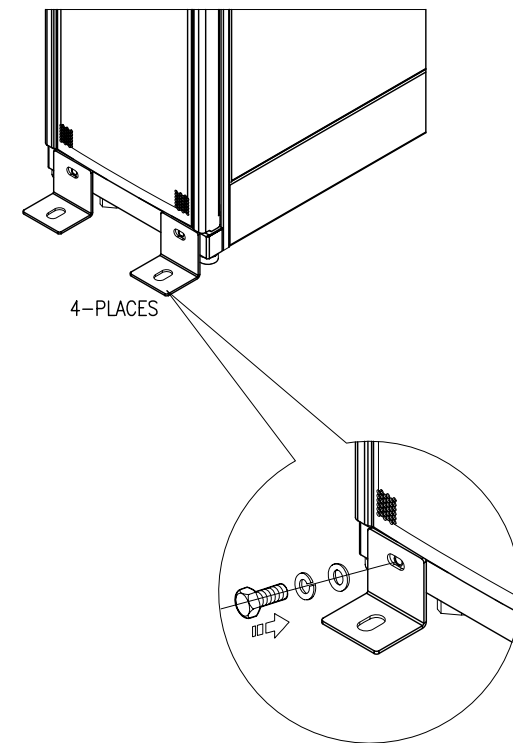
THIRD ANGLE PROJECTION



TOP VIEW  
(ANCHORING DETAILS  
WITH STABILIZING BRACKET)



TOP VIEW  
(BOLT DOWN BRACKETS  
MOUNTING HOLE LOCATIONS)



ISOMETRIC VIEW  
(BOLT DOWN BRACKETS  
MOUNTING DETAIL)

NOTES:

1. INSTALLATION SHALL COMPLY WITH ALL APPLICABLE NATIONAL, STATE AND LOCAL CODES.
2. PLEASE REFER TO PRODUCT MANUALS PRIOR TO INSTALLATION AND SITE PREPARATION WORK FOR FURTHER DETAILS.
3. ALL DIMENSIONS ARE IN INCHES [MILLIMETERS], UNLESS OTHERWISE SPECIFIED.
- △4. TO STABILIZE THE ENCLOSURE (IF IT IS NOT JOINED WITH ANOTHER COMPONENT) USE THE INCLUDED AR7701 BOLT-DOWN KIT. ATTACH THE BRACKETS TO THE UNIT AS SHOWN. USE CODE COMPLIANT FASTENERS TO SECURE THE UNIT TO THE FLOOR.

THIS DRAWING AND SPECIFICATIONS HEREIN ARE THE PROPERTY OF SCHNEIDER ELECTRIC AND SHALL NOT BE COPIED, REPRODUCED OR USED IN WHOLE OR IN PART, AS THE BASIS FOR THE MANUFACTURE OR SALE OF ITEMS WITHOUT WRITTEN PERMISSION FROM SCHNEIDER ELECTRIC. THIS DRAWING IS BASED UPON LATEST AVAILABLE INFORMATION AND IS SUBJECT TO CHANGE WITHOUT NOTICE.



TITLE: MODULAR POWER DISTRIBUTION UNIT  
WITH AUTO-TRANSFORMER  
Input: 480V, 3PH, 60Hz  
Output: 415V/230V  
ANCHORING DETAILS

DWG NO: PDPM288G6H

REV. 0

DRAWN BY: SURAJ P 13-MAR-12

THIRD

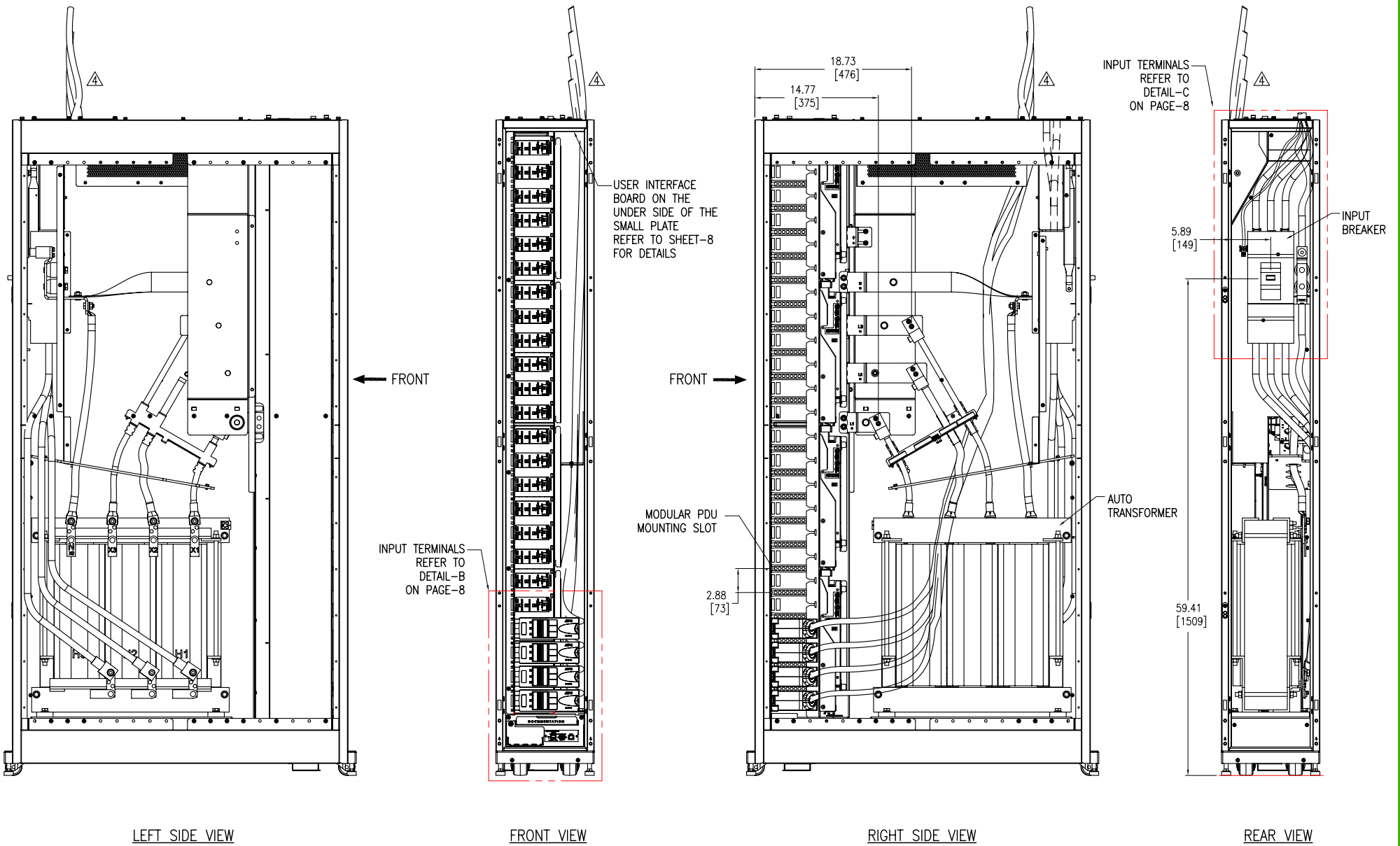
ENGINEER: M.UHRAN 19-MAR-12

ANGLE

PROJECT: DRAWINGS SHEET 6 OF 10

APPROVED BY: B.SHERIDAN 19-MAR-12

PROJECTION



LEFT SIDE VIEW

FRONT VIEW

RIGHT SIDE VIEW

REAR VIEW

**NOTES:**

1. INSTALLATION SHALL COMPLY WITH ALL APPLICABLE NATIONAL, STATE AND LOCAL CODES.
2. PLEASE REFER TO PRODUCT MANUALS PRIOR TO INSTALLATION AND SITE PREPARATION WORK FOR FURTHER DETAILS.
3. ALL DIMENSIONS ARE IN INCHES [MILLIMETERS], UNLESS OTHERWISE SPECIFIED.
- △ 4. ALL POWER DISTRIBUTION MODULES AND EXTENDER CABLES ARE NOT PART OF THIS SKU AND ARE ORDERED SEPARATELY.
5. SOME STRUCTURAL DETAILS HAVE BEEN OMITTED FOR THE PURPOSE OF CLARITY.

THIS DRAWING AND SPECIFICATIONS HEREIN ARE THE PROPERTY OF SCHNEIDER ELECTRIC AND SHALL NOT BE COPIED, REPRODUCED OR USED IN WHOLE OR IN PART, AS THE BASIS FOR THE MANUFACTURE OR SALE OF ITEMS WITHOUT WRITTEN PERMISSION FROM SCHNEIDER ELECTRIC. THIS DRAWING IS BASED UPON LATEST AVAILABLE INFORMATION AND IS SUBJECT TO CHANGE WITHOUT NOTICE.

**Schneider Electric**

TITLE: MODULAR POWER DISTRIBUTION UNIT WITH AUTO-TRANSFORMER  
 Input: 480V, 3PH, 60Hz  
 Output: 415V/230V  
 INTERNAL VIEW

PROJECT: DRAWINGS SHEET 7 OF 10

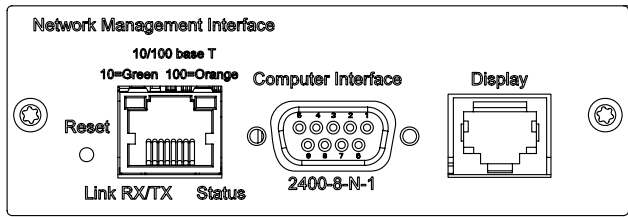
DWG NO: PDPM288G6H REV. 0

DRAWN BY: SURAJ P 13-MAR-12

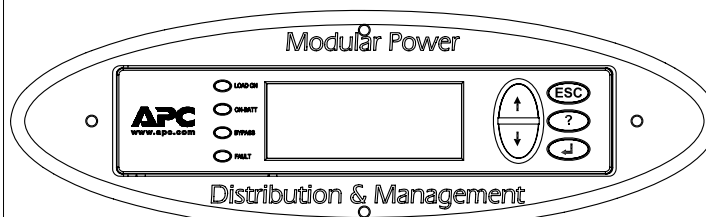
ENGINEER: M.UHRAN 19-MAR-12

APPROVED BY: B.SHERIDAN 19-MAR-12

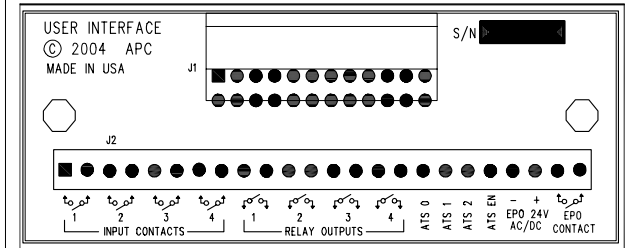
THIRD ANGLE PROJECTION



DETAIL-D

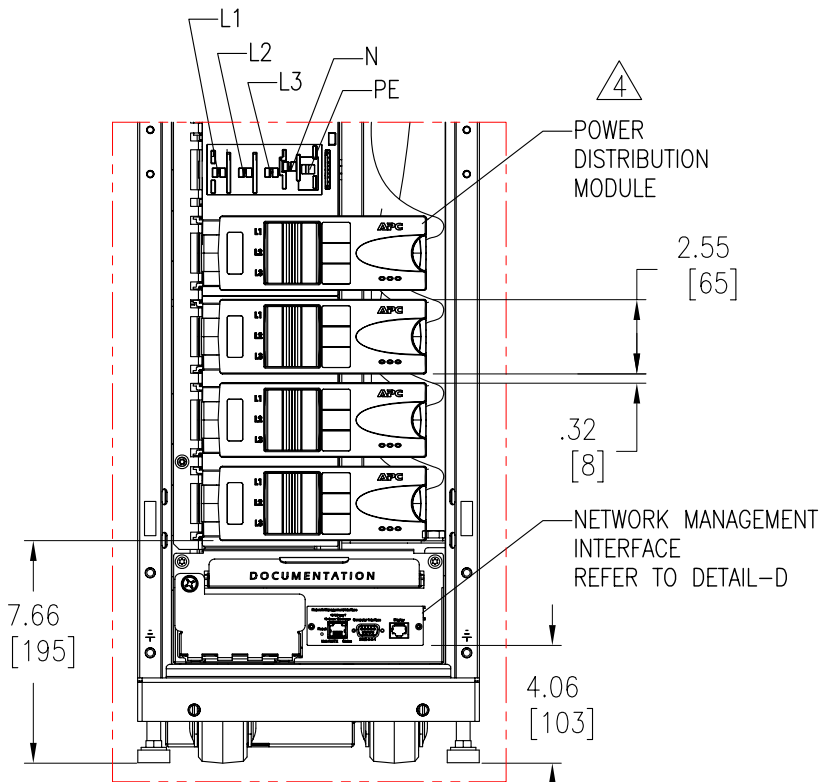


DETAIL-A

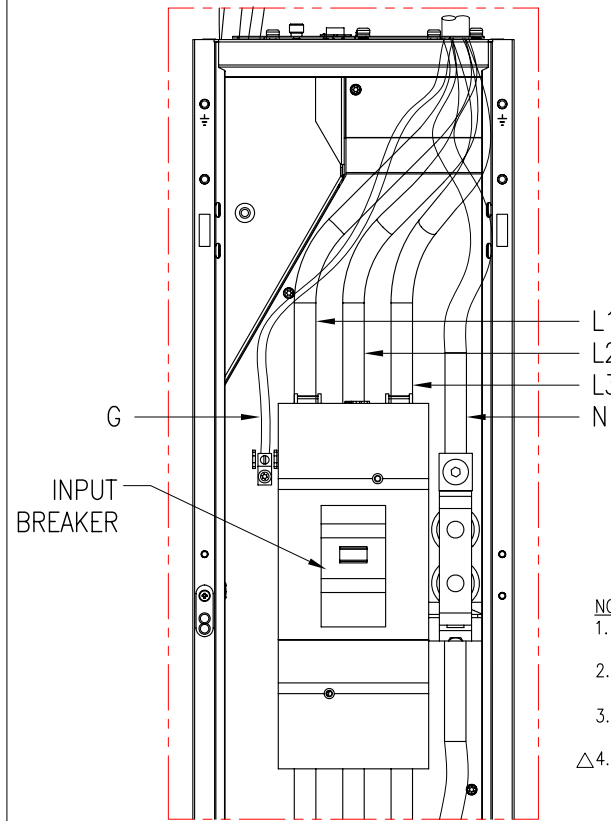


NOTE: MAKE CONNECTIONS TO APPROPRIATELY LABELED TERMINALS ON THE INTERFACE BOARD

USER INTERFACE BOARD



DETAIL-B



DETAIL-C

- NOTES:
1. INSTALLATION SHALL COMPLY WITH ALL APPLICABLE NATIONAL, STATE AND LOCAL CODES.
  2. PLEASE REFER TO PRODUCT MANUALS PRIOR TO INSTALLATION AND SITE PREPARATION WORK FOR FURTHER DETAILS.
  3. ALL DIMENSIONS ARE IN INCHES [MILLIMETERS], UNLESS OTHERWISE SPECIFIED.
  4. ALL POWER DISTRIBUTION MODULES AND EXTENDER CABLES ARE NOT PART OF THIS SKU AND ARE ORDERED SEPARATELY.

THIS DRAWING AND SPECIFICATIONS HEREIN ARE THE PROPERTY OF SCHNEIDER ELECTRIC AND SHALL NOT BE COPIED, REPRODUCED OR USED IN WHOLE OR IN PART, AS THE BASIS FOR THE MANUFACTURE OR SALE OF ITEMS WITHOUT WRITTEN PERMISSION FROM SCHNEIDER ELECTRIC. THIS DRAWING IS BASED UPON LATEST AVAILABLE INFORMATION AND IS SUBJECT TO CHANGE WITHOUT NOTICE.

**Schneider Electric**

TITLE: MODULAR POWER DISTRIBUTION UNIT WITH AUTO-TRANSFORMER  
Input: 480V, 3PH, 60Hz  
Output: 415V/230V  
INTERNAL DETAILS, USER INTERFACE & NMC  
PROJECT: DRAWINGS SHEET 8 OF 10

DWG NO: PDPM288G6H  
DRAWN BY: SURAJ P 13-MAR-12  
ENGINEER: M.UHRAN 19-MAR-12  
APPROVED BY: B.SHERIDAN 19-MAR-12

REV. 0  
THIRD ANGLE PROJECTION



<b>LEGEND:</b>	----- AC CABLE - PROVIDED BY OTHERS.
	———— AC BUS

PRODUCT RATING		
DEVICE	NOMINAL CURRENT	RATED SHORT CIRCUIT CURRENT
PDPM INPUT	320A	10ka SYMMETRICAL
PDPM OUTPUT	370A	10ka SYMMETRICAL

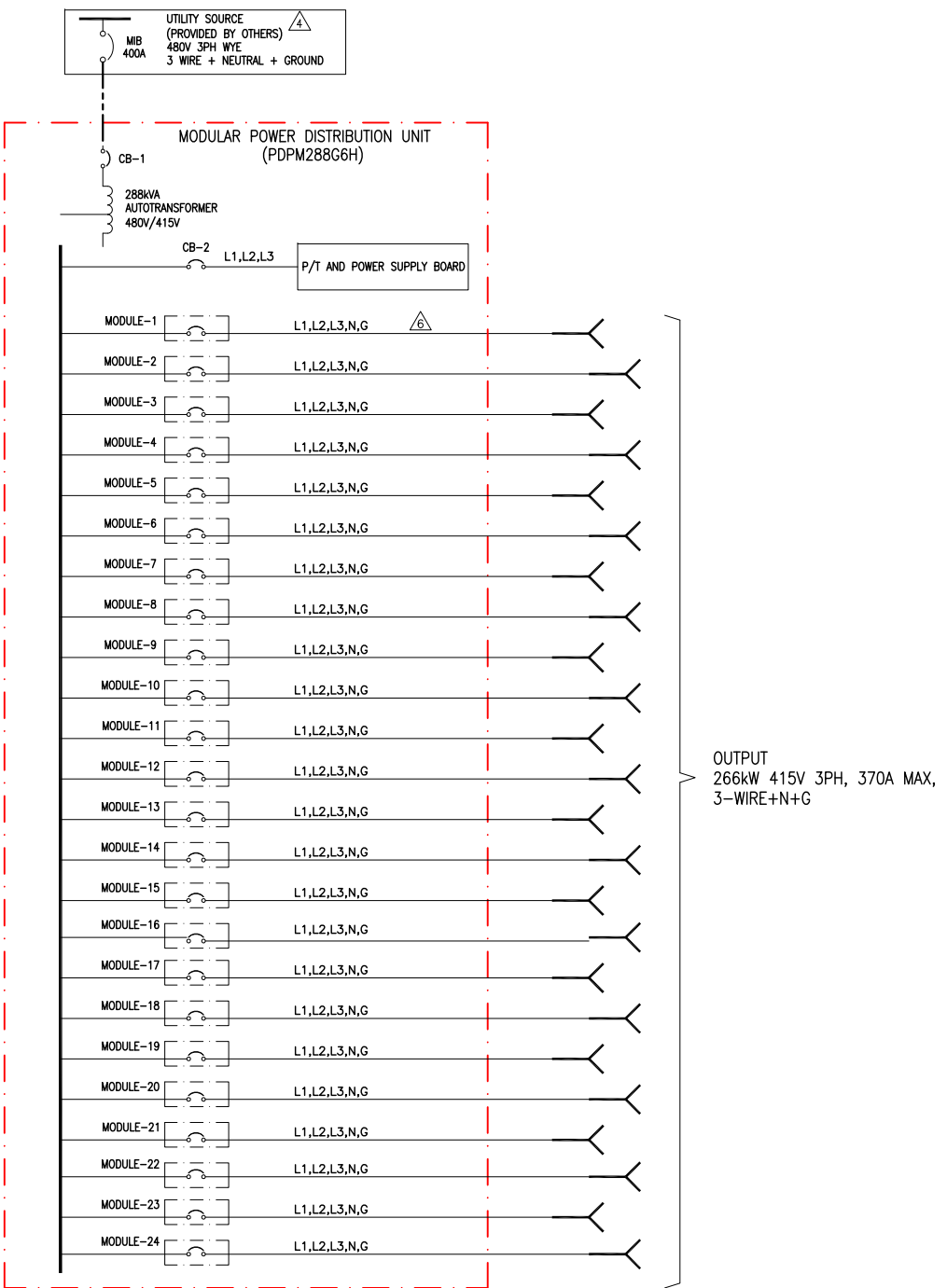
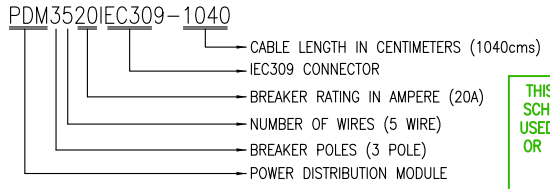
DISTRIBUTION DETAILS					
DEVICE ID	RATING	TYPE	MAKE	MODEL	RATED SHORT CIRCUIT CURRENT
CB-1	400A, 600V	3 POLE BREAKER	MERLIN GERIN	NJHL36400E20	65ka SYMMETRICAL
CB-2	4A/5A, 415V	3 POLE BREAKER	MERLIN GERIN	M9F53304/MGN61426	10ka SYMMETRICAL
MODULE-X	20A 240V	POWER DISTRIBUTION MODULE 3POLE BREAKER, 3PH 5WIRE CABLE WITH IEC-309 CONNECTOR	SCHNEIDER ELECTRIC	SEE NOTE 7	10ka SYMMETRICAL

- NOTES:**
- INSTALLATION SHALL COMPLY WITH ALL APPLICABLE NATIONAL, STATE AND LOCAL CODES.
  - PLEASE REFER TO PRODUCT MANUALS PRIOR TO INSTALLATION AND SITE PREPARATION WORK FOR FURTHER DETAILS.
  - DRAWING DEPICTS POWER SYSTEM CONNECTIONS AND IS NOT REPRESENTATIVE OF PHYSICAL LAYOUT, PLEASE REFER TO MECHANICAL DRAWINGS FOR PHYSICAL LAYOUT.
  - AC SOURCE TO BE 480VAC 3PH WYE 3 WIRE + NEUTRAL + GROUND (PROVIDED BY OTHERS).
  - ALL AC POWER CABLING TO BE 600V RATED, 3 WIRE + NEUTRAL + GROUND.
  - ALL POWER DISTRIBUTION MODULES ARE NOT PART OF THIS SKU AND ARE ORDERED SEPARATELY. PLEASE CONTACT SCHNEIDER ELECTRIC.
  - OPTIONS DETAILS:  
 MAXIMUM 24 MODULES PER SKU. SEE CHART WITH MODULE OPTIONS.  
 PLEASE CONTACT SCHNEIDER ELECTRIC FOR LATEST LIST OF MODULE OPTIONS.

**MODULE OPTIONS AND DETAILS**

**20A-3P BREKER, 20A-3PH PLUG WITH #12 AWG CABLE**

PDM3520IEC309-80
PDM3520IEC309-140
PDM3520IEC309-200
PDM3520IEC309-260
PDM3520IEC309-320
PDM3520IEC309-380
PDM3520IEC309-440
PDM3520IEC309-500
PDM3520IEC309-560
PDM3520IEC309-620
PDM3520IEC309-680
PDM3520IEC309-740
PDM3520IEC309-800
PDM3520IEC309-860
PDM3520IEC309-920
PDM3520IEC309-980
PDM3520IEC309-1040
PDM3520IEC309-1680



THIS DRAWING AND SPECIFICATIONS HEREIN ARE THE PROPERTY OF SCHNEIDER ELECTRIC AND SHALL NOT BE COPIED, REPRODUCED OR USED IN WHOLE OR IN PART, AS THE BASIS FOR THE MANUFACTURE OR SALE OF ITEMS WITHOUT WRITTEN PERMISSION FROM SCHNEIDER ELECTRIC. THIS DRAWING IS BASED UPON LATEST AVAILABLE INFORMATION AND IS SUBJECT TO CHANGE WITHOUT NOTICE.



**TITLE:** MODULAR POWER DISTRIBUTION UNIT WITH AUTO-TRANSFORMER  
 Input: 480V, 3PH, 60Hz  
 Output: 415V, 72 POLE, 3 POLE BREAKER MODULE SYSTEM ONLE LINE DIAGRAM

<b>DWG NO:</b> PDPM288G6H	<b>REV:</b> 1
<b>DRAWN BY:</b> SURAJ P	05-AUG-19
<b>ENGINEER:</b> M.WEISENBLOOM	05-AUG-19
<b>APPROVED BY:</b> B.SHERIDAN	05-AUG-19
<b>PROJECT:</b> DRAWINGS	<b>SHEET:</b> 9 OF 10
<b>ANGLE PROJECTION:</b>	NA

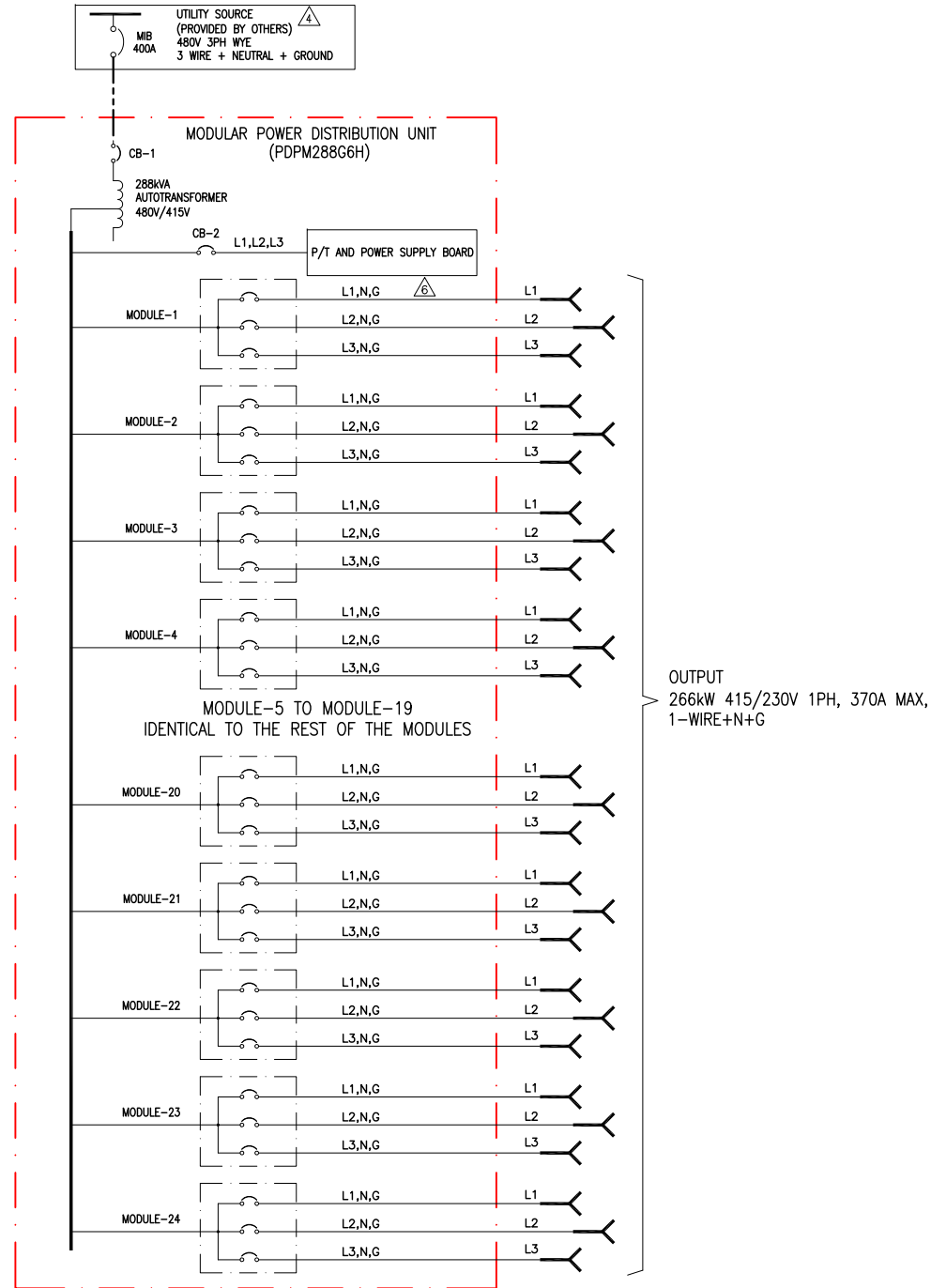
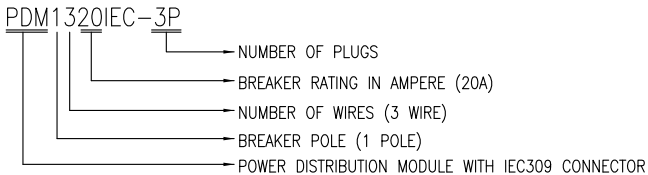
PRODUCT RATING		
DEVICE	NOMINAL CURRENT	RATED SHORT CIRCUIT CURRENT
PDPM INPUT	320A	10kA SYMMETRICAL
PDPM OUTPUT	370A	10kA SYMMETRICAL

DISTRIBUTION DETAILS					
DEVICE ID	RATING	TYPE	MAKE	MODEL	RATED SHORT CIRCUIT CURRENT
CB-1	400A, 600V	3 POLE BREAKER	MERLIN GERIN	NJHL36400E20	65kA SYMMETRICAL
CB-2	4A/5A, 415V	3 POLE BREAKER	MERLIN GERIN	M9F53304/MGN61426	10kA SYMMETRICAL
MODULE-X	20A 240V	POWER DISTRIBUTION MODULE 3-1POLE BREAKER, 3-1PH 3WIRE CABLE WITH IEC-309 CONNECTOR	SCHNEIDER ELECTRIC	SEE NOTE 7	10kA SYMMETRICAL

**LEGEND:**  
 - - - - - AC CABLE - PROVIDED BY OTHERS.  
 \_\_\_\_\_ AC BUS

- NOTES:**
- INSTALLATION SHALL COMPLY WITH ALL APPLICABLE NATIONAL, STATE AND LOCAL CODES.
  - PLEASE REFER TO PRODUCT MANUALS PRIOR TO INSTALLATION AND SITE PREPARATION WORK FOR FURTHER DETAILS.
  - DRAWING DEPICTS POWER SYSTEM CONNECTIONS AND IS NOT REPRESENTATIVE OF PHYSICAL LAYOUT, PLEASE REFER TO MECHANICAL DRAWINGS FOR PHYSICAL LAYOUT.
  - AC SOURCE TO BE 480VAC 3PH WYE 3 WIRE + NEUTRAL + GROUND (CONTACT SCHNEIDER ELECTRIC IF OTHER).  
FOR OTHER EARTHING PRINCIPLES, PLEASE CONTACT SCHNEIDER ELECTRIC. RECOMMENDED UPSTREAM PROTECTION IS A MINIMUM RATING TO SUPPORT MAXIMUM CURRENT WITHOUT SELECTIVITY. IF SELECTIVITY IS REQUIRED, PLEASE CONTACT SCHNEIDER ELECTRIC.
  - ALL AC POWER CABLING TO BE 600V RATED, 3 WIRE + NEUTRAL + GROUND.
  - ALL POWER DISTRIBUTION MODULES ARE NOT PART OF THIS SKU AND ARE ORDERED SEPARATELY. PLEASE CONTACT SCHNEIDER ELECTRIC.
  - OPTIONS DETAILS:  
MAXIMUM 24 MODULES PER SKU. SEE CHART WITH MODULE OPTIONS.  
PLEASE CONTACT SCHNEIDER ELECTRIC FOR LATEST LIST OF MODULE OPTIONS.

MODULE OPTIONS AND DETAILS	Cable length in Centimeters /Phase	IEC309Plug Specification	Cable specification
PDM1320IEC-3P-1	260/L1, 380/L2 & 500/L3	20A-1PH 3 WIRE	#12 AWG
PDM1320IEC-3P-2	680/L1, 860/L2 & 1040/L3	20A-1PH 3 WIRE	#12 AWG
PDM1320IEC-3P-3	1680/L1, 1680/L2 & 1680/L3	20A-1PH 3 WIRE	#12 AWG



THIS DRAWING AND SPECIFICATIONS HEREIN ARE THE PROPERTY OF SCHNEIDER ELECTRIC AND SHALL NOT BE COPIED, REPRODUCED OR USED IN WHOLE OR IN PART, AS THE BASIS FOR THE MANUFACTURE OR SALE OF ITEMS WITHOUT WRITTEN PERMISSION FROM SCHNEIDER ELECTRIC. THIS DRAWING IS BASED UPON LATEST AVAILABLE INFORMATION AND IS SUBJECT TO CHANGE WITHOUT NOTICE.



**TITLE:** MODULAR POWER DISTRIBUTION UNIT WITH AUTO-TRANSFORMER  
 Input: 480V, 3PH, 60Hz  
 Output: 415V/230V, 72 POLE, 1POLE BREAKER MODULE  
 SYSTEM ONLE LINE DIAGRAM

**PROJECT:** DRAWINGS **SHEET** 10 OF 10

**DWG NO:** PDPM288G6H **REV.** 1

**DRAWN BY:** SURAJ P **05-AUG-19** **ANGLE**

**ENGINEER:** M.WEISENBLOOM **05-AUG-19** **PROJECTION**

**APPROVED BY:** B.SHERIDAN **05-AUG-19** **NA**