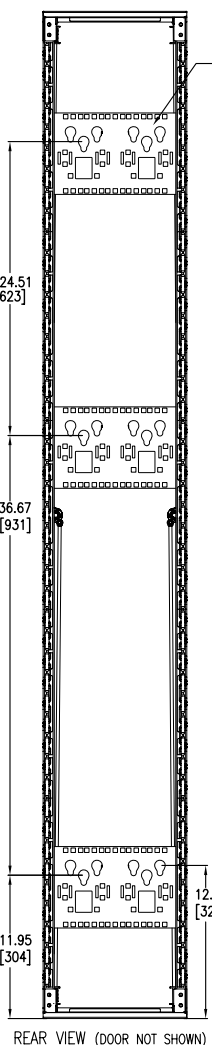
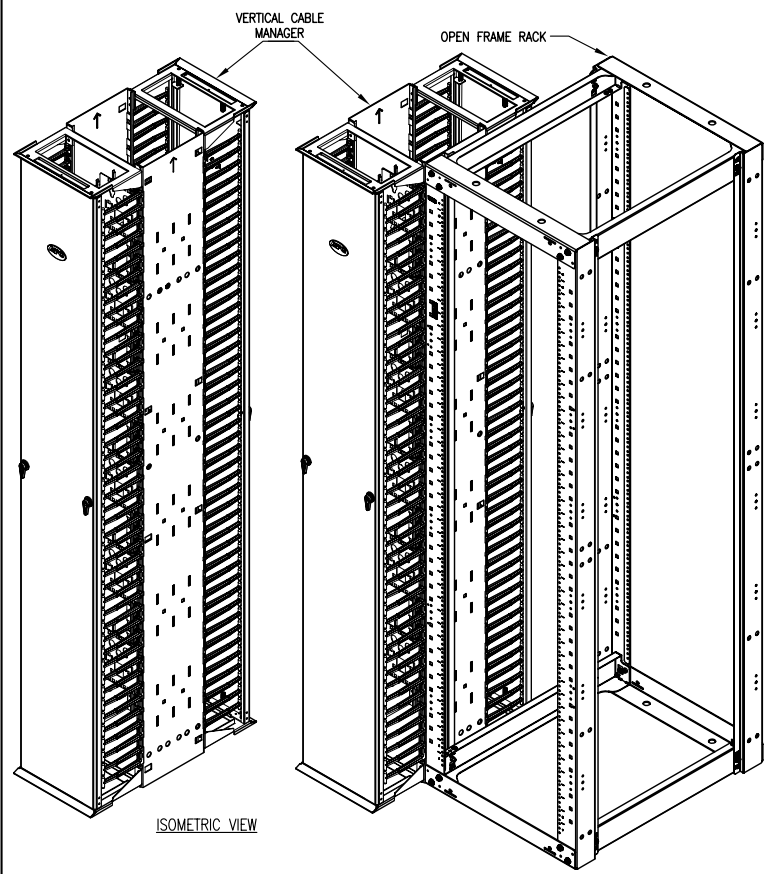
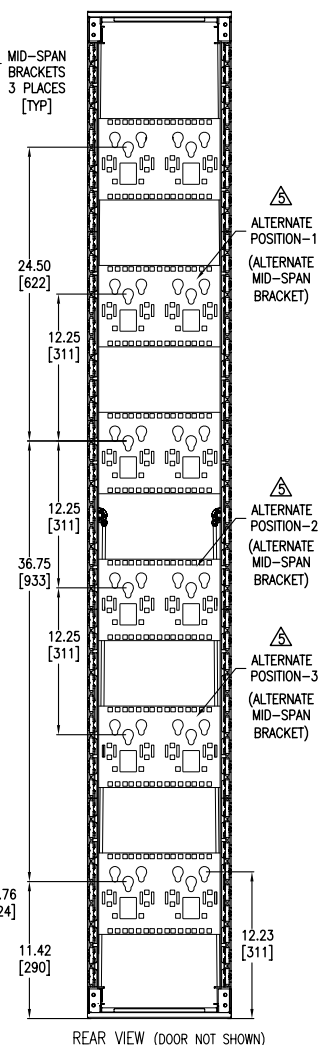


FACTORY CONFIGURATION



ALTERNATE CONFIGURATION



- NOTES:
1. INSTALLATION SHALL COMPLY WITH ALL APPLICABLE NATIONAL, STATE AND LOCAL CODES.
 2. PLEASE REFER TO PRODUCT MANUALS FOR ADDITIONAL DETAILS.
 3. ALL DIMENSIONS ARE IN INCHES [MILLIMETERS].
 4. WEIGHT OF THE UNIT IS 79.86 lbs [36.30 kg].
 - △ 5. ALTERNATE MID-SPAN BRACKETS SHOWN FOR IDENTIFYING ALTERNATE MOUNTING POSITIONS ONLY. ADDITIONAL MID-SPAN BRACKETS ARE SOLD SEPARATELY.

THIS DRAWING AND SPECIFICATIONS HEREIN ARE THE PROPERTY OF SCHNEIDER ELECTRIC AND SHALL NOT BE COPIED, REPRODUCED OR USED IN WHOLE OR IN PART, AS THE BASIS FOR THE MANUFACTURE OR SALE OF ITEMS WITHOUT WRITTEN PERMISSION FROM SCHNEIDER ELECTRIC. THIS DRAWING IS BASED UPON LATEST AVAILABLE INFORMATION AND IS SUBJECT TO CHANGE WITHOUT NOTICE.



TITLE:
PERFORMANCE, VERTICAL CABLE MANAGER
FOR 2 & 4 POST RACKS, 84"H x 12"W
DOUBLE SIDED WITH DOORS
MECHANICAL LAYOUT

PROJECT: SUBMITTAL DRAWINGS SHEET 1 OF 1

| | | | | |
|--------------|---------------|-----------|------------|-------|
| DWG NO: | AR8675 | | REV.: | - |
| DRAWN BY: | JAYAPRAKASH | 02-JAN-12 | THIRD | ANGLE |
| ENGINEER: | PETER FISCHER | 11-JAN-12 | PROJECTION | |
| APPROVED BY: | SCOTT VOCCIO | 11-JAN-12 | | |