

NOTES:

1. INSTALLATION SHALL COMPLY WITH ALL APPLICABLE NATIONAL, STATE AND LOCAL CODES.
2. PLEASE REFER TO PRODUCT MANUALS FOR ADDITIONAL DETAILS.
3. UNLESS OTHERWISE SPECIFIED, ALL DIMENSIONS ARE IN MILLIMETERS [INCHES].
4. NET WEIGHT OF UNIT IS 119.55 kg [263 LBS].
5. CABLE ENTRY IS TOP OR BOTTOM OF THE UNIT.
6. FRONT AND REAR SERVICE ACCESS IS REQUIRED.
7. AIR FLOW AND SERVICE REQUIREMENTS AS WELL AS MINIMUM CLEARANCE TO FIRE SUPPRESSION SYSTEMS SHOULD BE CONSIDERED WHEN LOCATING THE ENCLOSURE.

THIS DRAWING AND SPECIFICATIONS HEREIN ARE THE PROPERTY OF SCHNEIDER ELECTRIC AND SHALL NOT BE COPIED, REPRODUCED OR USED IN WHOLE OR IN PART, AS THE BASIS FOR THE MANUFACTURE OR SALE OF ITEMS WITHOUT WRITTEN PERMISSION FROM SCHNEIDER ELECTRIC. THIS DRAWING IS BASED UPON LATEST AVAILABLE INFORMATION AND IS SUBJECT TO CHANGE WITHOUT NOTICE.



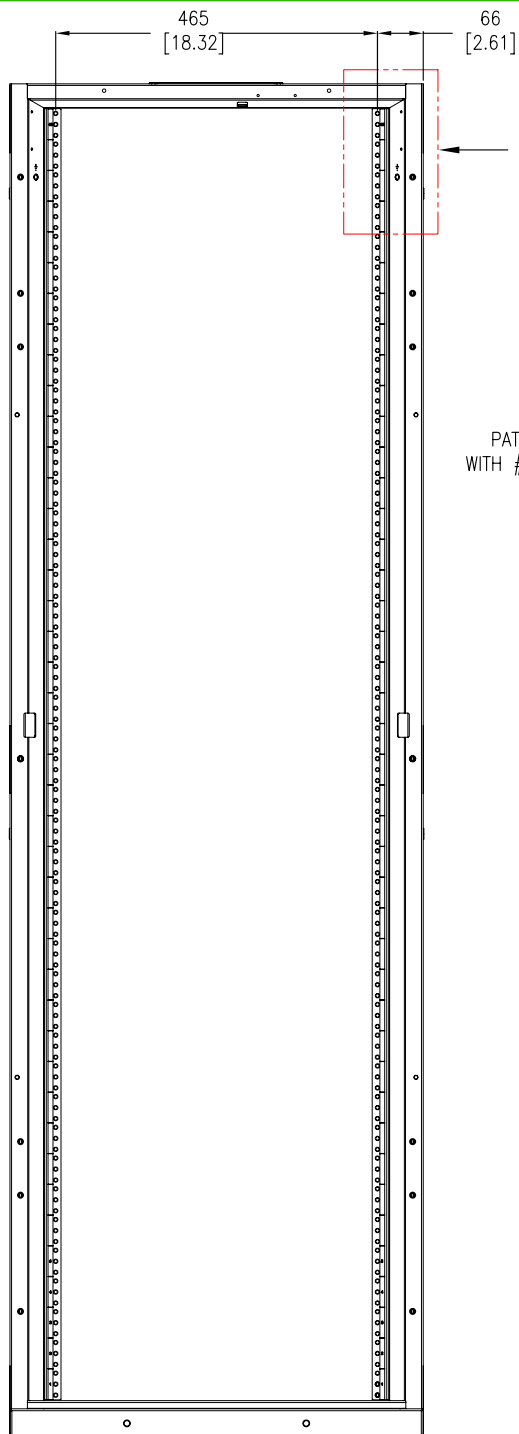
TITLE:
NetShelter AV 42U
ENCLOSURE WITH SIDES AND 10-32 THREADED RAILS
600mm WIDE X 825mm DEEP
MAIN MECHANICAL

PROJECT: SUBMITTAL DRAWINGS | SHEET 1 OF 4

DWG NO: AR3810

DRAWN BY: JAYAPRAKASH 29-APR-10
ENGINEER: J.BERGESCH 30-APR-10
APPROVED BY: B.SHERIDAN/F.DIOSA 30-APR-10

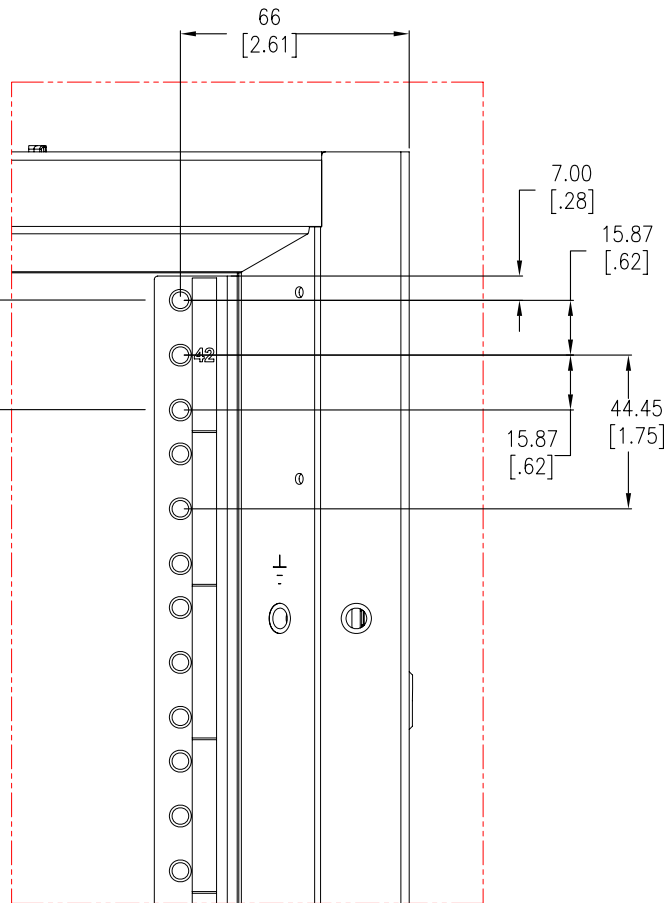
REV. 0
THIRD ANGLE PROJECTION



FRONT VIEW
(WITHOUT FRONT & REAR DOORS)

REFER TO
VIEW-C
FOR DETAILS

PATTERN OF 3 HOLES
WITH #10-32 PEM NUTS
(42 PLACES)

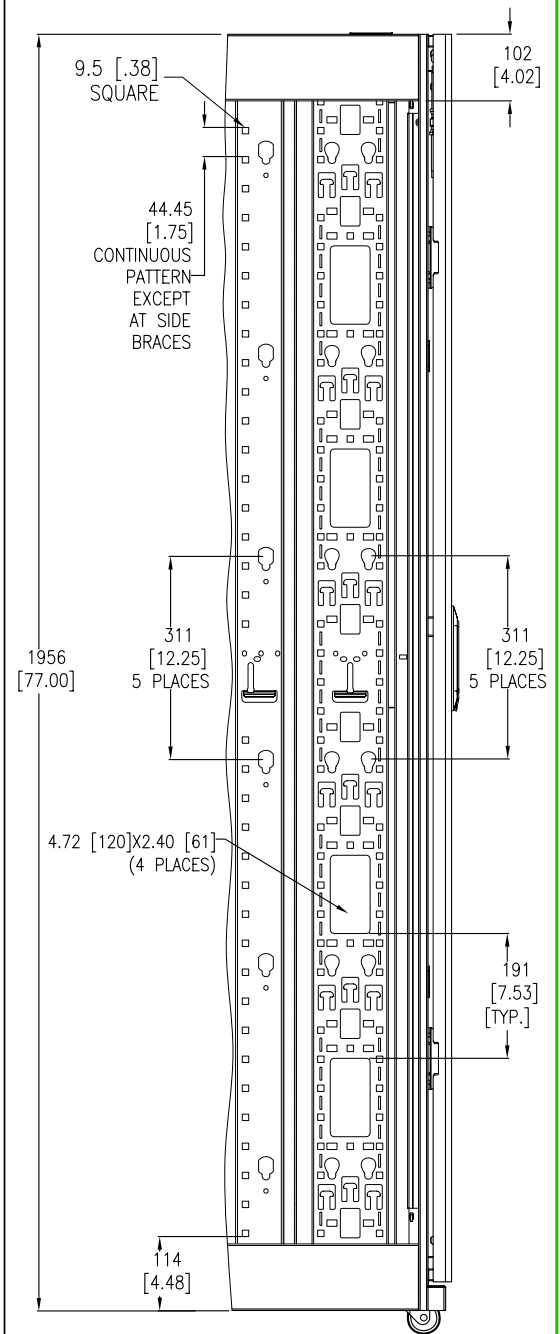


DETAIL-C
(ENLARGED VIEW)

NOTES:

1. INSTALLATION SHALL COMPLY WITH ALL APPLICABLE NATIONAL, STATE AND LOCAL CODES.
2. PLEASE REFER TO PRODUCT MANUALS FOR ADDITIONAL DETAILS.
3. UNLESS OTHERWISE SPECIFIED, ALL DIMENSIONS ARE IN MILLIMETERS [INCHES].

THIS DRAWING AND SPECIFICATIONS HEREIN ARE THE PROPERTY OF SCHNEIDER ELECTRIC AND SHALL NOT BE COPIED, REPRODUCED OR USED IN WHOLE OR IN PART, AS THE BASIS FOR THE MANUFACTURE OR SALE OF ITEMS WITHOUT WRITTEN PERMISSION FROM SCHNEIDER ELECTRIC. THIS DRAWING IS BASED UPON LATEST AVAILABLE INFORMATION AND IS SUBJECT TO CHANGE WITHOUT NOTICE.



DETAIL-B
(ENLARGED VIEW)

TITLE:
NetShelter AV 42U
ENCLOSURE WITH SIDES AND 10-32 THREADED RAILS
600mm WIDE X 825mm DEEP
MOUNTING DETAILS

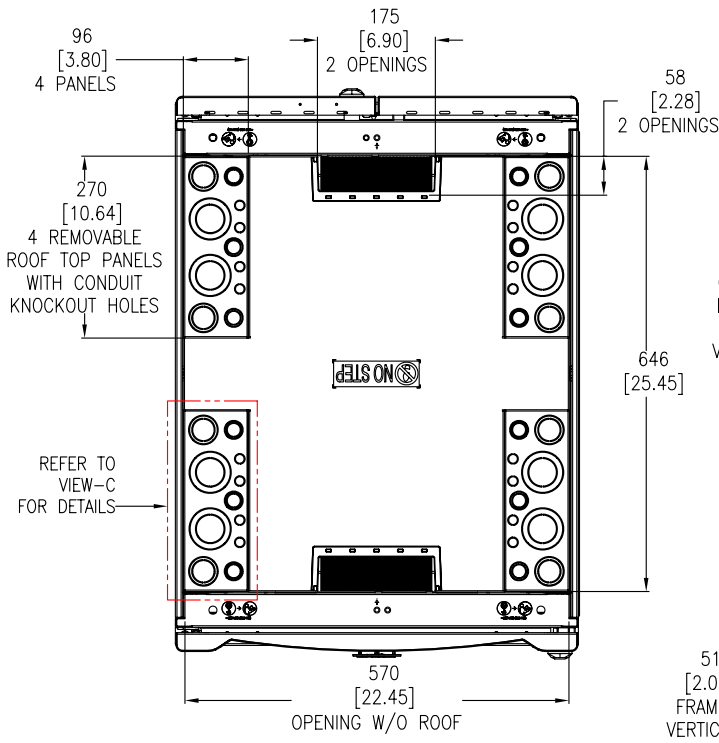
DWG NO:
AR3810

DRAWN BY: JAYAPRAKASH 29-APR-10
ENGINEER: J.BERGESCH 30-APR-10

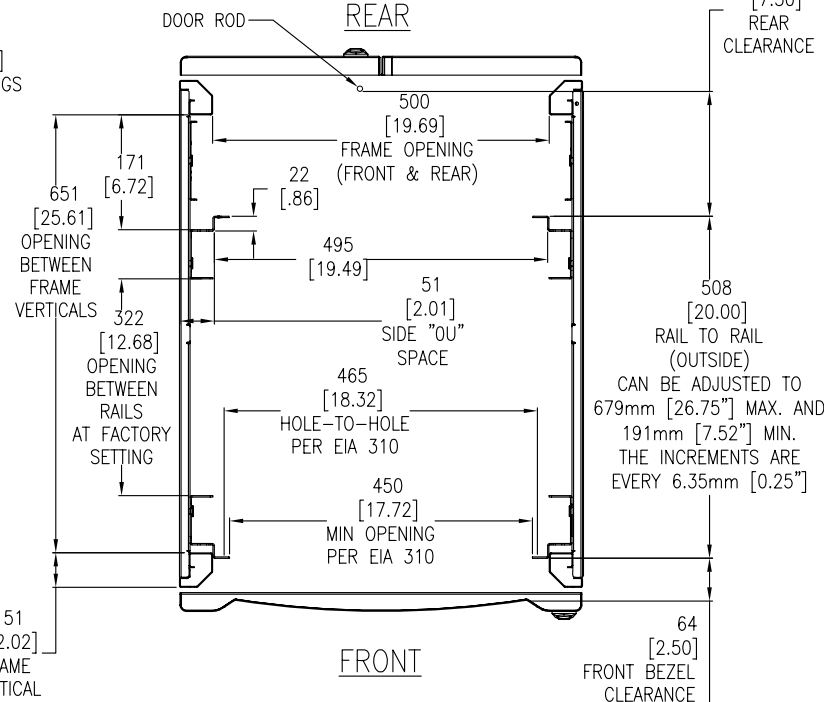
REV: 0
THIRD
ANGLE
PROJECTION

PROJECT: SUBMITTAL DRAWINGS SHEET 2 OF 4

APPROVED BY: B.SHERIDAN/F.DIOSA 30-APR-10

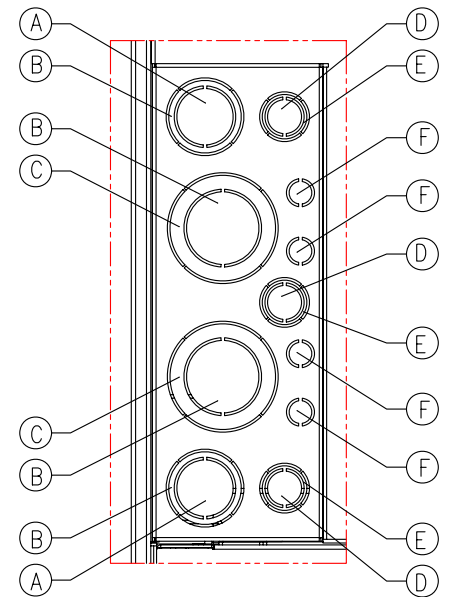


TOP VIEW



FRONT

SECTION A-A
(VIEW FROM INSIDE CABINET,
LOOKING DOWN)



DETAIL-C
(ENLARGED VIEW)

KNOCK OUT	QUANTITY	NOMINAL CONDUIT SIZE
A	2	1 INCH [25mm]
B	4	1.25 INCH [32mm]
C	2	2 INCH [51mm]
D	3	0.5 INCH [13mm]
E	3	0.75 INCH [19mm]
F	4	0.625 INCH [15.9mm] (Actual Size)

- NOTES:
1. INSTALLATION SHALL COMPLY WITH ALL APPLICABLE NATIONAL, STATE AND LOCAL CODES.
 2. PLEASE REFER TO PRODUCT MANUALS FOR ADDITIONAL DETAILS.
 3. UNLESS OTHERWISE SPECIFIED, ALL DIMENSIONS ARE IN MILLIMETERS [INCHES].

THIS DRAWING AND SPECIFICATIONS HEREIN ARE THE PROPERTY OF SCHNEIDER ELECTRIC AND SHALL NOT BE COPIED, REPRODUCED OR USED IN WHOLE OR IN PART, AS THE BASIS FOR THE MANUFACTURE OR SALE OF ITEMS WITHOUT WRITTEN PERMISSION FROM SCHNEIDER ELECTRIC. THIS DRAWING IS BASED UPON LATEST AVAILABLE INFORMATION AND IS SUBJECT TO CHANGE WITHOUT NOTICE.



TITLE:
NetShelter AV 42U
ENCLOSURE WITH SIDES AND 10-32 THREADED RAILS
600mm WIDE X 825mm DEEP
TOP & SECTION VIEW

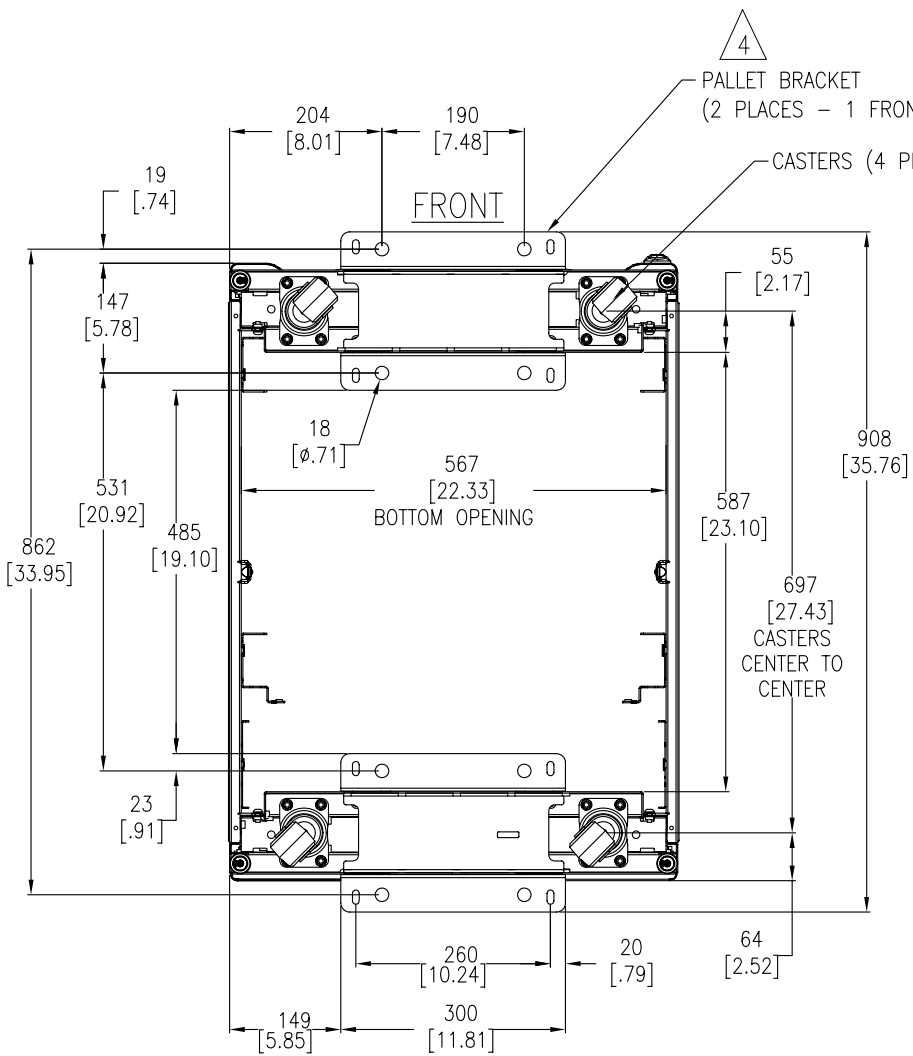
PROJECT: SUBMITTAL DRAWINGS | SHEET 3 OF 4

DWG NO: AR3810 | REV. 1

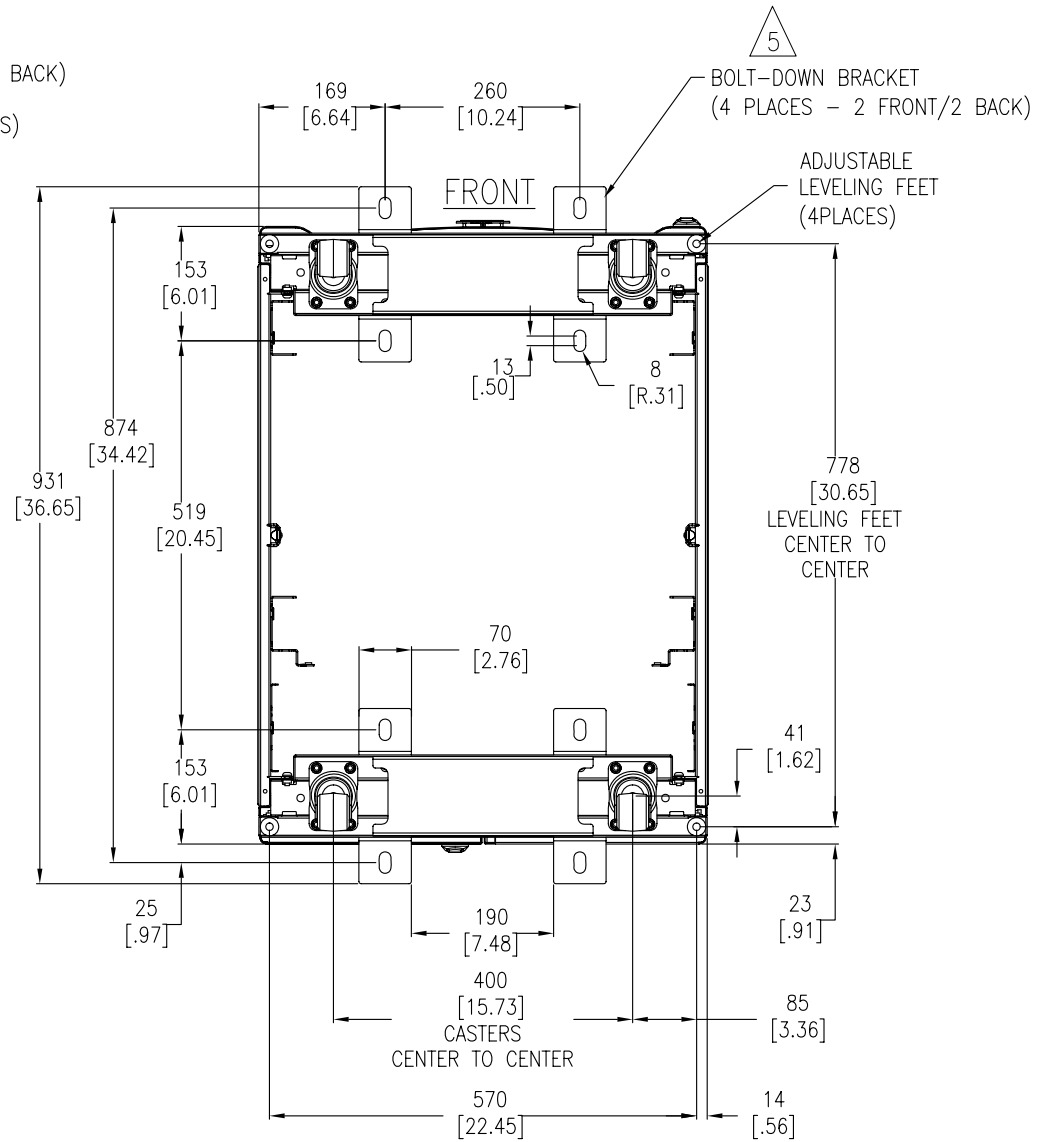
DRAWN BY: JAYAPRAKASH | 13-MAY-10 | THIRD ANGLE PROJECTION

ENGINEER: J.BERGESCH | 13-MAY-10

APPROVED BY: B.SHERIDAN/F.DIOSA | 13-MAY-10



BOTTOM VIEW
(WITH PALLET BRACKETS
(CAN BE USED FOR ANCHORING))



BOTTOM VIEW
(WITH OPTIONAL BOLT-DOWN BRACKETS
FOR ANCHORING)

NOTES:

1. INSTALLATION SHALL COMPLY WITH ALL APPLICABLE NATIONAL, STATE AND LOCAL CODES.
2. PLEASE REFER TO PRODUCT MANUALS FOR ADDITIONAL DETAILS.
3. UNLESS OTHERWISE SPECIFIED, ALL DIMENSIONS ARE IN MILLIMETERS [INCHES].

- △ 4. ANCHORING CAN BE INSTALLED EITHER INSIDE OR OUTSIDE THE NetShelter WITH ONE BRACKET AT FRONT AND ONE IN BACK.
- △ 5. BOLT-DOWN KIT (SKU# AR7701) IS OPTIONAL AND MUST BE ORDERED SEPERATELY.

THIS DRAWING AND SPECIFICATIONS HEREIN ARE THE PROPERTY OF SCHNEIDER ELECTRIC AND SHALL NOT BE COPIED, REPRODUCED OR USED IN WHOLE OR IN PART, AS THE BASIS FOR THE MANUFACTURE OR SALE OF ITEMS WITHOUT WRITTEN PERMISSION FROM SCHNEIDER ELECTRIC. THIS DRAWING IS BASED UPON LATEST AVAILABLE INFORMATION AND IS SUBJECT TO CHANGE WITHOUT NOTICE.

Schneider Electric

TITLE:
NetShelter AV 42U
ENCLOSURE WITH SIDES AND 10-32 THREADED RAILS
600mm WIDE X 825mm DEEP
BOTTOM VIEWS

PROJECT: SUBMITTAL DRAWINGS | SHEET 4 OF 4

DWG NO: AR3810

REV: 0

DRAWN BY: JAYAPRAKASH 29-APR-10
ENGINEER: J.BERGESCH 30-APR-10
APPROVED BY: B.SHERIDAN/F.DIOSA 30-APR-10

THIRD ANGLE PROJECTION