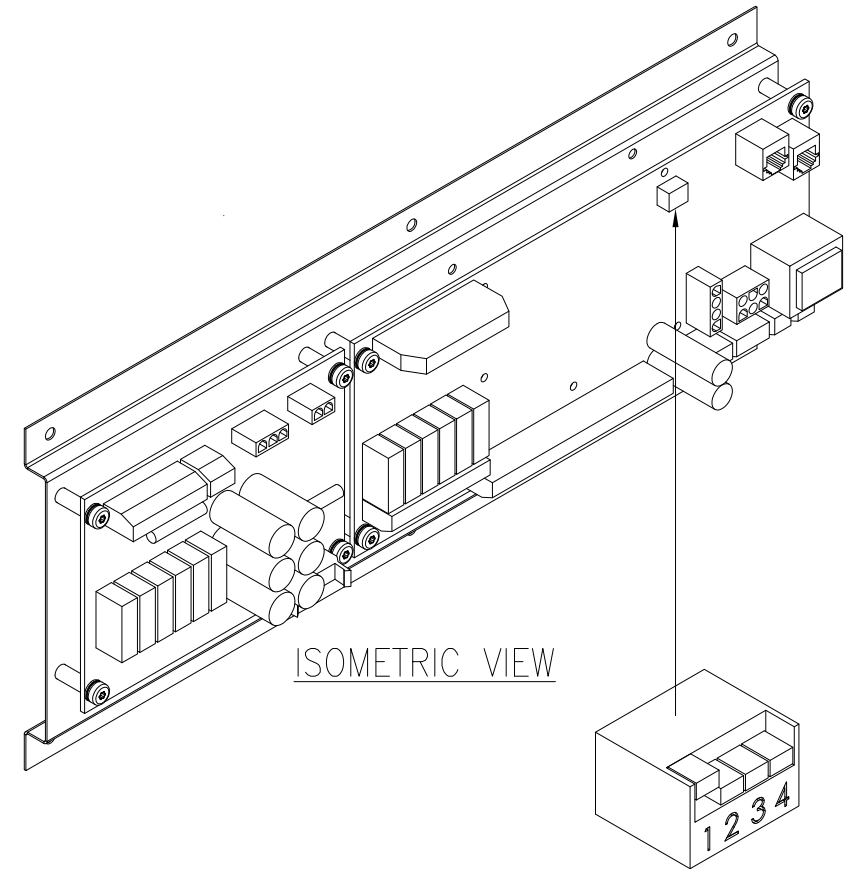
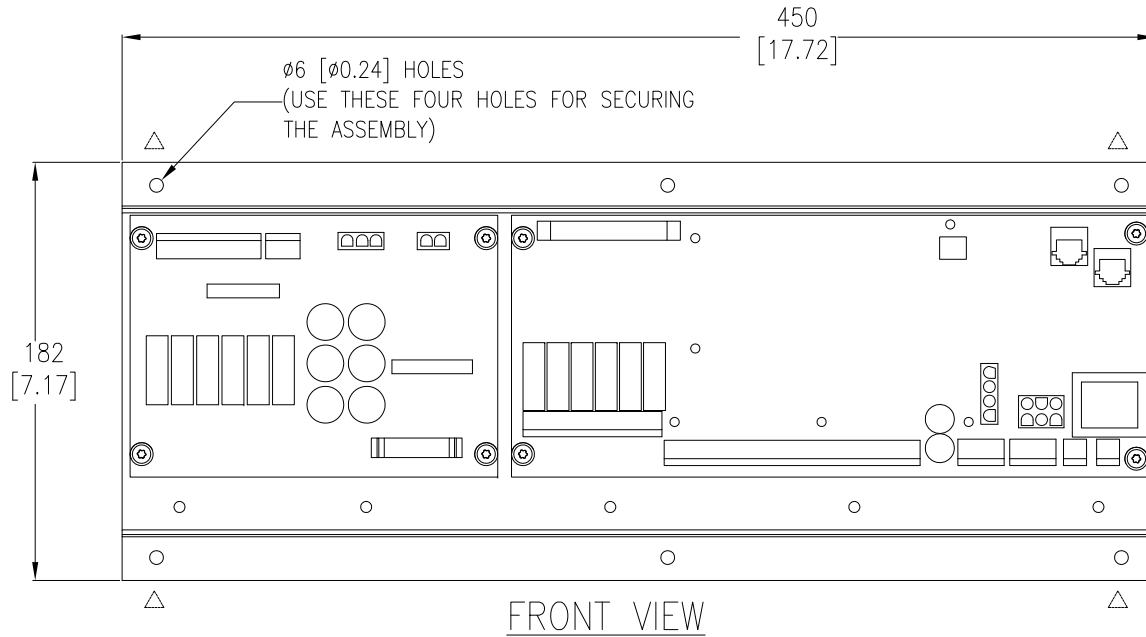


ANCILLARY MONITOR BOARD AND EPO CONNECTION TRIP BOARD ASSEMBLY INSTALLATION



AMB DIP SWITCH
ENLARGED VIEW

- △ • MARK THE HOLES IN A GROUNDED SURFACE IN THE MBP AND DRILL FOUR HOLES (5.5mm WHEN USING THE SUPPLIED NUTS OR 4.5mm WHEN USING THREADED NUTS) RECOMMENDED THICKNESS OF METAL IS 1 TO 1.5mm [0.039 TO 0.059 INCHES].
- SECURE THE ASSEMBLY WITH THE FOUR SUPPLIED M5 SCREWS AND NUTS.
- VERIFY THAT THE AMB DIP SWITCH IS CONFIGURED FOR USE IN A CUSTOMER SUPPLIED MBP (PIN 1 UP AND PINS 2-4 DOWN).
- INSTALL THE SUPPLIED CABLE TIES IN THE PREDRILLED HOLES AT THE BOTTOM OF THE ASSEMBLY FOR SECURING OF ALL SIGNAL WIRES.

- NOTES:**
1. INSTALLATION MUST COMPLY WITH ALL APPLICABLE NATIONAL, STATE AND LOCAL CODES.
 2. REFER TO [PRODUCT DOCUMENTATION](#) FOR ADDITIONAL DETAILS PRIOR TO INSTALLATION AND SITE PREPARATION WORK.
 3. UNLESS OTHERWISE SPECIFIED, ALL DIMENSIONS ARE IN MILLIMETERS [INCHES].

THIS DRAWING AND SPECIFICATIONS HEREIN ARE THE PROPERTY OF SCHNEIDER ELECTRIC AND SHALL NOT BE COPIED, REPRODUCED OR USED IN WHOLE OR IN PART, AS THE BASIS FOR THE MANUFACTURE OR SALE OF ITEMS WITHOUT WRITTEN PERMISSION FROM SCHNEIDER ELECTRIC. THIS DRAWING IS BASED UPON LATEST AVAILABLE INFORMATION AND IS SUBJECT TO CHANGE WITHOUT NOTICE.



TITLE:
SYMMETRA PX 250/500
THIRD PARTY SWITCH GEAR KIT
AMB & ECT BOARD ASSEMBLY INSTALLATION

PROJECT: SUBMITTAL DRAWINGS SHEET 1 OF 3

DWG NO: SYOPT007

DRAWN: BALAMURUGAN	15-FEB-13
ENGINEER: T.MULLER/F.JOHANSEN	15-FEB-13
APPROVED: B.S/C.B/M.D	15-FEB-13

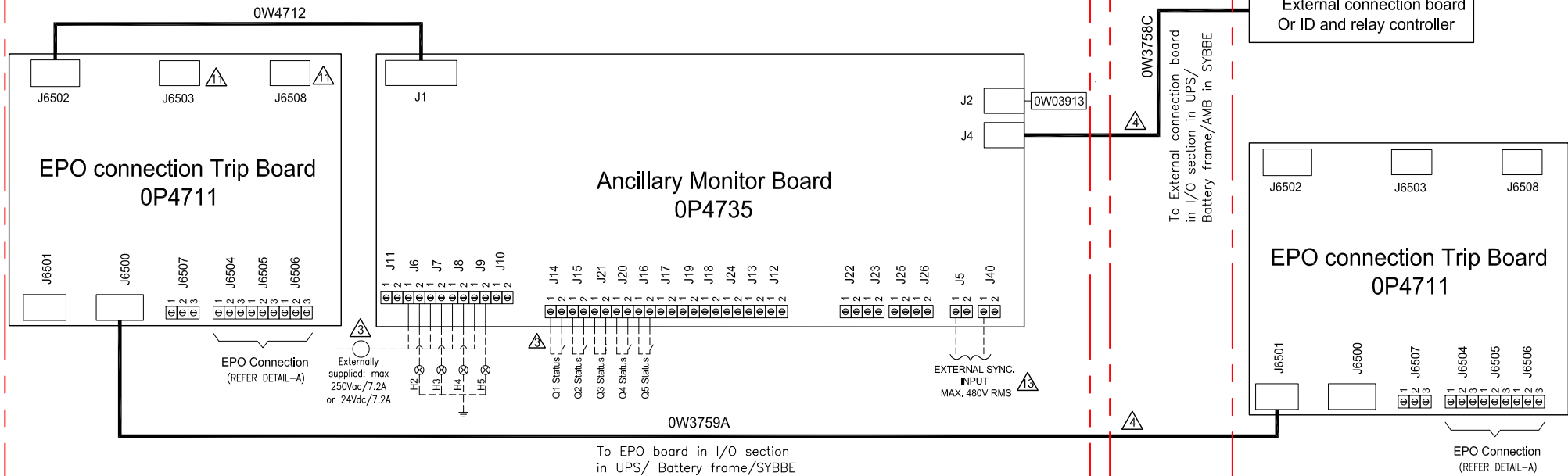
REV: 2

ANGLE PROJECTION
N.A

SINGLE UPS SYSTEM

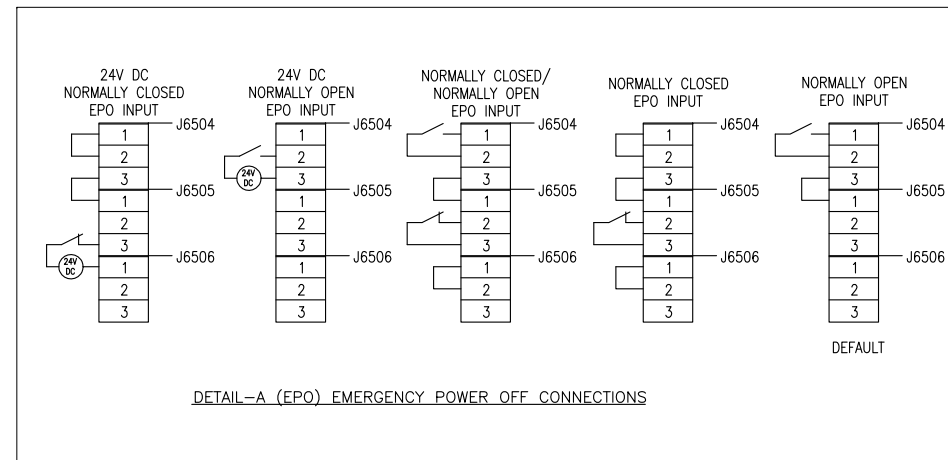
THIRD PARTY Maintenance Bypass Panel (MBP)

REMOTE SWITCHGEAR KIT - SYOPT007



NOTES

1. INSTALLATION MUST COMPLY WITH ALL APPLICABLE NATIONAL, STATE AND LOCAL CODES.
2. REFER TO PRODUCT DOCUMENTATION FOR ADDITIONAL DETAILS PRIOR TO INSTALLATION AND SITE PREPARATION WORK.
- △ 3. LIGHTS AND CONTACTS ARE FIELD WIRED
- △ 4. STANDARD CABLE LENGTH IS 50 METERS AND IS PART OF SKU SYOPT007.
5. INSTALL TERMINATOR 0W03913 IN THE J2 TERMINAL ON THE AMB.
6. CONNECT THE ABUS CABLE(0W3758C) FROM J4 ON THE AMB(0P4735) TO THE ABUS TERMINAL EXTERNAL CONNECTION BOARD OR ID AND RELAY CONTROLLER ON THE FRONT OF THE INPUT/OUTPUT ENCLOSURE.
7. CONNECT THE ECT CABLE(0W3759A) FROM J6500 ON THE ECT BOARD(0P4711) IN THE MBP TO J6501 ON THE ECT BOARD(0P4711) IN THE TOP OF THE INPUT/OUTPUT ENCLOSURE.
8. CONNECT A NORMALLY OPEN(NO) AUXILIARY SWITCH Q1,Q2,Q3,Q4,Q5 STATUS. Q1 IS MANDATORY AND Q2,Q4 AND Q5 ARE OPTIONAL DEPENDING ON INSTALLATION. IF THE INPUTS ARE NOT USED, JUMPERS MUST BE INSTALLED,
9. CONNECT NORMALLY CLOSED(NC) AUXILIARY FOR Q3 STATUS.
10. CONNECT H2 TO H5 LAMPS FOR PERMISSION TO OPERATE Q2 TO Q5 (MAX, 7.2A/250V AC).
- △ 11. CONNECT CABLE FOR Q2 TRIPPING TO EITHER:
 - A. J6503 (UVR). WHEN USING SQUARE D UVR OR ABB S8 UVR, AN EXTERNAL 24V DC SELV SUPPLY SHOULD BE CONNECTED TO J6507. FOR THE UVR, THE FOLLOWING PARTS ARE NEEDED TO CONNECT TO J6503 PIN2 AND PIN3: 1 TYCO 1-48700-0, M&L 3-POSITION PLUG HOUSING AND 2 TYCO 350218-3 M&L PIN, AWG 20-14 (NOT SUPPLIED).
 - B. J6508 (SOR). FOR THE SOR SHUNT TRIP, THE FOLLOWING PARTS ARE NEEDED TO CONNECT TO J6508: 1 TYCO 1-480698-0. M&L 2-POSITION PLUG HOUSING AND 2 TYCO 350218-3 M&L PIN, AWG 20-14 (NOT SUPPLIED).
12. CONNECT CONTACT FOR DOOR OPEN/CLOSE. IF THE INPUT IS NOT USED, JUMPERS MUST BE INSTALLED.
- △ 13. OPTION: CONNECT EXTERNAL SYNCHRONIZATION CABLES FROM L1 AND L2 OF THE PREFERRED AC SOURCE TO J5(L1) AND J40(L2).
14. INSTALL 1A FUSE ON EACH PHASE ON THE EXTERNAL SYNC CABLE AT THE SYNC SOURCE.



THIS DRAWING AND SPECIFICATIONS HEREIN ARE THE PROPERTY OF SCHNEIDER ELECTRIC AND SHALL NOT BE COPIED, REPRODUCED OR USED IN WHOLE OR IN PART, AS THE BASIS FOR THE MANUFACTURE OR SALE OF ITEMS WITHOUT WRITTEN PERMISSION FROM SCHNEIDER ELECTRIC. THIS DRAWING IS BASED UPON LATEST AVAILABLE INFORMATION AND IS SUBJECT TO CHANGE WITHOUT NOTICE.



TITLE:

SYMMETRA PX 250/500
THIRD PARTY SWITCH GEAR KIT
REMOTE SWITCH GEAR CONNECTIONS
SINGLE UPS CONNECTION

PROJECT: SUBMITTAL DRAWINGS SHEET 2 OF 3

DWG NO:

SYOPT007

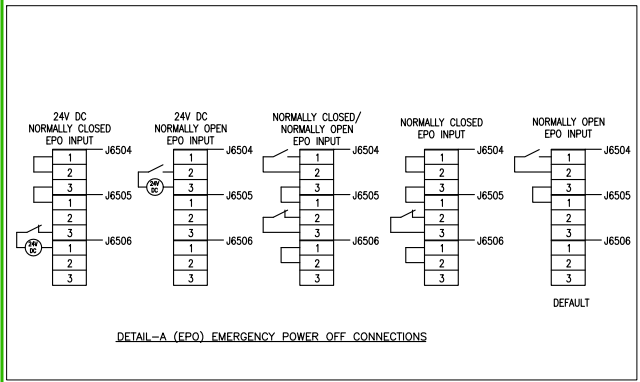
DRAWN: BALAMURUGAN
ENGINEER: T.MULLER/F.JOHANSEN
APPROVED: B.S/C.B/M.D

REV:

3

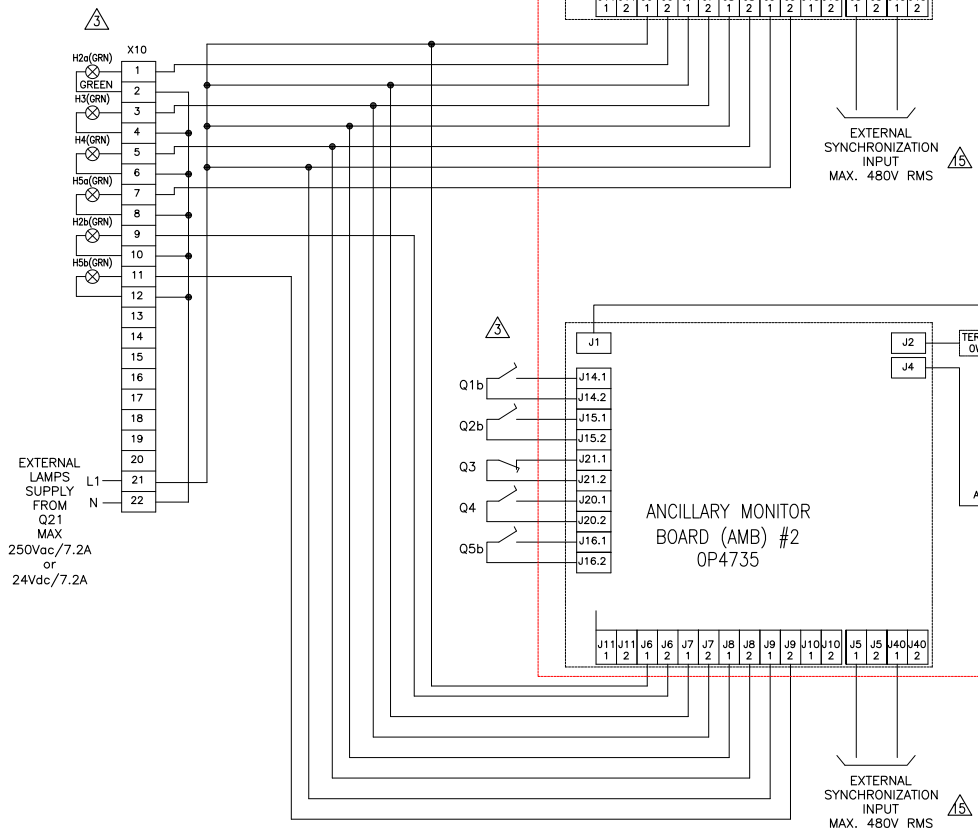
ANGLE PROJECTION
N.A

15-FEB-13
15-FEB-13
15-FEB-13

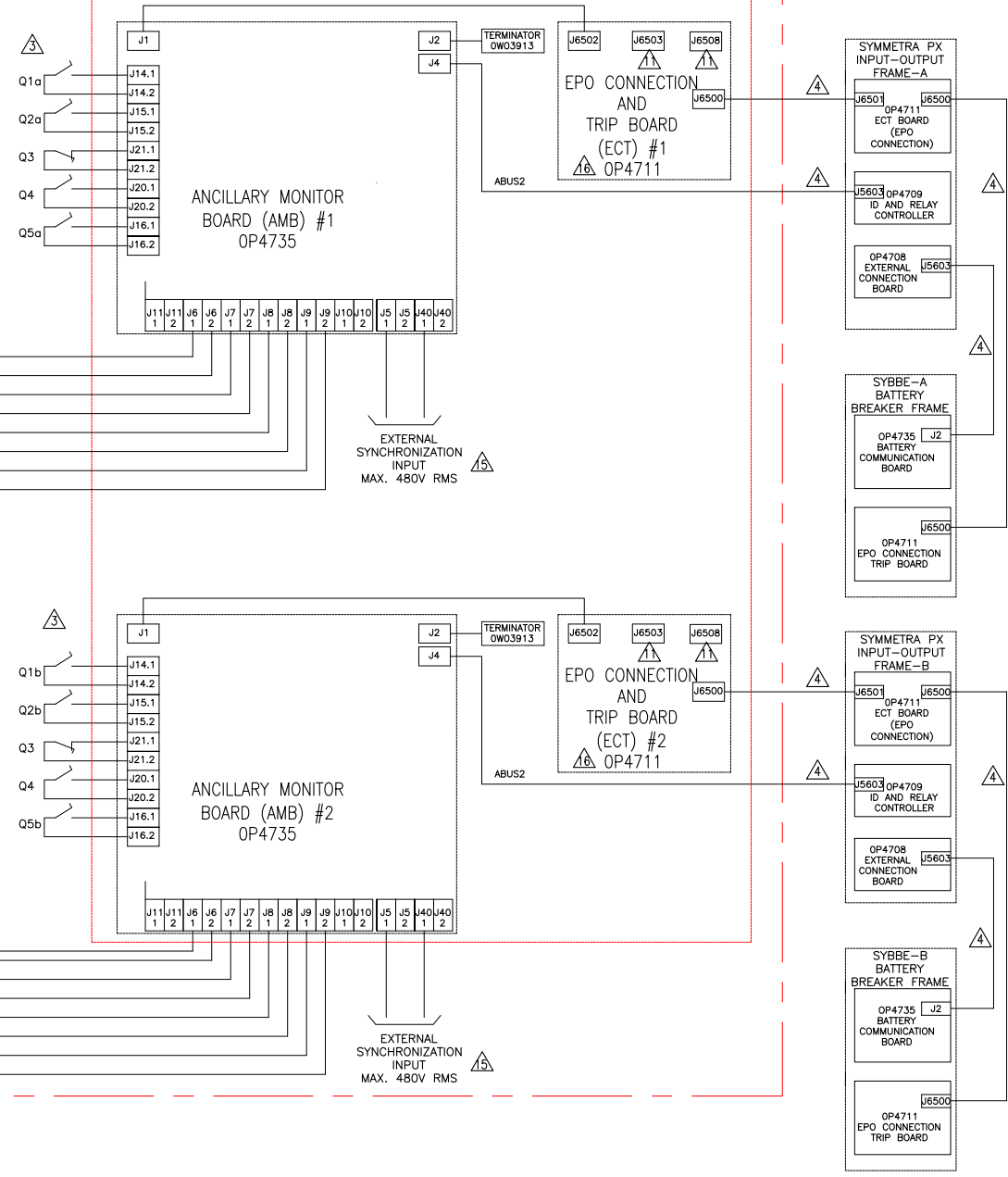


1. INSTALLATION MUST COMPLY WITH ALL APPLICABLE NATIONAL, STATE AND LOCAL CODES.
2. REFER TO PRODUCT DOCUMENTATION FOR ADDITIONAL DETAILS PRIOR TO INSTALLATION AND SITE PREPARATION WORK.
- △ 3. LIGHTS AND CONTACTS ARE FIELD WIRED.
- △ 4. STANDARD CABLE LENGTH IS 50 METERS AND IS PART OF SKU SYOPT007.
5. ON EACH SYOPT007, INSTALL TERMINATOR OW03913 IN THE J2 TERMINAL ON THE AMB.
6. ON EACH SYOPT007, CONNECT THE "ABUS" CABLE(OW3785C) FROM J4 ON THE AMB(OP4735) TO THE "ABUS" TERMINAL EXTERNAL CONNECTION BOARD OF ID AND RELAY CONTROLLER ON THE FRONT OF THE INPUT/OUTPUT ENCLOSURE.
7. IN EACH UPS, CONNECT THE ECT CABLE(OW3759A) FROM J6500 ON THE ECT BOARD(OP4711) IN MBP TO J6501 ON THE ECT BOARD(OP4711) IN THE TOP OF THE INPUT/OUTPUT ENCLOSURE.
8. IN EACH UPS, CONNECT NORMALLY OPEN(NO) AUXILIARY SWITCH FOR Q1, Q2 AND Q5 STATUS.
9. IN EACH UPS, CONNECT H2 AND H5 LAMPS FOR PERMISSION TO OPERATE Q2 AND Q5.
- △ 11. IN EACH UPS, CONNECT CABLE FOR Q2 TRIPPING TO EITHER:
 - A. J6503(UVR). WHEN USING SQUARE D UVR OR ABB S8 UVR, AN EXTERNAL 24V DC SELV SUPPLY SHOULD BE CONNECTED TO J6507. FOR THE UVR, THE FOLLOWING PARTS ARE NEEDED TO CONNECT J6503 PIN 2 AND 3: 1 TYCO 1-480700-0, M&L 3-POSITINO PLUG HOUSING AND 2 TYCO 3650218-3 M&L PIN, AWG 20-14 (NOT SUPPLIED).
 - B. J6508 (SOR). FOR THE SOR SHUNT TRIP, THE FOLLOWING PARTS ARE NEEDED TO CONNECT TO J6508: 1 TYCO 1-480698-0, M&L 2-POSITINO PLUG HOUSING AND 2 TYCO 350218-3 M&L PIN, AWG 20-147 (NOT SUPPLIED).
12. CONNECT NC CONTACT FOR Q3. EACH UPS MUST BE CONNECTED TO A SEPARATE DRY CONTACT.
13. CONNECT NO CONTACT FOR Q4. EACH UPS MUST BE CONNECTED TO A SEPARATE DRY CONTACT.
14. CONNECT H3 AND H4 LAMPS IN PARALLEL.
- △ 15. OPTION: CONNECT EXTERNAL SYNCHRONIZATION CABLES FROM L1 AND L2 OF THE PREFERRED AC SOURCE TO J5(L1) AND J40(L2) ON THE OP4735 BOARD FOR EACH UPS IN PARALLEL SYSTEM.
- △ 16. FOR EPO CONNECTION DEFAULT SETTING AND OPTIONS REFER TO DETAIL-A.

REMOTE SWITCH GEAR MONITOR BOARD (TO BE MOUNTED IN CUSTOMER SWITCH GEAR PANEL)



SYOPT007



THIS DRAWING AND SPECIFICATIONS HEREIN ARE THE PROPERTY OF SCHNEIDER ELECTRIC AND SHALL NOT BE COPIED, REPRODUCED OR USED IN WHOLE OR IN PART, AS THE BASIS FOR THE MANUFACTURE OR SALE OF ITEMS WITHOUT WRITTEN PERMISSION FROM SCHNEIDER ELECTRIC. THIS DRAWING IS BASED UPON LATEST AVAILABLE INFORMATION AND IS SUBJECT TO CHANGE WITHOUT NOTICE.



TITLE: SYMMETRA PX 250/500 THIRD PARTY SWITCH GEAR KIT REMOTE SWITCH GEAR CONNECTIONS PARALLEL UPS CONNECTIONS
PROJECT: SUBMITTAL DRAWINGS SHEET 3 OF 3

DWG NO: SYOPT007 REV. 4
DRAWN: BALAMURUGAN 26-FEB-16
ENGINEER: T.MULLER/F.JOHANSEN 26-FEB-16
APPROVED: T.MULLER/F.JOHANSEN 26-FEB-16
ANGLE PROJECTION N.A