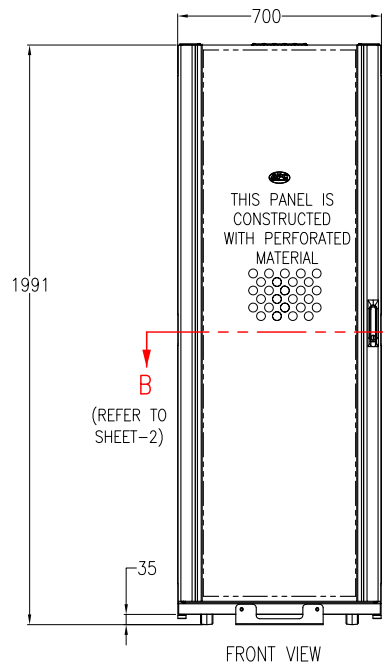
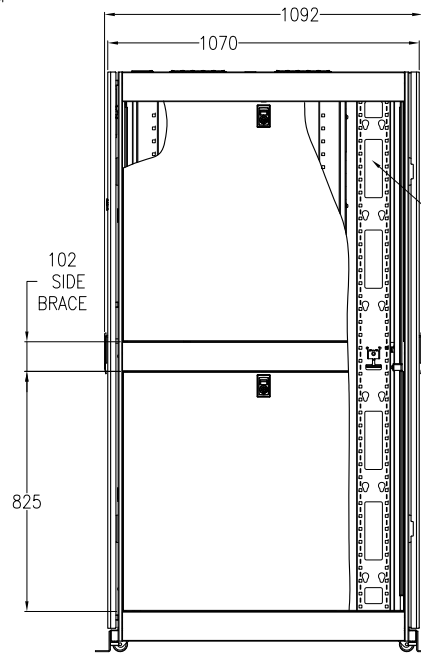


NOTES:

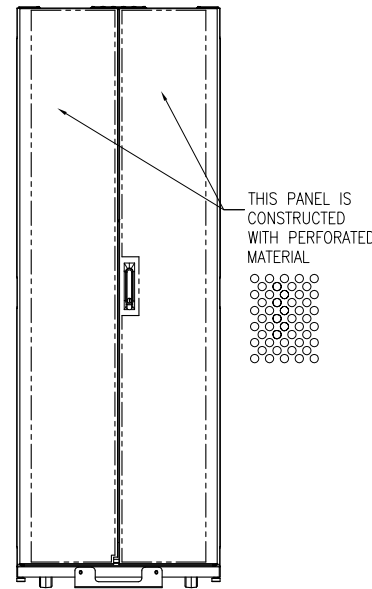
1. INSTALLATION SHALL COMPLY WITH ALL APPLICABLE NATIONAL AND LOCAL CODES.
2. PLEASE REFER TO PRODUCT MANUALS FOR ADDITIONAL DETAILS.
3. ALL DIMENSIONS ARE IN MILLIMETERS, UNLESS OTHERWISE SPECIFIED.
4. NET WEIGHT OF UNIT IS 138 Kg.
5. CABLE ENTRY IS TOP OR BOTTOM OF UNIT.
6. FRONT AND REAR SERVICE ACCESS REQUIRED.
7. AIR FLOW AND SERVICE REQUIREMENTS, AS WELL AS MINIMUM CLEARANCE TO FIRE SUPPRESSION SYSTEMS SHOULD BE CONSIDERED WHEN LOCATING THE ENCLOSURE.
8. PALLET BRACKET SHOWN FOR ILLUSTRATION ONLY. PLEASE REFER TO SHEET 3 FOR ANCHORING DETAILS.



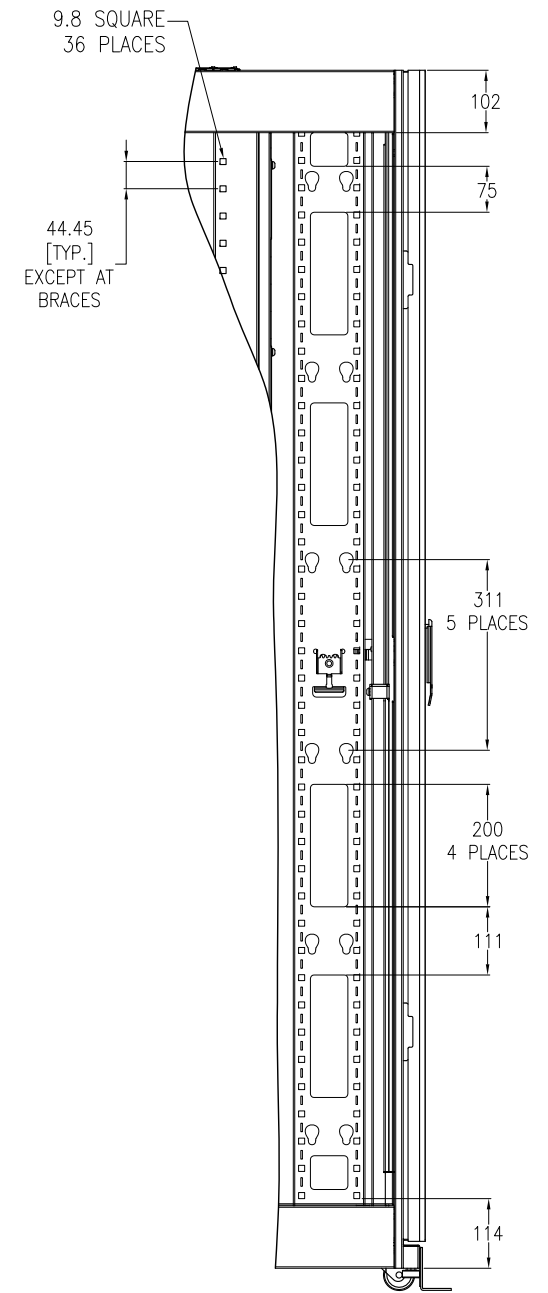
FRONT VIEW



SIDE VIEW



REAR VIEW



VIEW-A
RACK MOUNT PDU MOUNTING DETAILS

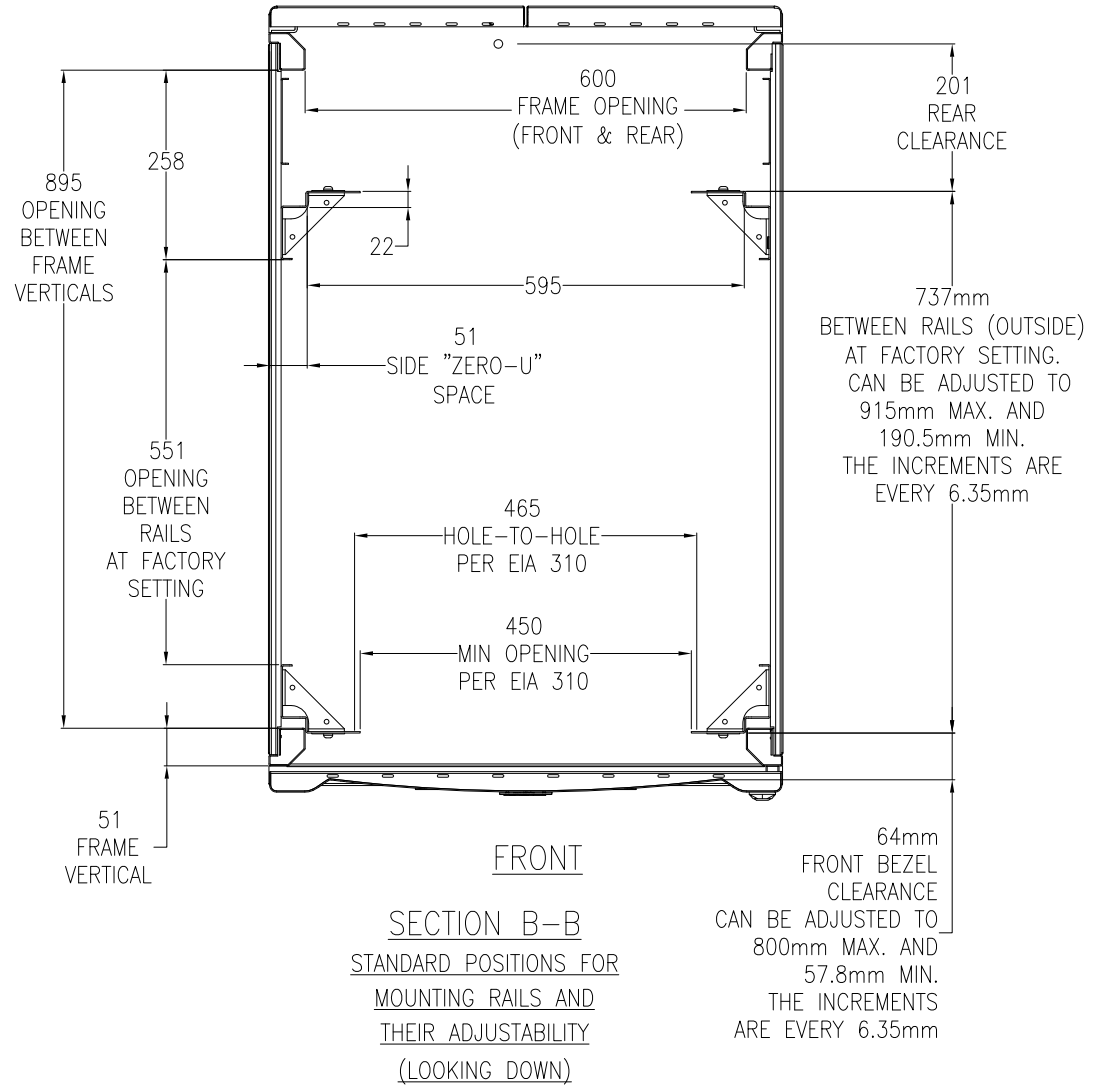
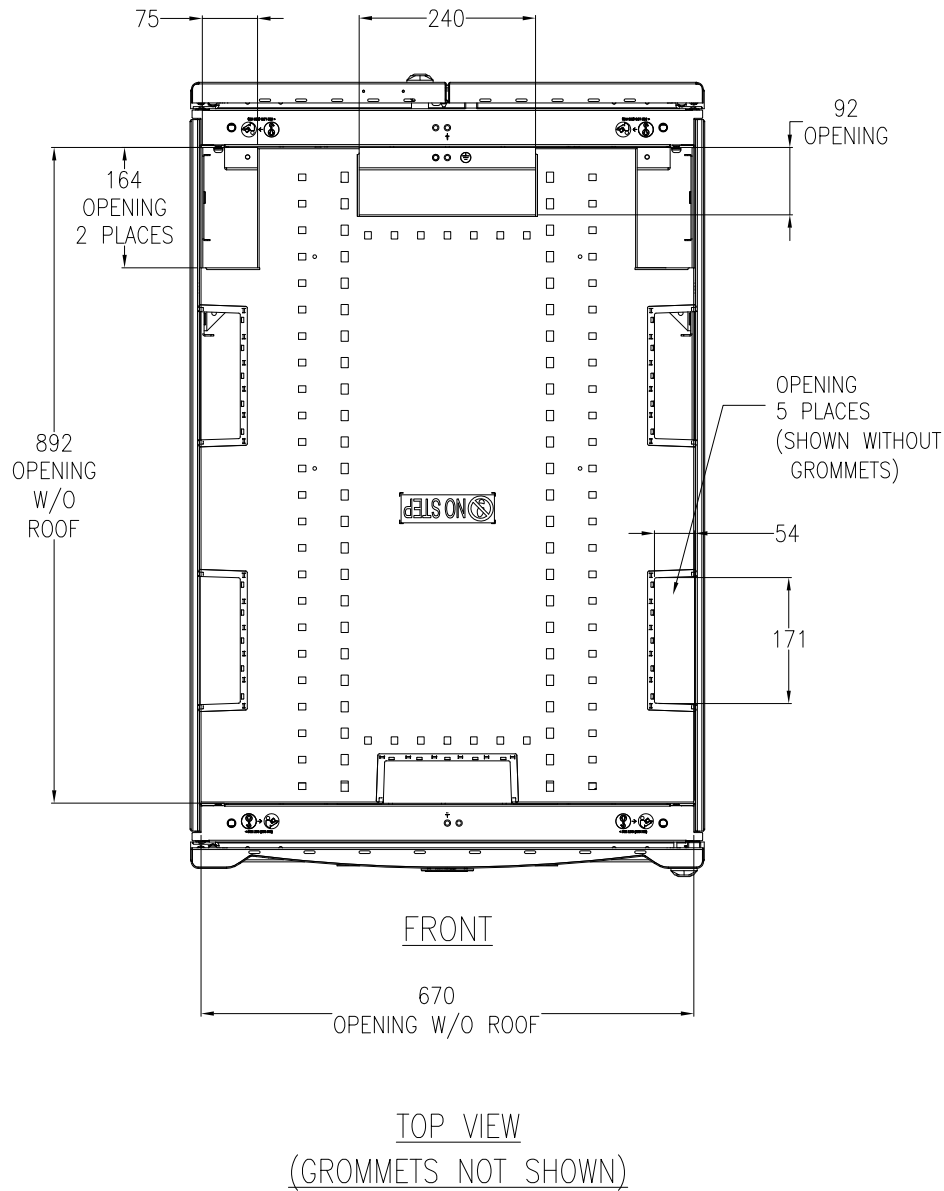
THIS DRAWING AND SPECIFICATIONS HEREIN ARE THE PROPERTY OF SCHNEIDER ELECTRIC AND SHALL NOT BE COPIED, REPRODUCED OR USED IN WHOLE OR IN PART, AS THE BASIS FOR THE MANUFACTURE OR SALE OF ITEMS WITHOUT WRITTEN PERMISSION FROM SCHNEIDER ELECTRIC. THIS DRAWING IS BASED UPON LATEST AVAILABLE INFORMATION AND IS SUBJECT TO CHANGE WITHOUT NOTICE.



TITLE:
NetShelter SX 42U ENCLOSURE WITH SIDES
700mm WIDE x 1070mm DEEP
MAIN MECHANICAL

PROJECT: SUBMITTAL DRAWINGS SHEET 1 OF 4

DWG NO:	AR3130	REV:	1
DRAWN:	C KRISHNA	DATE:	08-OCT-09
ENGINEER:	CHENGZONG JU	DATE:	08-OCT-09
APPROVED:	CARA YU	DATE:	08-OCT-09
		THIRD ANGLE PROJECTION	



NOTES:

1. INSTALLATION MUST COMPLY WITH NATIONAL AND LOCAL ELECTRICAL REGULATIONS.
2. PLEASE REFER TO PRODUCT MANUALS FOR ADDITIONAL DETAILS
3. ALL DIMENSIONS ARE IN MILLIMETERS, UNLESS OTHERWISE SPECIFIED.

THIS DRAWING AND SPECIFICATIONS HEREIN ARE THE PROPERTY OF SCHNEIDER ELECTRIC AND SHALL NOT BE COPIED, REPRODUCED OR USED IN WHOLE OR IN PART, AS THE BASIS FOR THE MANUFACTURE OR SALE OF ITEMS WITHOUT WRITTEN PERMISSION FROM SCHNEIDER ELECTRIC. THIS DRAWING IS BASED UPON LATEST AVAILABLE INFORMATION AND IS SUBJECT TO CHANGE WITHOUT NOTICE.



TITLE:
NetShelter SX 42U ENCLOSURE WITH SIDES
700mm WIDE x 1070mm DEEP
TOP AND SECTION VIEW

DWG NO: AR3130

REV. 1

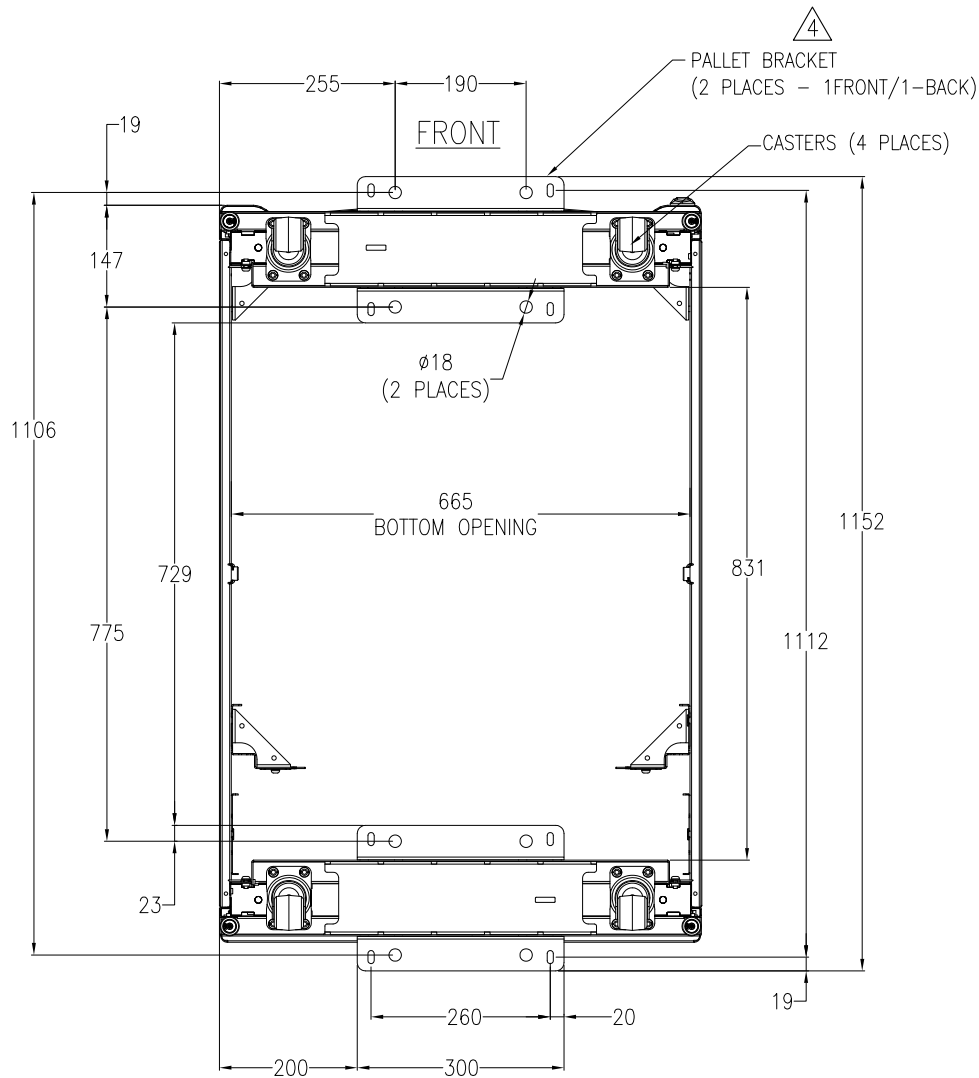
DRAWN: C KRISHNA 08-OCT-09

ENGINEER: CHENGZONG JU 08-OCT-09

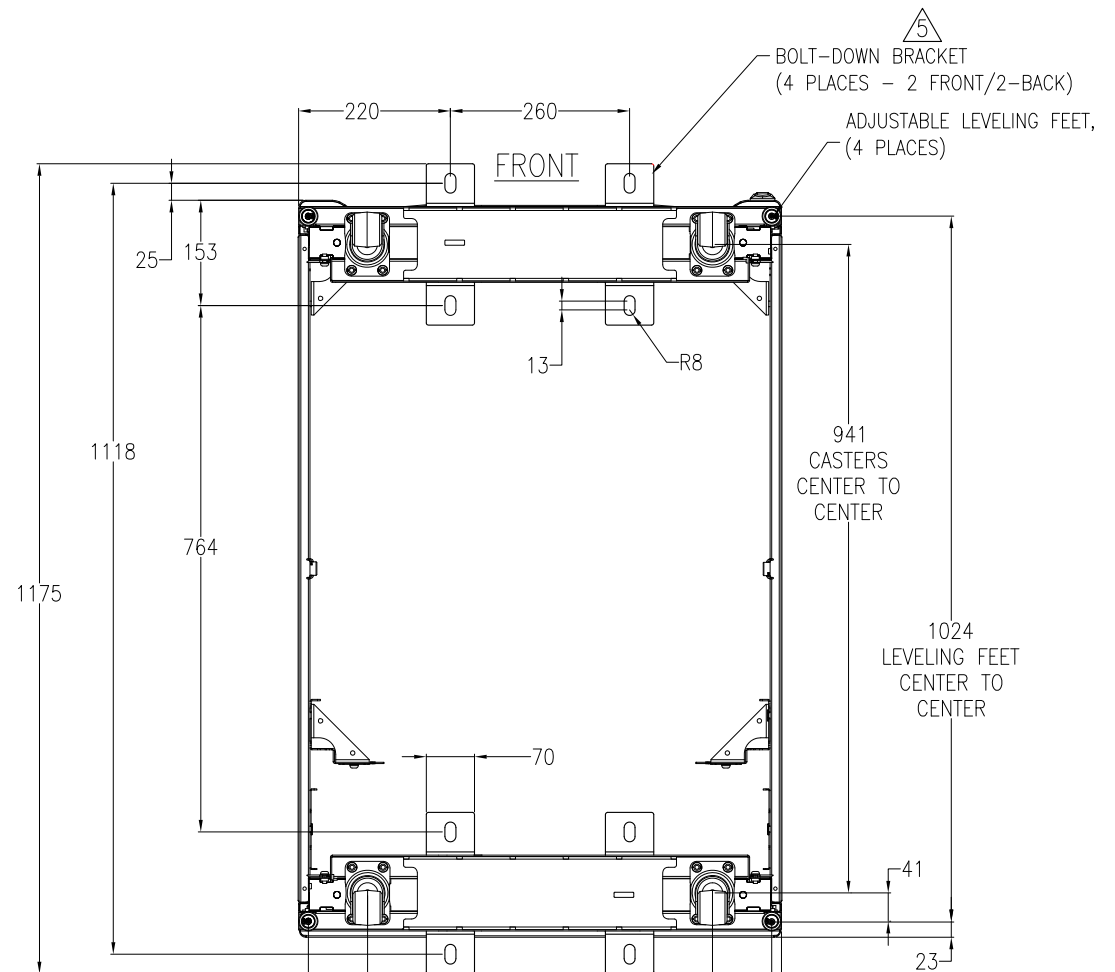
APPROVED: CARA YU 08-OCT-09

THIRD
ANGLE
PROJECTION

PROJECT: SUBMITTAL DRAWINGS SHEET 2 OF 4



BOTTOM VIEW
(WITH PALLET BRACKETS)
CAN BE USED FOR ANCHORING))



BOTTOM VIEW
(WITH BOLT-DOWN BRACKETS
FOR ANCHORING, SOLD SEPERATELY)

NOTES:

1. INSTALLATION MUST COMPLY WITH NATIONAL AND LOCAL ELECTRICAL REGULATIONS.
2. PLEASE REFER TO PRODUCT MANUALS FOR ADDITIONAL DETAILS
3. ALL DIMENSIONS ARE IN MILLIMETERS, UNLESS OTHERWISE SPECIFIED.

△4. ANCHORING CAN BE INSTALLED EITHER INSIDE OR OUTSIDE THE NetShelter WITH ONE AT FRONT AND ONE IN BACK.

△5. BOLT-DOWN KIT (SKU# AR7701) IS OPTIONAL AND HAS TO BE ORDERED SEPERATELY.

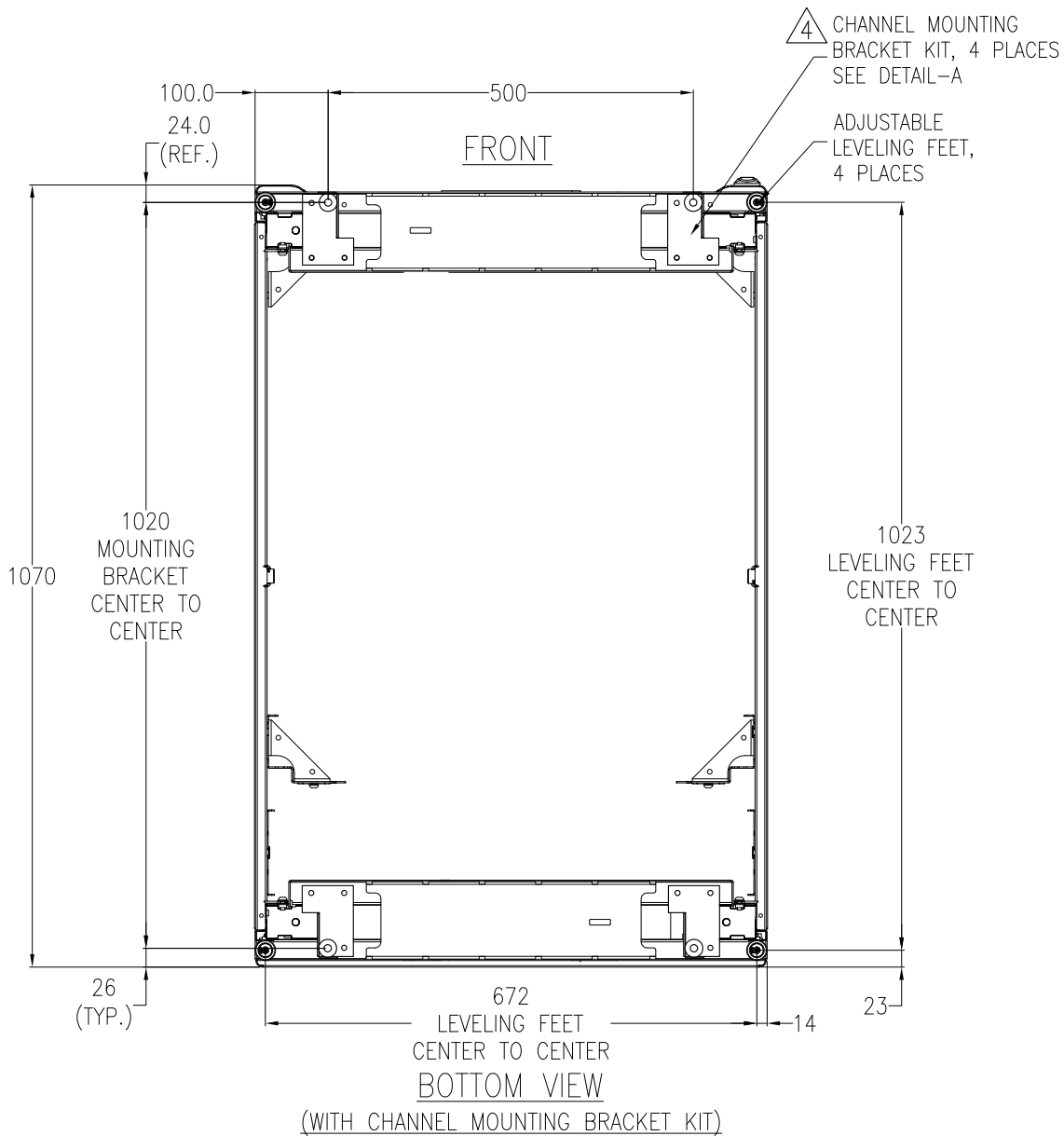
THIS DRAWING AND SPECIFICATIONS HEREIN ARE THE PROPERTY OF SCHNEIDER ELECTRIC AND SHALL NOT BE COPIED, REPRODUCED OR USED IN WHOLE OR IN PART, AS THE BASIS FOR THE MANUFACTURE OR SALE OF ITEMS WITHOUT WRITTEN PERMISSION FROM SCHNEIDER ELECTRIC. THIS DRAWING IS BASED UPON LATEST AVAILABLE INFORMATION AND IS SUBJECT TO CHANGE WITHOUT NOTICE.



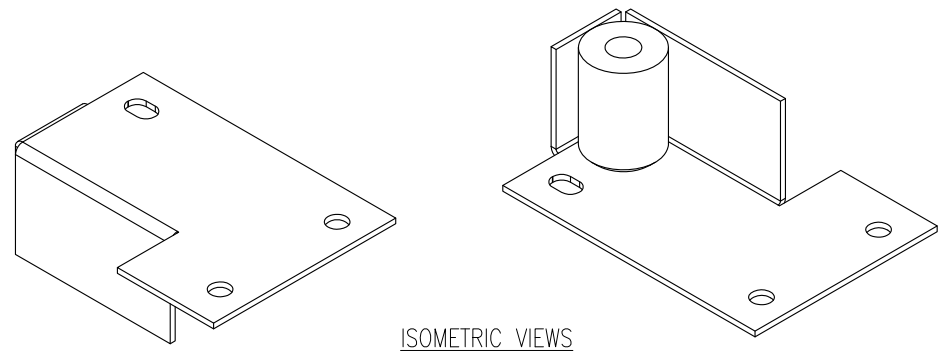
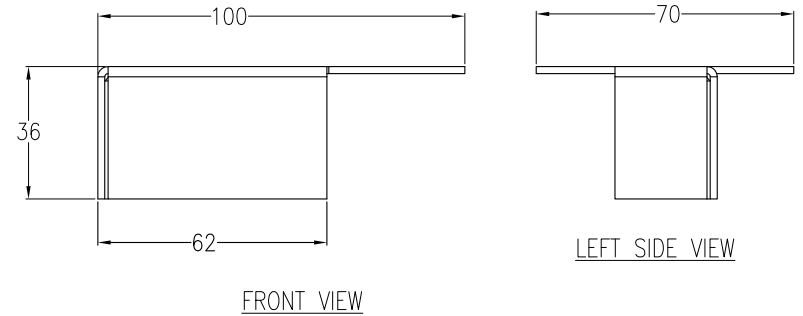
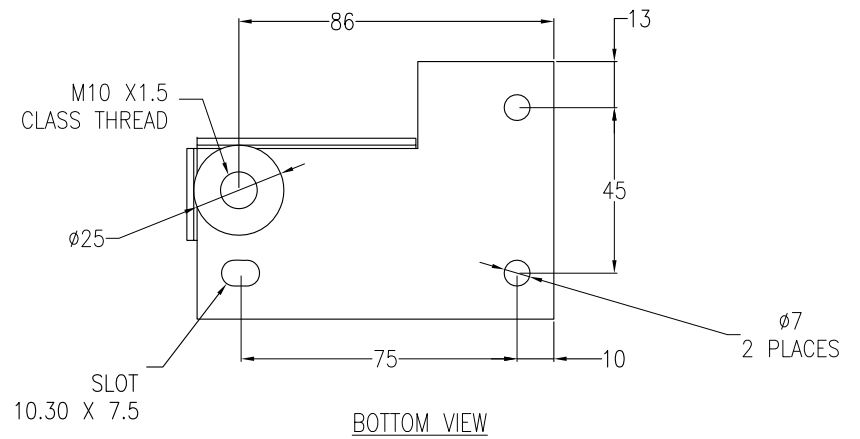
TITLE:
NetShelter SX 42U ENCLOSURE WITH SIDES
700mm WIDE x 1070mm DEEP
BOTTOM VIEW & ANCHORING DETAILS

PROJECT: SUBMITTAL DRAWINGS SHEET 3 OF 4

DWG NO:	AR3130	REV:	3
DRAWN:	JAYAPRAKASH/S CUNHA	DATE:	30-NOV-12
ENGINEER:	CHENGZONG JU	DATE:	28-JAN-11
APPROVED:	CARA YU	DATE:	28-JAN-11
			THIRD ANGLE PROJECTION



DETAIL-A
CHANNEL MOUNTING BRACKET KIT
(AR7709)



NOTES:

1. INSTALLATION MUST COMPLY WITH ALL APPLICABLE NATIONAL AND LOCAL CODES.
2. ALL DIMENSIONS ARE MILLIMETERS [INCHES].
3. PLEASE REFER TO INSTALLATION MANUAL: 990-2912 FOR CHANNEL BRACKET INSTALLATION DETAILS.
4. CHANNEL MOUNTING BRACKET KIT (SKU# AR7709) IS OPTIONAL AND HAS TO BE ORDERED SEPARATELY.

THIS DRAWING AND SPECIFICATIONS HEREIN ARE THE PROPERTY OF SCHNEIDER ELECTRIC AND SHALL NOT BE COPIED, REPRODUCED OR USED IN WHOLE OR IN PART, AS THE BASIS FOR THE MANUFACTURE OR SALE OF ITEMS WITHOUT WRITTEN PERMISSION FROM SCHNEIDER ELECTRIC. THIS DRAWING IS BASED UPON LATEST AVAILABLE INFORMATION AND IS SUBJECT TO CHANGE WITHOUT NOTICE.

Schneider Electric

TITLE:
NetShelter SX 42U ENCLOSURE WITH SIDES
700mm WIDE x 1070mm DEEP
BOTTOM VIEW WITH
CHANNEL MOUNTING BRACKET KIT

DWG NO: AR3130

REV. 4

DRAWN: JAYAPRAKASH/S CUNHA 21-MAY-14

ENGINEER: J KUMMER 21-MAY-14

APPROVED: J SUN 21-MAY-14

THIRD ANGLE PROJECTION

PROJECT: SUBMITTAL DRAWINGS SHEET 4 OF 4