

**NOTES:**

1. INSTALLATION SHALL COMPLY WITH ALL APPLICABLE NATIONAL AND LOCAL CODES.
2. PLEASE REFER TO PRODUCT MANUALS FOR ADDITIONAL DETAILS.
3. ALL DIMENSIONS ARE IN MILLIMETERS [INCHES].
4. THIS ROOF FAN TRAY IS FOR USE WITH AR3100, AR3104 & AR3107 APC NetShelter SX ENCLOSURES OF 600mm Wide X 1070mm Deep ONLY.
5. NET WEIGHT OF UNIT IS 8.41 kg [18.5 LBS].
6. IEC320-C13 TO NEMA 5-15P POWER CORDS OF 3 METER [10 FEET] LENGTH IS SUPPLIED WITH THE UNIT.
7. ROOF GROMMETS (0M-6444A - QTY.: 5) ARE SUPPLIED WITH THE SKU.

ACF501					
INPUT VOLTAGE	FREQUENCY	CURRENT	NOISE	AIR FLOW	OPERATING VOLTAGE RANGE
120 VAC	50Hz	0.70A	51 dBA	370 CFM	102-138 VAC
	60Hz	0.85A	51 dBA	440 CFM	102-138 VAC

THIS DRAWING AND SPECIFICATIONS HEREIN ARE THE PROPERTY OF SCHNEIDER ELECTRIC AND SHALL NOT BE COPIED, REPRODUCED OR USED IN WHOLE OR IN PART, AS THE BASIS FOR THE MANUFACTURE OR SALE OF ITEMS WITHOUT WRITTEN PERMISSION FROM SCHNEIDER ELECTRIC. THIS DRAWING IS BASED UPON LATEST AVAILABLE INFORMATION AND IS SUBJECT TO CHANGE WITHOUT NOTICE.

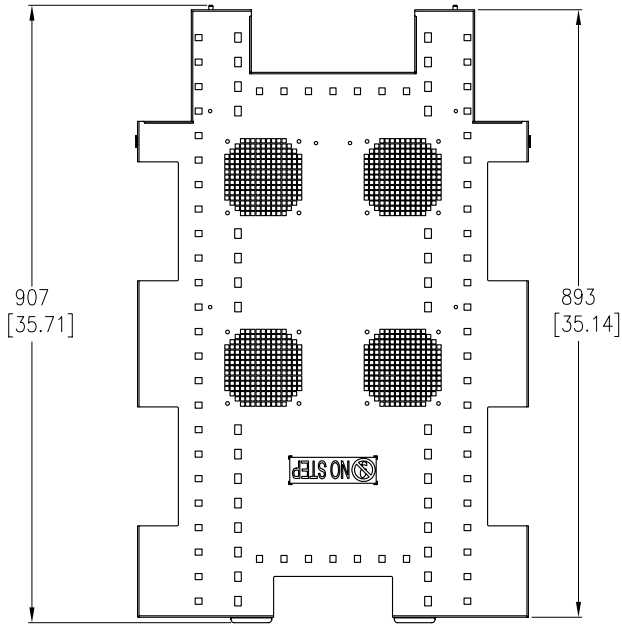


TITLE:  
RACK FAN TRAY  
120V, 50/60Hz  
For NetShelter SX 600mm ENCLOSURE  
ASSEMBLY- MAIN MECHANICAL

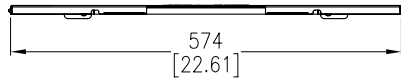
DWG NO:	ACF501		REV:	0
DRAWN:	JAYAPRAKASH	01-APR-09	THIRD	ANGLE
ENGINEER:	M.UHRHAN/B.OLIVER	14-APR-09	PROJECTION	
APPROVED:	CUMMISKEY/C.ZALDIVAR/T.YAMAMOTO	14-APR-09		

PROJECT: SUBMITTAL DRAWINGS SHEET 1 OF 3

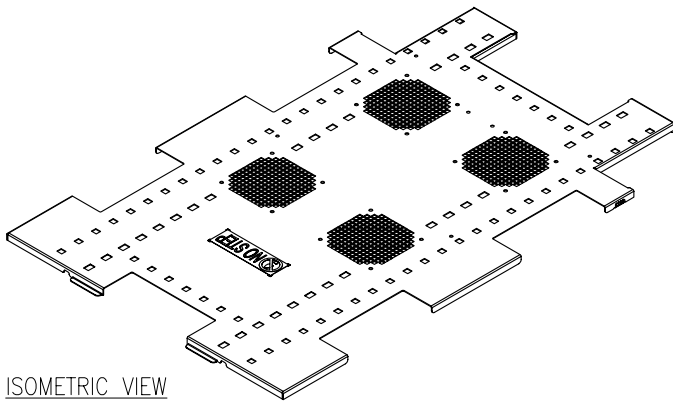
# ROOF FAN TRAY



TOP VIEW



FRONT VIEW

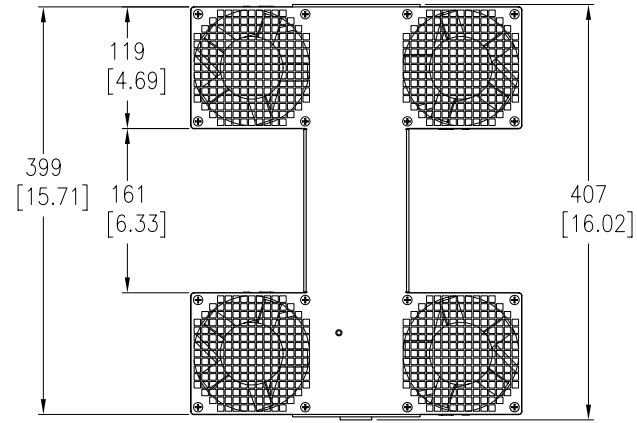


ISOMETRIC VIEW

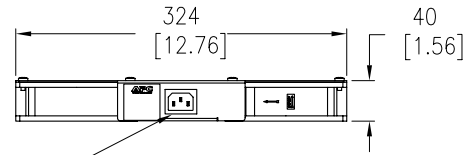
## NOTES:

1. INSTALLATION SHALL COMPLY WITH ALL APPLICABLE NATIONAL AND LOCAL CODES.
2. PLEASE REFER TO PRODUCT MANUALS FOR ADDITIONAL DETAILS.
3. ALL DIMENSIONS ARE IN MILLIMETERS [INCHES].

# FAN COVER ASSEMBLY

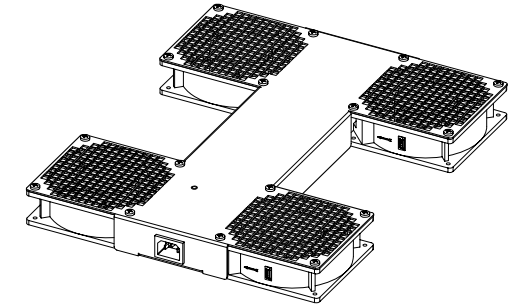


TOP VIEW

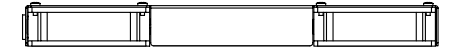


IEC320-C14  
INPUT SOCKET

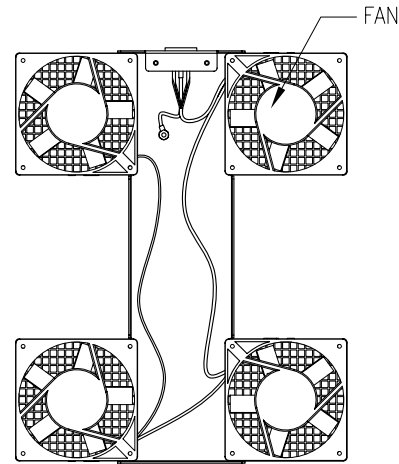
FRONT VIEW



TRIMETRIC VIEW



SIDE VIEW



BOTTOM VIEW

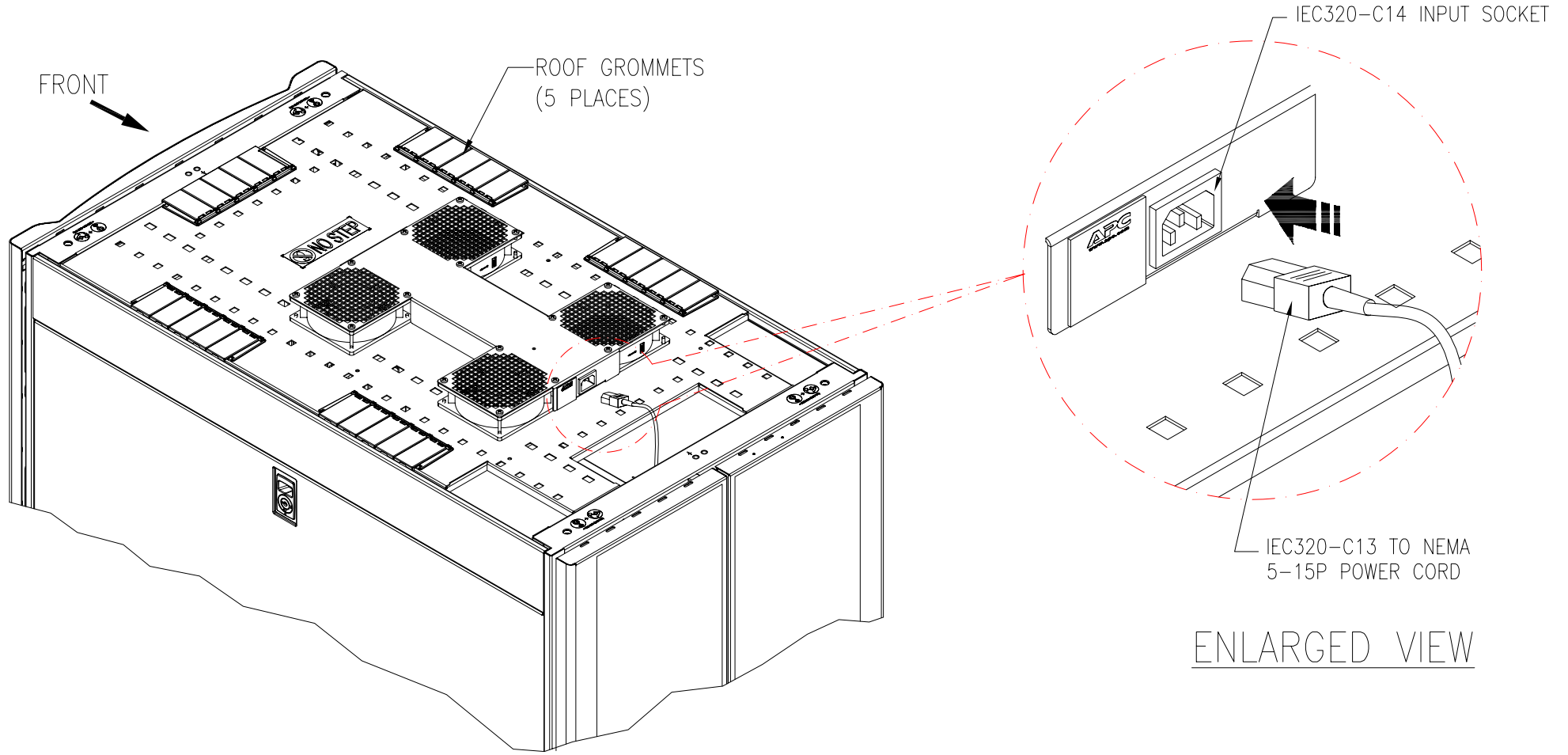
THIS DRAWING AND SPECIFICATIONS HEREIN ARE THE PROPERTY OF SCHNEIDER ELECTRIC AND SHALL NOT BE COPIED, REPRODUCED OR USED IN WHOLE OR IN PART, AS THE BASIS FOR THE MANUFACTURE OR SALE OF ITEMS WITHOUT WRITTEN PERMISSION FROM SCHNEIDER ELECTRIC. THIS DRAWING IS BASED UPON LATEST AVAILABLE INFORMATION AND IS SUBJECT TO CHANGE WITHOUT NOTICE.



TITLE:  
RACK FAN TRAY  
120V, 50/60Hz  
For NetShelter SX 600mm ENCLOSURE  
ROOF FAN TRAY & FAN COVER ASSEMBLY  
PROJECT: SUBMITTAL DRAWINGS SHEET 2 OF 3

DWG NO:	ACF501	REV:	0
DRAWN:	JAYAPRAKASH	01-APR-09	THIRD
ENGINEER:	M.UHRHAN/B.OLIVER	14-APR-09	ANGLE
APPROVED:	CUMMISKEY/C.ZALDIVAR/T.YAMAMOTO	14-APR-09	PROJECTION

TYPICAL APPLICATION



ENLARGED VIEW

NOTES:

1. INSTALLATION SHALL COMPLY WITH ALL APPLICABLE NATIONAL AND LOCAL CODES.
2. PLEASE REFER TO PRODUCT MANUALS FOR ADDITIONAL DETAILS.

THIS DRAWING AND SPECIFICATIONS HEREIN ARE THE PROPERTY OF SCHNEIDER ELECTRIC AND SHALL NOT BE COPIED, REPRODUCED OR USED IN WHOLE OR IN PART, AS THE BASIS FOR THE MANUFACTURE OR SALE OF ITEMS WITHOUT WRITTEN PERMISSION FROM SCHNEIDER ELECTRIC. THIS DRAWING IS BASED UPON LATEST AVAILABLE INFORMATION AND IS SUBJECT TO CHANGE WITHOUT NOTICE.



TITLE:  
RACK FAN TRAY  
120V, 50/60Hz  
For NetShelter SX 600mm ENCLOSURE  
TYPICAL APPLICATION

DWG NO:	ACF501		REV:	0
DRAWN:	JAYAPRAKASH	01-APR-09	THIRD ANGLE PROJECTION	
ENGINEER:	M.UHRHAN/B.OLIVER	14-APR-09		
APPROVED:	CUMMISKEY/C.ZALDIVAR/T.YAMAMOTO	14-APR-09		

PROJECT: SUBMITTAL DRAWINGS SHEET 3 OF 3