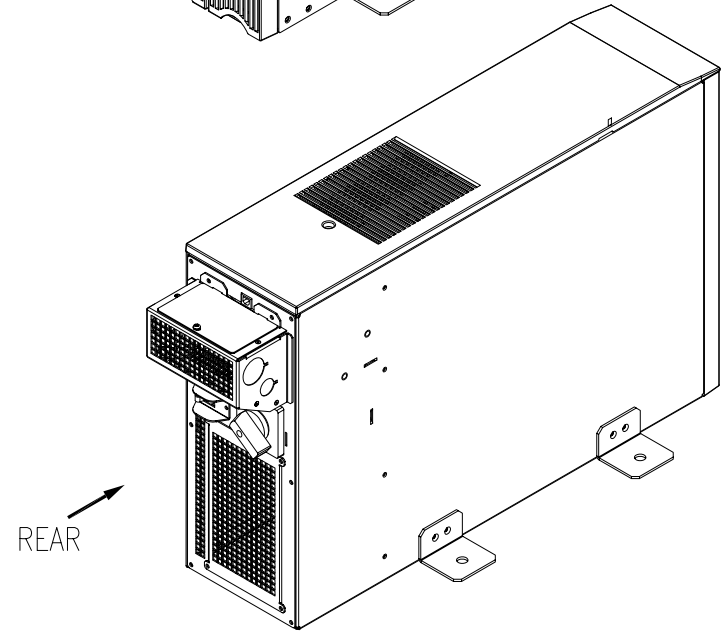
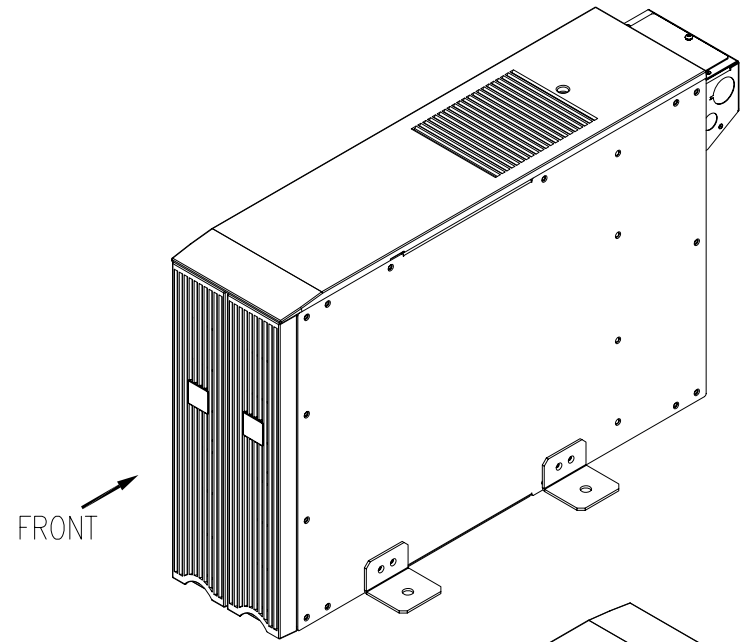


ISOMETRIC VIEWS (RACK MOUNT)



ISOMETRIC VIEWS (TOWER MOUNT)

NOTES:

1. PLEASE REFER TO APC PRODUCT MANUAL FOR DETAILS.
2. INSTALLATION MUST COMPLY WITH ALL APPLICABLE NATIONAL AND LOCAL CODES.

THIS DRAWING AND SPECIFICATIONS HEREIN ARE THE PROPERTY OF AMERICAN POWER CONVERSION AND SHALL NOT BE COPIED, REPRODUCED OR USED IN WHOLE OR IN PART, AS THE BASIS FOR THE MANUFACTURE OR SALE OF ITEMS WITHOUT WRITTEN PERMISSION FROM APC. THIS DRAWING IS BASED UPON LATEST AVAILABLE INFORMATION AND IS SUBJECT TO CHANGE WITHOUT NOTICE.

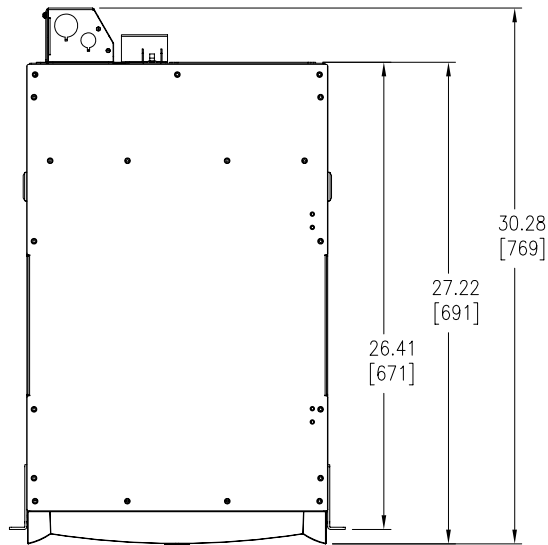


TITLE: ISOLATION TRANSFORMER 10kVA
 INPUT: 200-240V AC 2PH/400V AC 2PH
 OUTPUT: 200-240V AC/120V AC
 ISOMETRIC VIEW
 PROJECT: SUBMITTAL DRAWINGS SHEET 1 OF 3

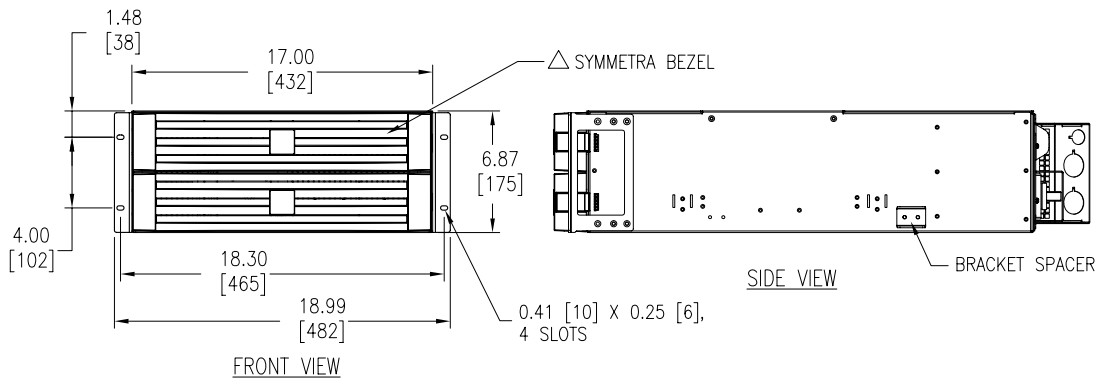
DWG NO: APTF10KW01-MM1
 DRAWN: JAYAPRAKASH 17-SEP-07
 ENGINEER: K.WHITE/B.BUNGAYAO 29-SEP-07
 APPROVED: M.TAVARES 29-SEP-07

REV: 0
 THIRD ANGLE PROJECTION

RACK MOUNT CONFIGURATION



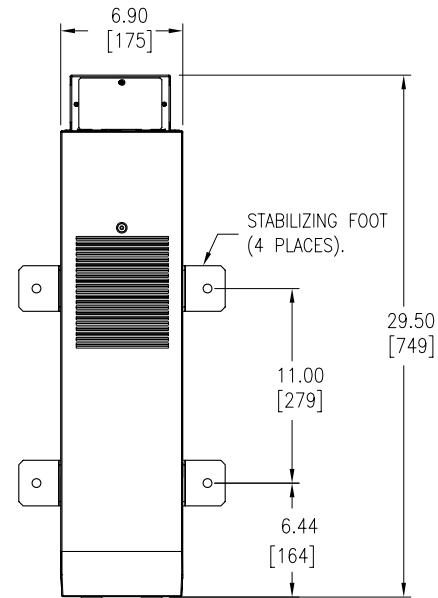
TOP VIEW



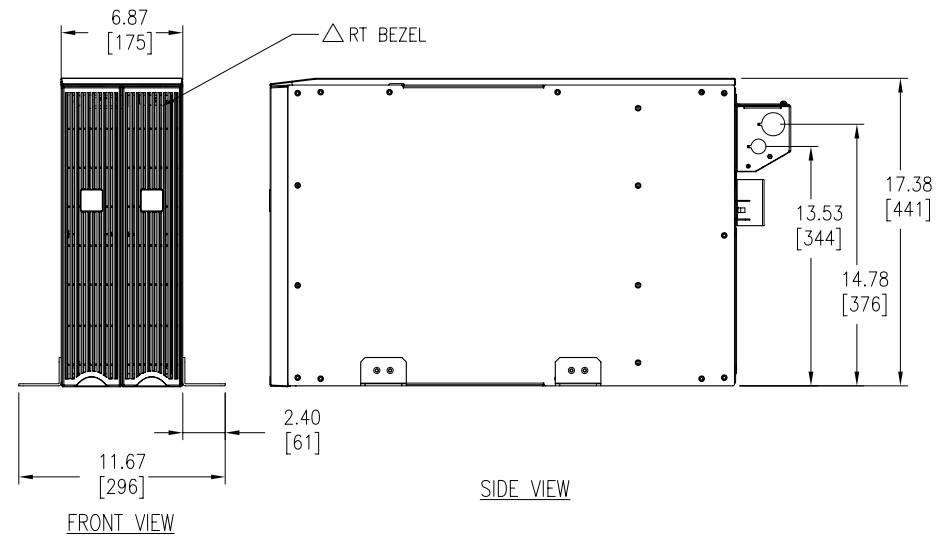
FRONT VIEW

SIDE VIEW

TOWER MOUNT CONFIGURATION



TOP VIEW



FRONT VIEW

SIDE VIEW

NOTES:

1. PLEASE REFER TO APC PRODUCT MANUAL FOR DETAILS.
2. ALL DIMENSIONS ARE IN INCHES [MILLIMETERS].
3. WEIGHT OF UNIT IS 220 LBS [100 kg].
4. UNIT SHIPPED WITH BOTH RT AND LYNX BEZELS.
- △ 5. EITHER SYMMETRA BEZELS OR RT BEZELS CAN BE USED FOR THIS OPTION.
6. INSTALLATION MUST COMPLY WITH ALL APPLICABLE NATIONAL AND LOCAL CODES.

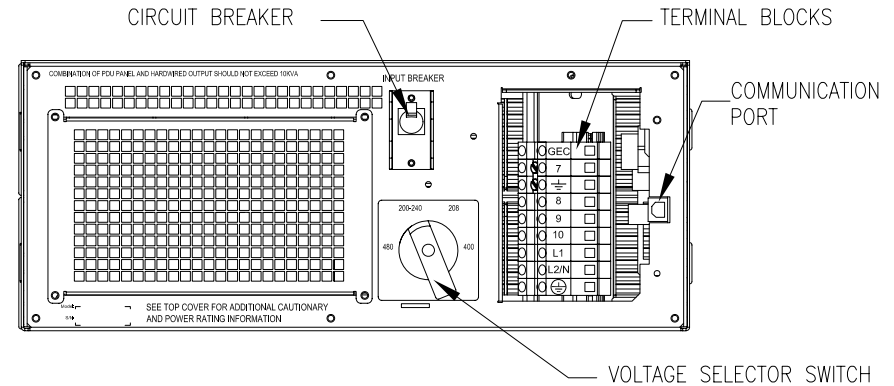
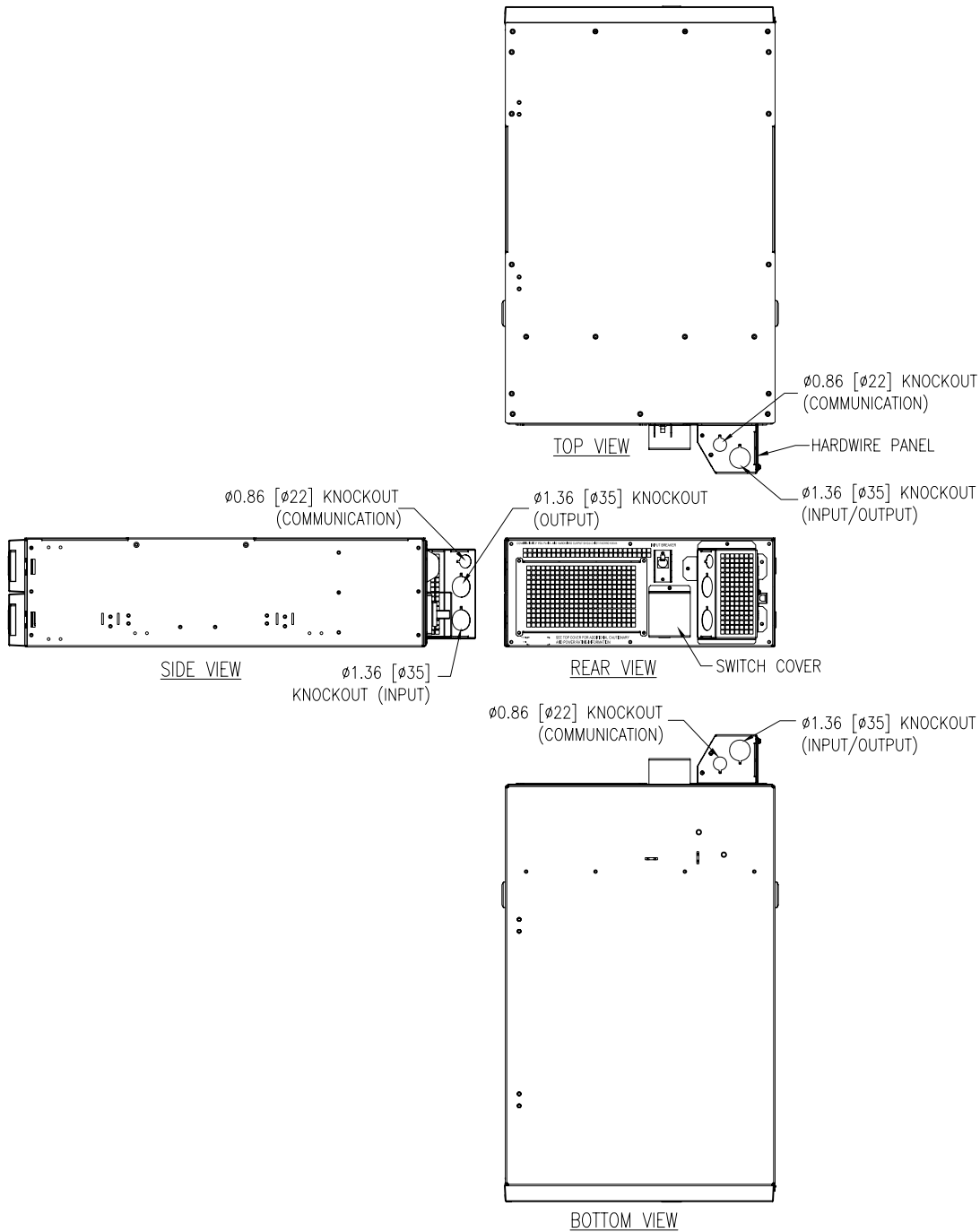
THIS DRAWING AND SPECIFICATIONS HEREIN ARE THE PROPERTY OF AMERICAN POWER CONVERSION AND SHALL NOT BE COPIED, REPRODUCED OR USED IN WHOLE OR IN PART, AS THE BASIS FOR THE MANUFACTURE OR SALE OF ITEMS WITHOUT WRITTEN PERMISSION FROM APC. THIS DRAWING IS BASED UPON LATEST AVAILABLE INFORMATION AND IS SUBJECT TO CHANGE WITHOUT NOTICE.



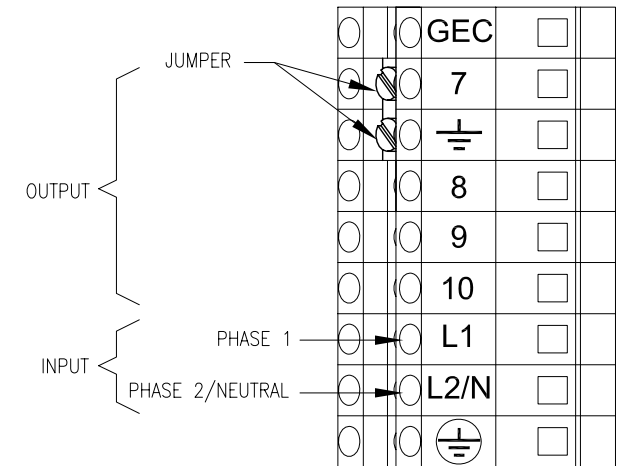
TITLE: ISOLATION TRANSFORMER 10KVA
 INPUT: 200-240V AC 2PH/400V AC 2PH
 OUTPUT: 200-240V AC/120V AC
 MAIN MECHANICAL
 PROJECT: SUBMITTAL DRAWINGS SHEET 2 OF 3

DWG NO:	APTF10KW01-MM2	REV:	0
DRAWN:	JAYAPRAKASH	17-SEP-07	THIRD ANGLE PROJECTION
ENGINEER:	K.WHITE/B.BUNGAYAO	29-SEP-07	
APPROVED:	M.TAVARES	29-SEP-07	

TYPICAL DETAILS FOR RACK MOUNT AND TOWER MOUNT CONFIGURATION



REAR VIEW (ENLARGED)
(WITHOUT SWITCH COVER)



TERMINAL BLOCKS
(ENLARGED VIEW)

TERMINAL BLOCK CONNECTIONS FOR OUTPUT
TORQUE REQUIRED IS 13.3 in-lbs [1.5 N-m]

INPUT NO OF PHASE	INPUT VOLTAGE (AC)		OUTPUT VOLTAGE AT 60A (10kVA UNITS)			
	SWITCH POSITION	SWITCH CONTACTS (CLOSE POSITION)	TERMINAL BLOCK CONNECTIONS			
SINGLE PHASE	200-240	1-2, 5-6, 13-14	200/240V	208V	100/120V	100/120V
	208V	3-4, 7-8, 13-14	240V	208V	120V	120V
TWO PHASE	400V	3-4, 11-12	220-240V	--	--	--
	480V	1-2, 9-10	240V	208V	120V	120V

NOTES:

- PLEASE REFER TO APC PRODUCT MANUAL FOR DETAILS.
- ALL DIMENSIONS ARE IN INCHES [MILLIMETERS].
- INSTALLATION MUST COMPLY WITH ALL APPLICABLE NATIONAL AND LOCAL CODES.

THIS DRAWING AND SPECIFICATIONS HEREIN ARE THE PROPERTY OF AMERICAN POWER CONVERSION AND SHALL NOT BE COPIED, REPRODUCED OR USED IN WHOLE OR IN PART, AS THE BASIS FOR THE MANUFACTURE OR SALE OF ITEMS WITHOUT WRITTEN PERMISSION FROM APC. THIS DRAWING IS BASED UPON LATEST AVAILABLE INFORMATION AND IS SUBJECT TO CHANGE WITHOUT NOTICE.



TITLE: ISOLATION TRANSFORMER 10kVA
INPUT: 200-240V AC 2PH/400V AC 2PH
OUTPUT: 200-240V AC/120V AC
REAR AND SECTION VIEWS

PROJECT: SUBMITTAL DRAWINGS **SHEET 3 OF 3**

DWG NO: APTF10KW01-MM3 **REV.** 0

DRAWN: JAYAPRAKASH 17-SEP-07 **THIRD ANGLE PROJECTION**

ENGINEER: K.WHITE/B.BUNGAYAO 29-SEP-07

APPROVED: M.TAVARES 29-SEP-07