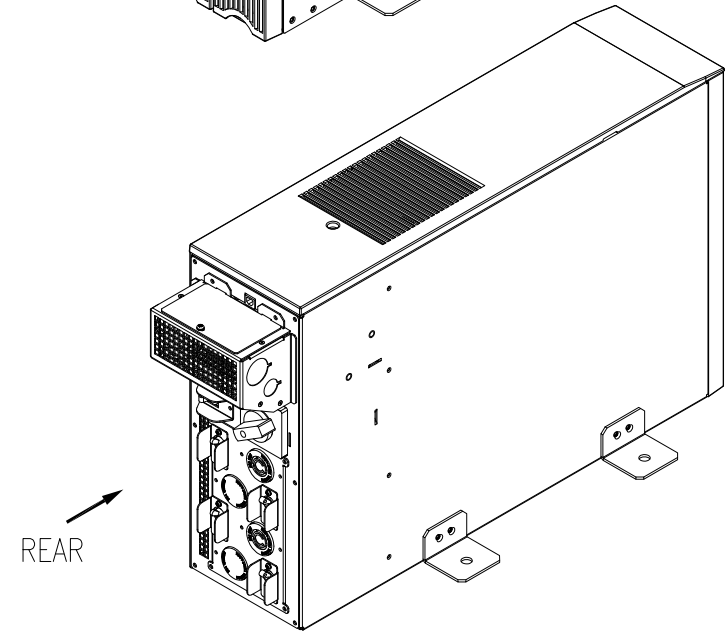
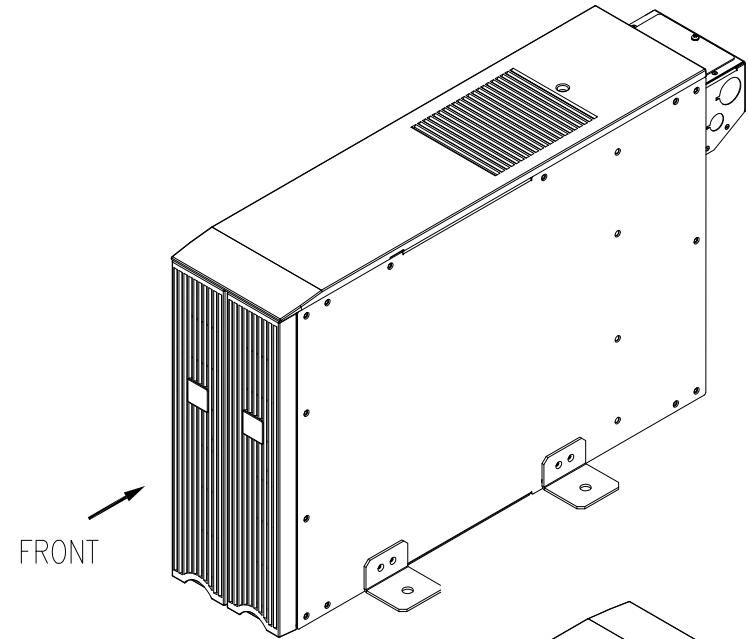


ISOMETRIC VIEWS (RACK MOUNT)



ISOMETRIC VIEWS (TOWER MOUNT)

**NOTES:**

1. INSTALLATION SHALL COMPLY WITH ALL APPLICABLE NATIONAL AND LOCAL CODES.
2. SEE PRODUCT DOCUMENTATION FOR FURTHER INFORMATION PRIOR TO INSTALLATION.

THIS DRAWING AND SPECIFICATIONS HEREIN ARE THE PROPERTY OF SCHNEIDER ELECTRIC AND SHALL NOT BE COPIED, REPRODUCED OR USED IN WHOLE OR IN PART, AS THE BASIS FOR THE MANUFACTURE OR SALE OF ITEMS WITHOUT WRITTEN PERMISSION FROM SCHNEIDER ELECTRIC. THIS DRAWING IS BASED UPON LATEST AVAILABLE INFORMATION AND IS SUBJECT TO CHANGE WITHOUT NOTICE.



TITLE:  
STEP-DOWN TRANSFORMER  
INPUT: 208VAC, 1 $\phi$  OR 480VAC, 2 $\phi$   
OUTPUT: 10kVA, 120VAC OR 208VAC  
ISOMETRIC VIEW

PROJECT: STD SUBMITTAL DRAWINGS SHEET 1 OF 3

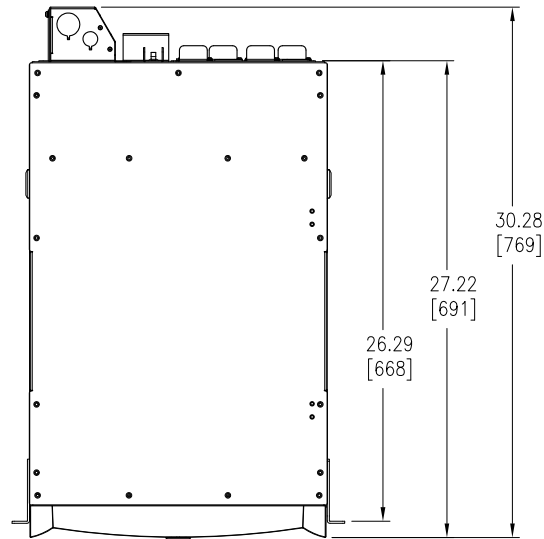
DWG NO: APTF10KT01-MM1 REV. 1

DRAWN BY: JAYAPRAKASH/S CUNHA 23-MAY-12 THIRD

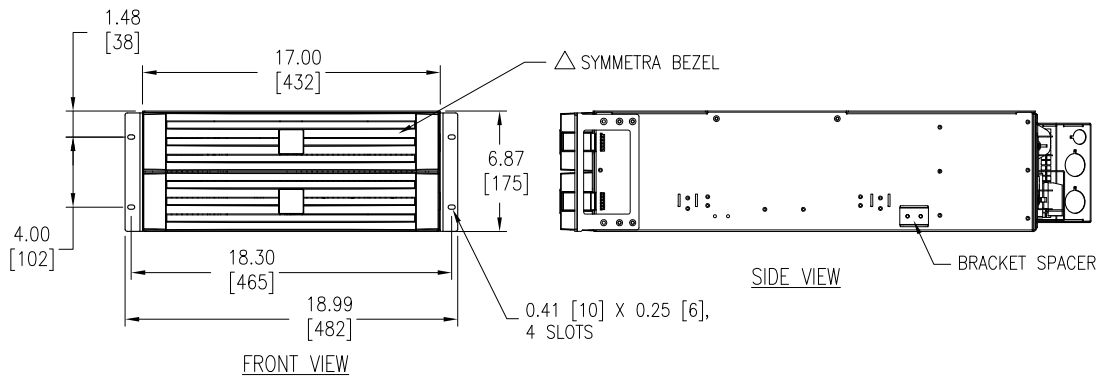
ENGINEER: K WHITE/B BUNGCAYAO 29-SEP-07 ANGLE

APPROVED BY: M TAVARES 29-SEP-07 PROJ

# RACK MOUNT CONFIGURATION



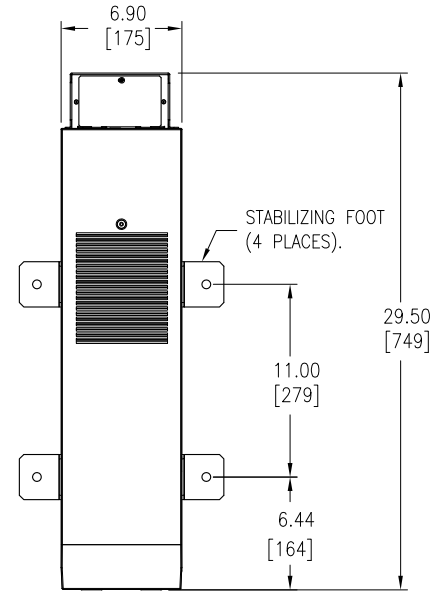
TOP VIEW



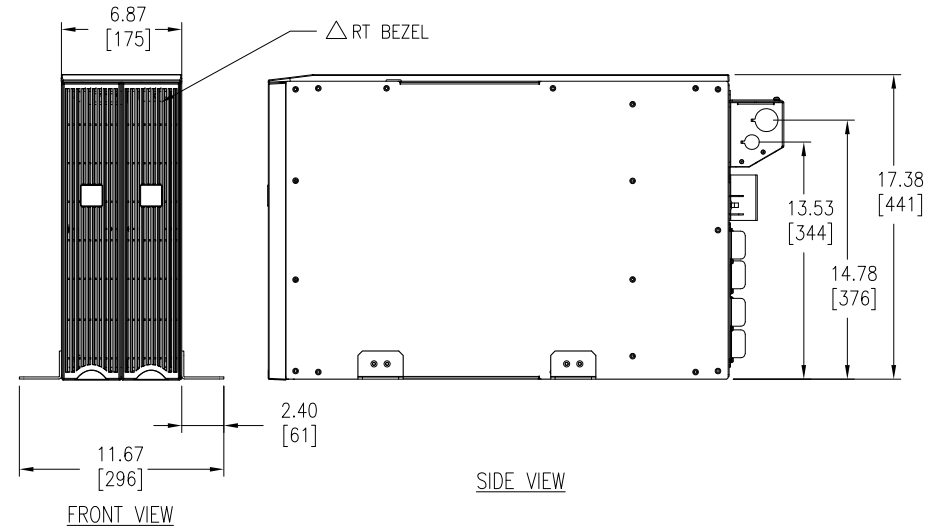
FRONT VIEW

SIDE VIEW

# TOWER MOUNT CONFIGURATION



TOP VIEW



FRONT VIEW

SIDE VIEW

**NOTES:**

1. INSTALLATION MUST COMPLY WITH ALL APPLICABLE NATIONAL AND LOCAL CODES.
2. SEE PRODUCT DOCUMENTATION FOR FURTHER INFORMATION PRIOR TO INSTALLATION.
3. ALL DIMENSIONS ARE IN INCHES [MILLIMETERS].
4. WEIGHT OF UNIT IS 220 LBS [100 kg].
- △ 5. UNIT SHIPPED WITH BOTH RT AND LYNX BEZELS.
6. EITHER SYMMETRA BEZELS OR RT BEZELS CAN BE USED FOR THIS OPTION.

THIS DRAWING AND SPECIFICATIONS HEREIN ARE THE PROPERTY OF SCHNEIDER ELECTRIC AND SHALL NOT BE COPIED, REPRODUCED OR USED IN WHOLE OR IN PART, AS THE BASIS FOR THE MANUFACTURE OR SALE OF ITEMS WITHOUT WRITTEN PERMISSION FROM SCHNEIDER ELECTRIC. THIS DRAWING IS BASED UPON LATEST AVAILABLE INFORMATION AND IS SUBJECT TO CHANGE WITHOUT NOTICE.



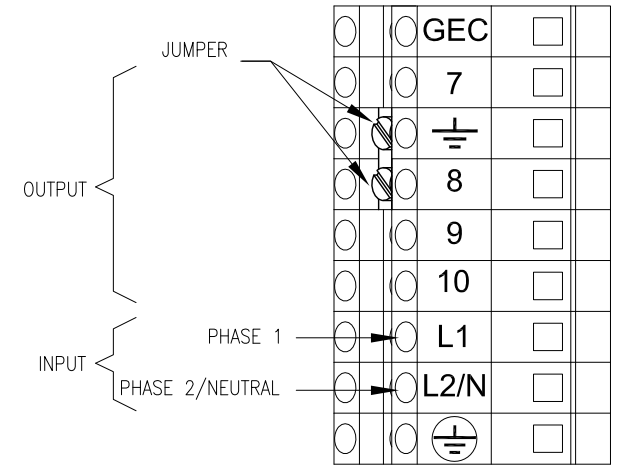
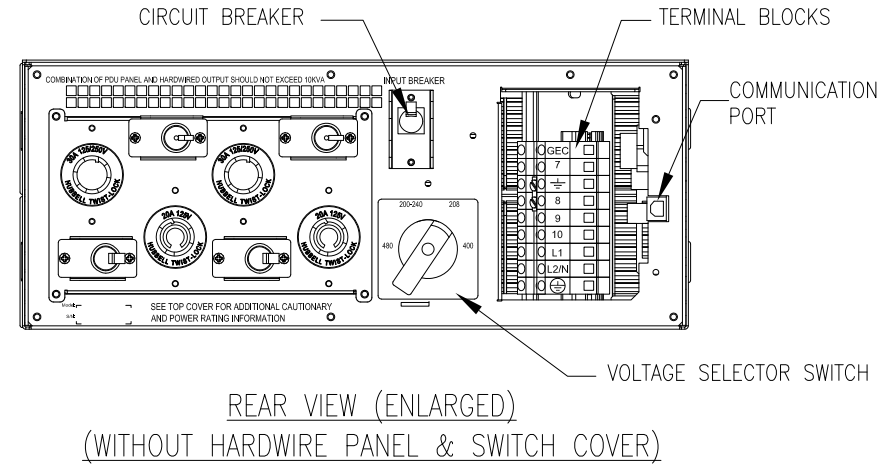
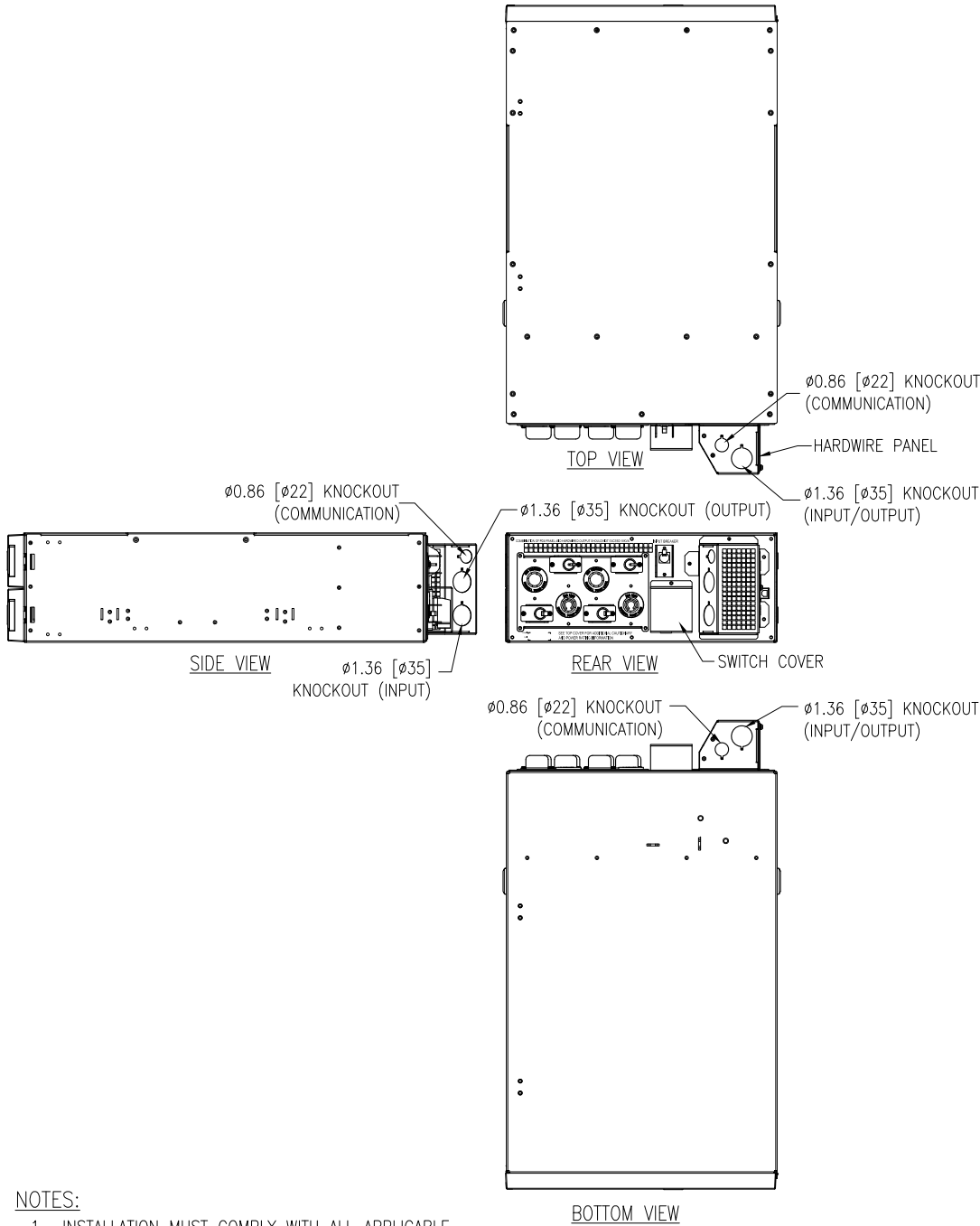
TITLE:  
STEP-DOWN TRANSFORMER  
INPUT: 208VAC, 1Ø OR 480VAC, 2Ø  
OUTPUT: 10kVA, 120VAC OR 208VAC  
MAIN MECHANICAL

PROJECT: STD SUBMITTAL DRAWINGS SHEET 2 OF 3

DWG NO: APTF10KT01-MM2 REV. 1

DRAWN BY: JAYAPRAKASH/S CUNHA	23-MAY-12	THIRD
ENGINEER: K WHITE/B BUNGCAYAO	29-SEP-07	ANGLE
APPROVED BY: M TAVARES	29-SEP-07	PROJ

# TYPICAL DETAILS FOR RACK MOUNT AND TOWER MOUNT CONFIGURATION



TERMINAL BLOCK CONNECTIONS FOR OUTPUT  
TORQUE REQUIRED IS 13.3 in-lbs [1.5 N-m]

INPUT NO OF PHASE	INPUT VOLTAGE (AC)		OUTPUT VOLTAGE AT 60A (10kVA UNITS) TERMINAL BLOCK CONNECTIONS			
	SWITCH POSITION	SWITCH CONTACTS (CLOSE POSITION)	7, 10	7, 9	8, 10	8, 7
SINGLE PHASE	200-240	1-2, 5-6, 13-14	200/240V	208V	100/120V	100/120V
	208V	3-4, 7-8, 13-14	240V	208V	120V	120V
TWO PHASE	400V	3-4, 11-12	220-240V	--	--	--
	480V	1-2, 9-10	240V	208V	120V	120V

## NOTES:

1. INSTALLATION MUST COMPLY WITH ALL APPLICABLE NATIONAL AND LOCAL CODES.
2. ALL DIMENSIONS ARE IN INCHES [MILLIMETERS].
3. SEE PRODUCT DOCUMENTATION FOR FURTHER INFORMATION PRIOR TO INSTALLATION.

THIS DRAWING AND SPECIFICATIONS HEREIN ARE THE PROPERTY OF SCHNEIDER ELECTRIC AND SHALL NOT BE COPIED, REPRODUCED OR USED IN WHOLE OR IN PART, AS THE BASIS FOR THE MANUFACTURE OR SALE OF ITEMS WITHOUT WRITTEN PERMISSION FROM SCHNEIDER ELECTRIC. THIS DRAWING IS BASED UPON LATEST AVAILABLE INFORMATION AND IS SUBJECT TO CHANGE WITHOUT NOTICE.

**Schneider Electric**

TITLE:  
STEP-DOWN TRANSFORMER  
INPUT: 208VAC, 1Ø OR 480VAC, 2Ø  
OUTPUT: 10kVA, 120VAC OR 208VAC  
REAR AND SECTION VIEWS

PROJECT: STD SUBMITTAL DRAWINGS SHEET 3 OF 3

DWG NO: APTF10KT01-MM3 REV. 1

DRAWN BY: JAYAPRAKASH/S CUNHA 23-MAY-12 THIRD ANGLE PROJ

ENGINEER: K WHITE/B BUNGAYAO 29-SEP-07

APPROVED BY: M TAVARES 29-SEP-07