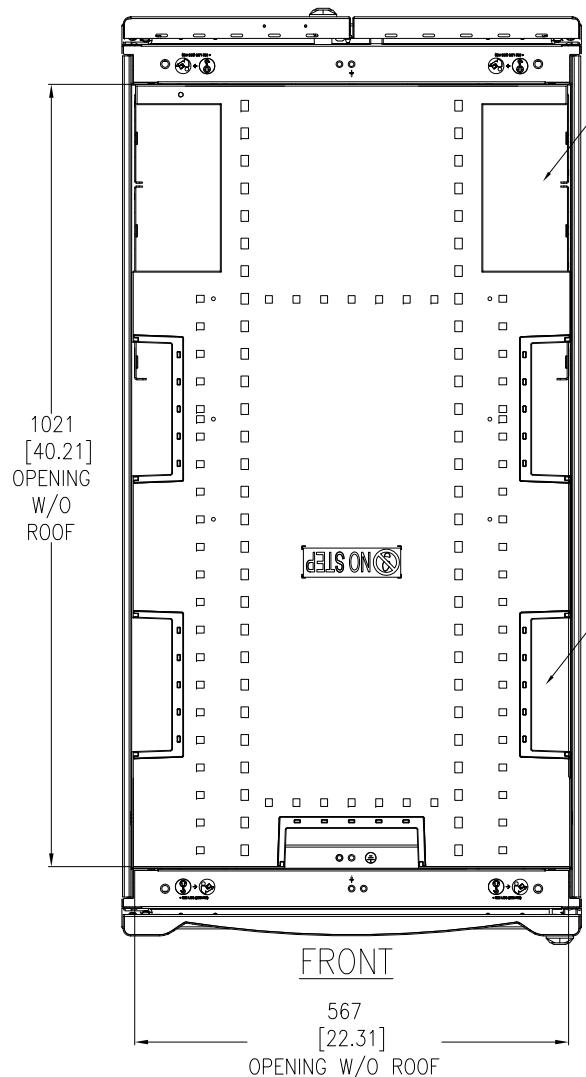


- NOTES:
1. INSTALLATION SHALL COMPLY WITH ALL APPLICABLE NATIONAL, STATE AND LOCAL ELECTRICAL REGULATIONS.
 2. REFER TO PRODUCT DOCUMENTATION FOR ADDITIONAL DETAILS PRIOR TO INSTALLATION AND SITE PREPARATION WORK.
 3. ALL DIMENSIONS ARE IN MILLIMETERS [INCHES].
 4. NET WEIGHT OF UNIT IS 149.55kg [329 lb].
 5. CABLE ENTRY IS TOP OR BOTTOM OF THE UNIT.
 6. FRONT AND REAR SERVICE ACCESS REQUIRED.
 7. AIR FLOW AND SERVICE REQUIREMENTS, AS WELL AS MINIMUM CLEARANCE TO FIRE SUPPRESSION SYSTEMS SHOULD BE CONSIDERED WHEN LOCATING THE ENCLOSURE.

THIS DRAWING AND SPECIFICATIONS HEREIN ARE THE PROPERTY OF SCHNEIDER ELECTRIC AND SHALL NOT BE COPIED, REPRODUCED OR USED IN WHOLE OR IN PART, AS THE BASIS FOR THE MANUFACTURE OR SALE OF ITEMS WITHOUT WRITTEN PERMISSION FROM SCHNEIDER ELECTRIC. THIS DRAWING IS BASED UPON LATEST AVAILABLE INFORMATION AND IS SUBJECT TO CHANGE WITHOUT NOTICE.



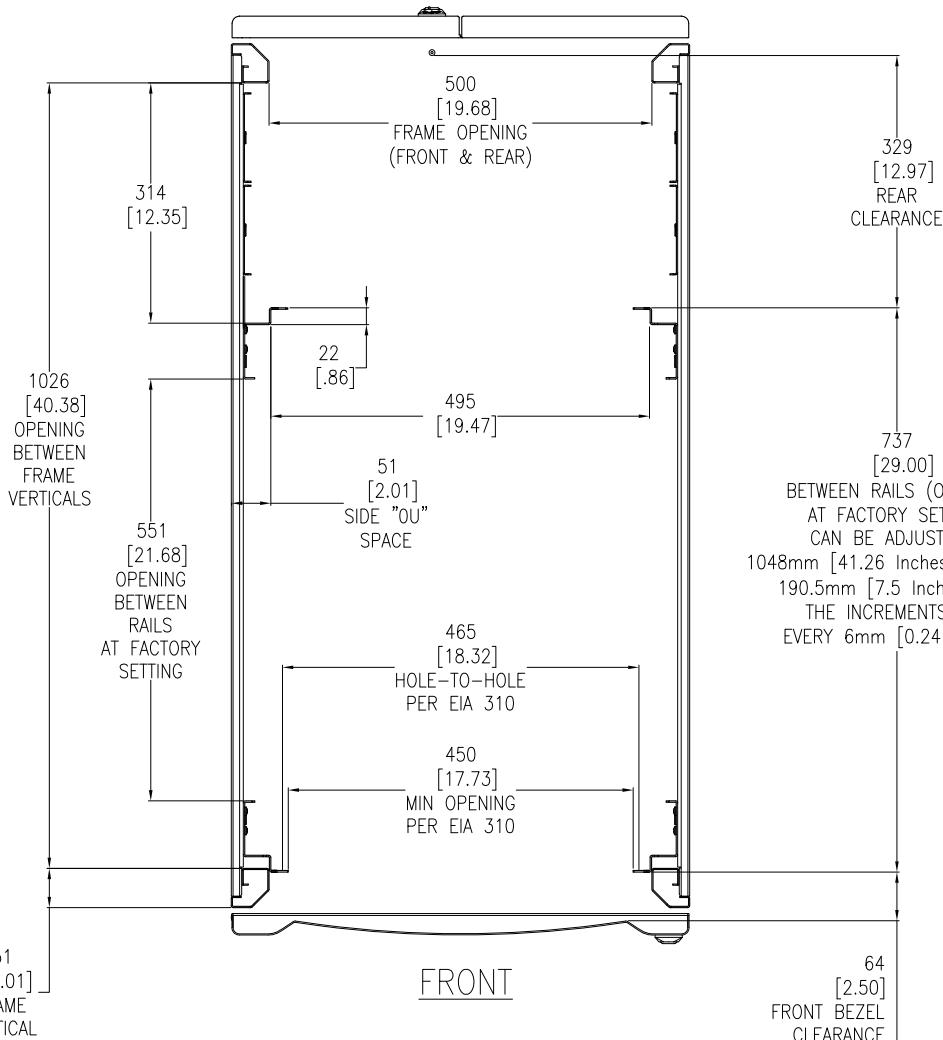
TITLE:	NetShelter SX 48U 600mm WIDE X 1200mm DEEP ENCLOSURE WITH SIDES GENERAL ARRANGEMENT	DWG NO:	AR3307	REV:	4
PROJECT:	SUBMITTAL DRAWINGS	SHEET:	1 OF 3	APPROVED BY:	GREG IVEY
DATE:	16-JUN-17	DATE:	16-JUN-17	DATE:	16-JUN-17
DRAWN BY:	JAYAPRAKASH	ENGINEER:	JIE ZHU	PROJECT:	ANGLE PROJECTION



TOP VIEW
CABLE OPENINGS
(COVERS REMOVED)

220 [8.66] x 117 [4.61]
OPENING (2 PLACES)
BRUSHES ARE INCLUDED
AT EACH OF THE 2
OPENINGS.

171 [6.73] x 51 [2.02]
OPENING (5 PLACES)
BRUSHES ARE INCLUDED
AT EACH OF THE 5
OPENINGS.



SECTION B-B
STANDARD POSITIONS FOR
MOUNTING RAILS AND
THEIR ADJUSTABILITY
(LOOKING DOWN)

737 [29.00]
BETWEEN RAILS (OUTSIDE)
AT FACTORY SETTING.
CAN BE ADJUSTED TO
1048mm [41.26 Inches] MAX. AND
190.5mm [7.5 Inches] MIN.
THE INCREMENTS ARE
EVERY 6mm [0.24 Inches]

64 [2.50]
FRONT BEZEL
CLEARANCE
CAN BE ADJUSTED TO
915mm [36.02 Inches] MAX. AND
57.8mm [2.28 Inches] MIN.
THE INCREMENTS
ARE EVERY 6mm [0.24 Inches]

- NOTES:
1. INSTALLATION SHALL COMPLY WITH ALL APPLICABLE NATIONAL, STATE AND LOCAL ELECTRICAL REGULATIONS.
 2. REFER TO PRODUCT DOCUMENTATION FOR ADDITIONAL DETAILS PRIOR TO INSTALLATION AND SITE PREPARATION WORK.
 3. ALL DIMENSIONS ARE IN MILLIMETERS [INCHES].

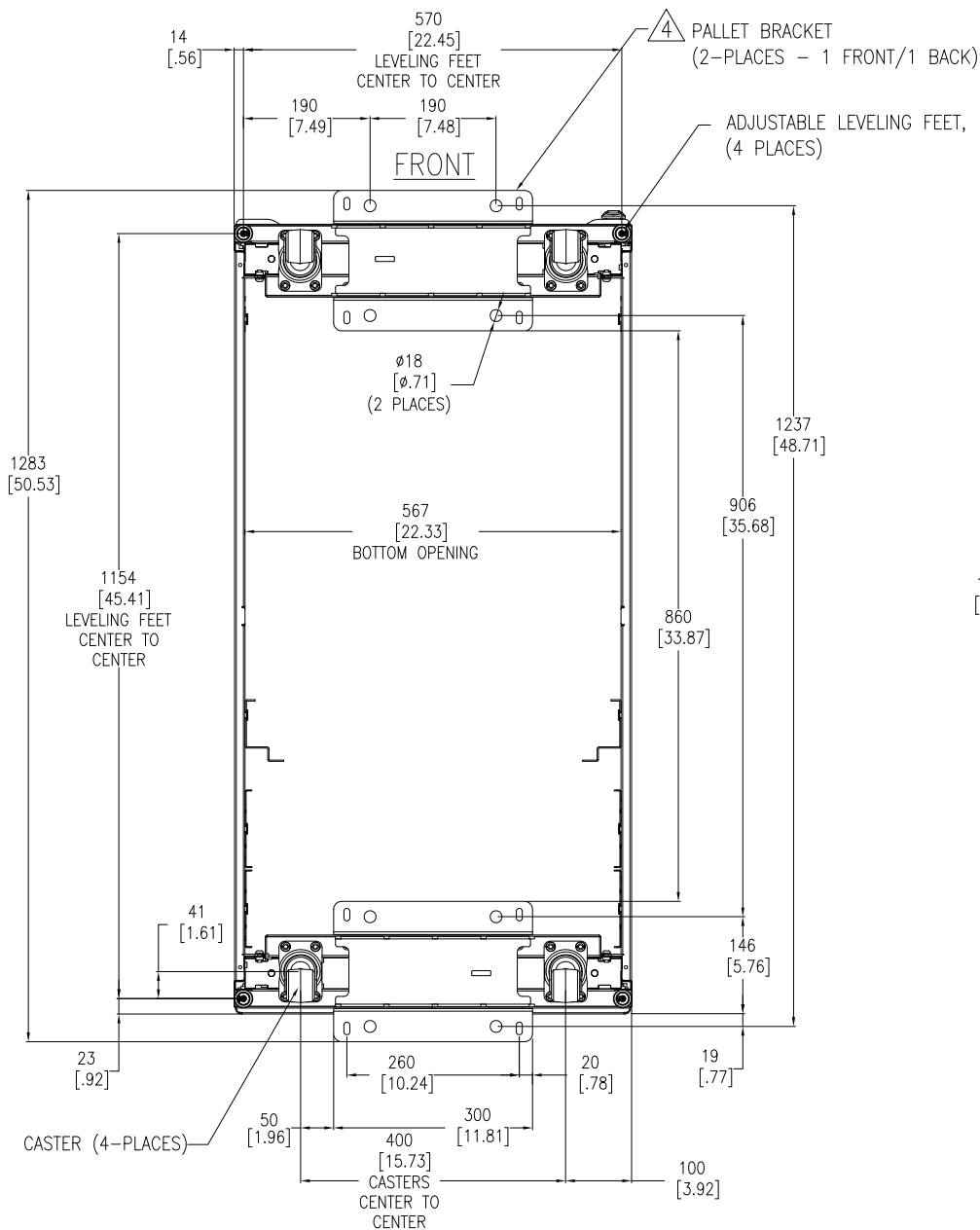
THIS DRAWING AND SPECIFICATIONS HEREIN ARE THE PROPERTY OF SCHNEIDER ELECTRIC AND SHALL NOT BE COPIED, REPRODUCED OR USED IN WHOLE OR IN PART, AS THE BASIS FOR THE MANUFACTURE OR SALE OF ITEMS WITHOUT WRITTEN PERMISSION FROM SCHNEIDER ELECTRIC. THIS DRAWING IS BASED UPON LATEST AVAILABLE INFORMATION AND IS SUBJECT TO CHANGE WITHOUT NOTICE.



TITLE: NetShelter SX 48U
600mm WIDE X 1200mm DEEP
ENCLOSURE WITH SIDES
TOP VIEW & SECTION VIEW
PROJECT: SUBMITTAL DRAWINGS SHEET 2 OF 3

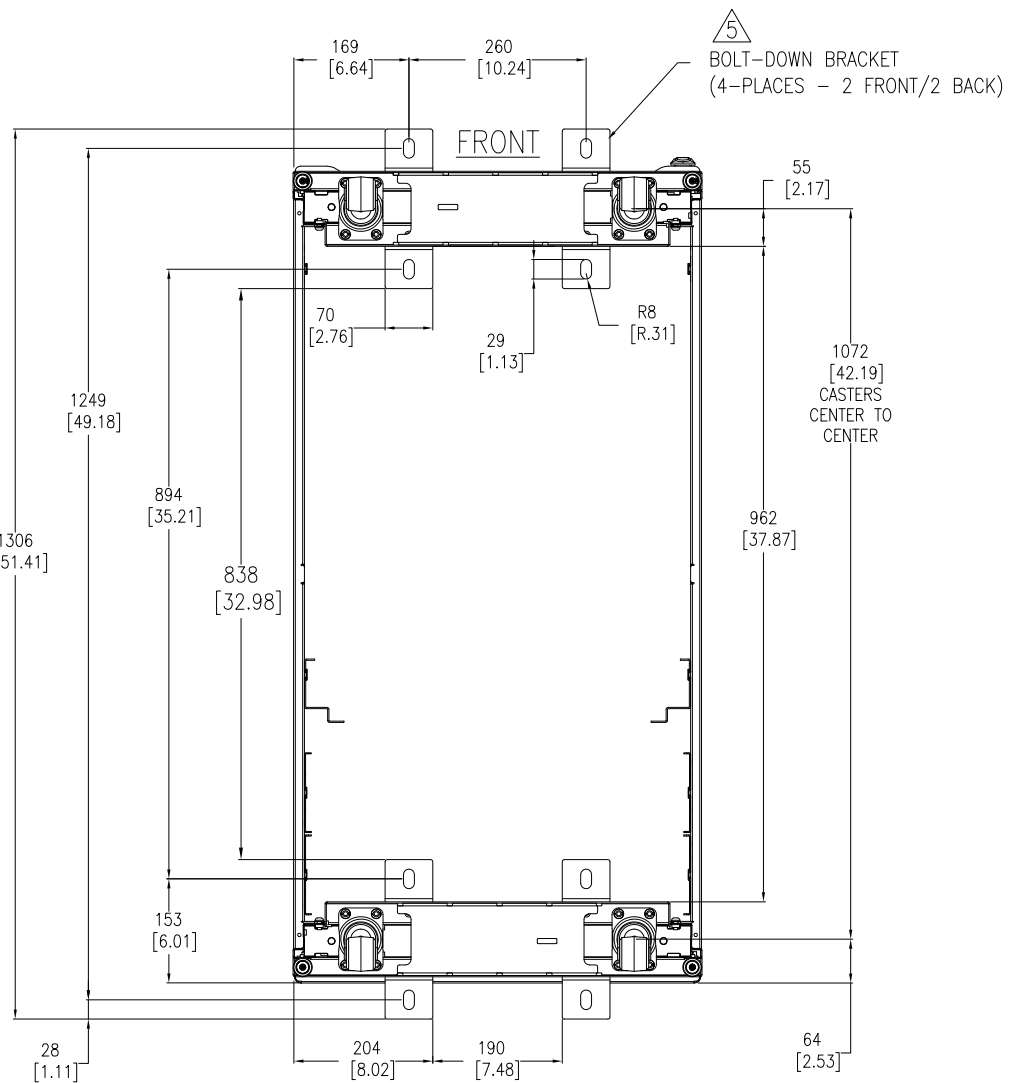
DWG NO:	AR3307	REV:	5
DRAWN BY:	JAYAPRAKASH	DATE:	16-JUN-17
ENGINEER:	JIE ZHU	DATE:	16-JUN-17
APPROVED BY:	GREG MEY	DATE:	16-JUN-17

FIRST ANGLE PROJECTION



BOTTOM VIEW

(WITH PALLET BRACKETS, CAN BE USED FOR ANCHORING)
TOP ROOF NOT SHOWN



BOTTOM VIEW

(WITH OPTIONAL BOLT-DOWN BRACKETS FOR ANCHORING)
TOP ROOF NOT SHOWN

NOTES:

1. INSTALLATION SHALL COMPLY WITH ALL APPLICABLE NATIONAL, STATE AND LOCAL ELECTRICAL REGULATIONS.
2. REFER TO PRODUCT DOCUMENTATION FOR ADDITIONAL DETAILS PRIOR TO INSTALLATION AND SITE PREPARATION WORK.
3. ALL DIMENSIONS ARE IN MILLIMETERS [INCHES].
- △ 4. ANCHORING CAN BE INSTALLED EITHER INSIDE OR OUTSIDE THE NetShelter WITH ONE AT FRONT AND ONE IN BACK.
- △ 5. BOLT-DOWN KIT (SKU# AR7701) IS OPTIONAL AND HAS TO BE ORDERED SEPARATELY.

THIS DRAWING AND SPECIFICATIONS HEREIN ARE THE PROPERTY OF SCHNEIDER ELECTRIC AND SHALL NOT BE COPIED, REPRODUCED OR USED IN WHOLE OR IN PART, AS THE BASIS FOR THE MANUFACTURE OR SALE OF ITEMS WITHOUT WRITTEN PERMISSION FROM SCHNEIDER ELECTRIC. THIS DRAWING IS BASED UPON LATEST AVAILABLE INFORMATION AND IS SUBJECT TO CHANGE WITHOUT NOTICE.



TITLE: NetShelter SX 48U
600mm WIDE X 1200mm DEEP
ENCLOSURE WITH SIDES
BOTTOM VIEWS

DWG NO:	AR3307	REV:	4
DRAWN BY:	JAYAPRAKASH	16-JUN-17	FIRST
ENGINEER:	JIE ZHU	16-JUN-17	ANGLE
APPROVED BY:	GREG IVEY	16-JUN-17	PROJECTION