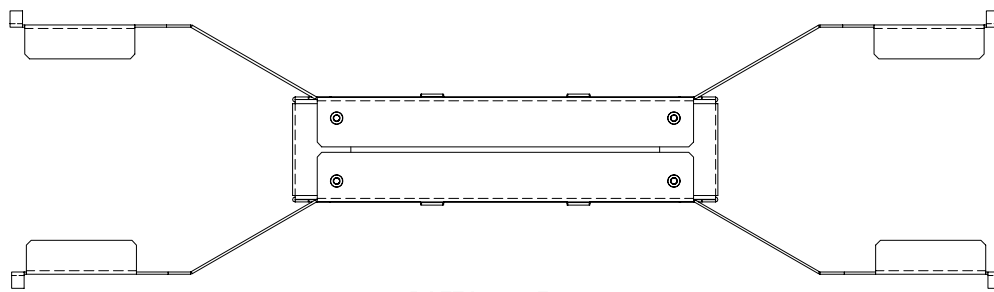
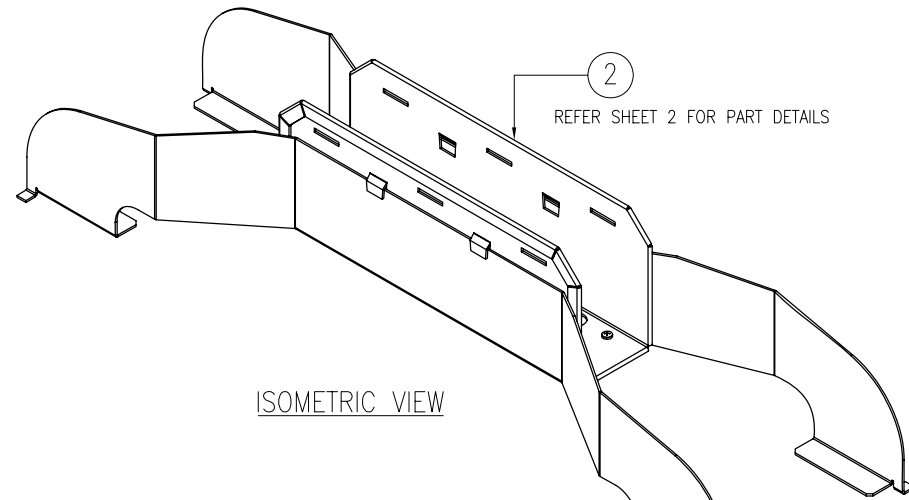


ASSEMBLY



BOTTOM VIEW



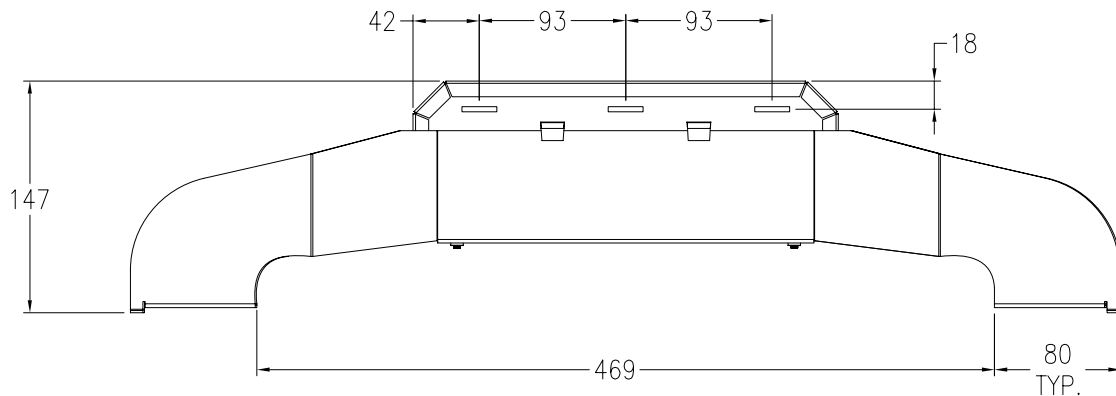
ISOMETRIC VIEW

2

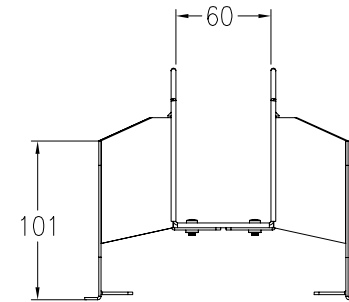
REFER SHEET 2 FOR PART DETAILS

1

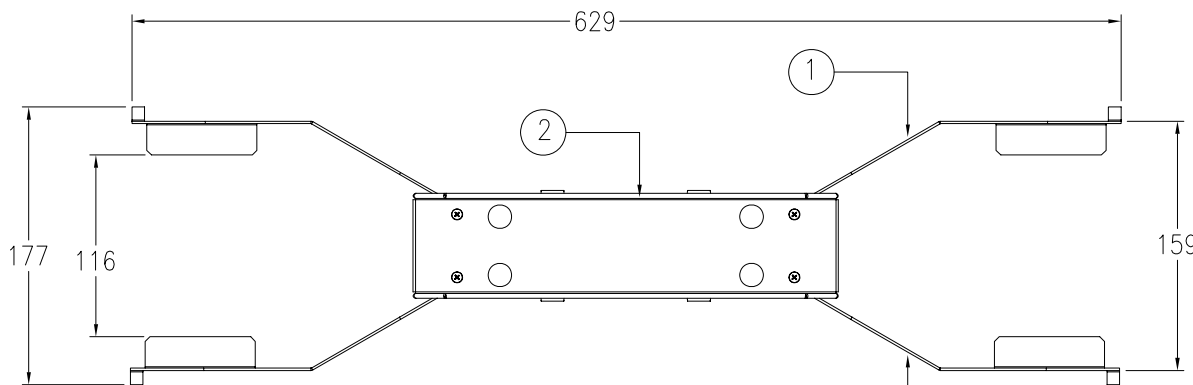
REFER SHEET 2 FOR PART DETAILS



FRONT VIEW



SIDE VIEW



TOP VIEW

NOTES:

1. ALL DIMENSIONS ARE IN MILLIMETERS.
2. WEIGHT OF UNIT IS 2.27 kg.
3. INSTALLATION MUST COMPLY WITH ALL APPLICABLE NATIONAL AND LOCAL ELECTRICAL REGULATIONS.

THIS DRAWING AND SPECIFICATIONS HEREIN ARE THE PROPERTY OF AMERICAN POWER CONVERSION AND SHALL NOT BE COPIED, REPRODUCED OR USED IN WHOLE OR IN PART, AS THE BASIS FOR THE MANUFACTURE OR SALE OF ITEMS WITHOUT WRITTEN PERMISSION FROM APC. THIS DRAWING IS BASED UPON LATEST AVAILABLE INFORMATION AND IS SUBJECT TO CHANGE WITHOUT NOTICE.

TITLE: InfraStruXure InRow SC
CABLE SUPPORT BRIDGE TROUGH
POWER AND DATA CABLES
ASSEMBLY

DWG NO: ACAC10021-MM2 REV. 1

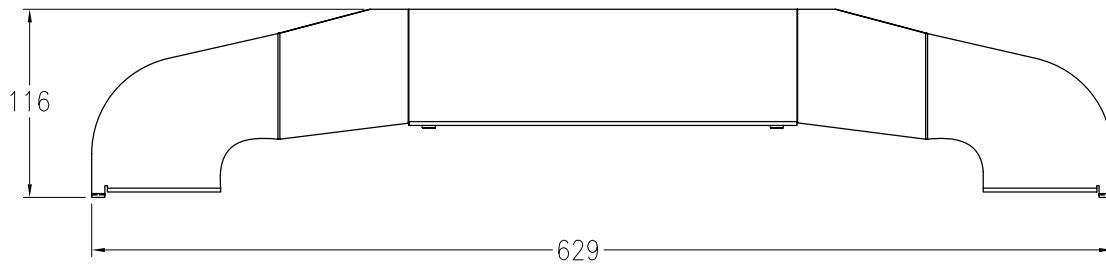
DRAWN:	JAYAPRAKASH	11/12/06
DESIGN ENG:	D.LINGREY/F.SYED	11/12/06
APPS ENG:	C.CUMMISKEY/C.ZALDIVAR	11/12/06

PROJECTION

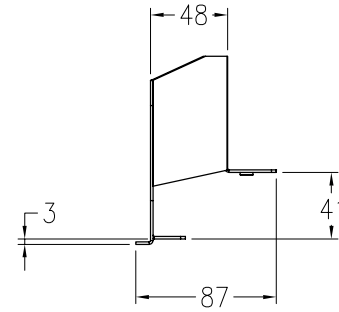


PART-1 DETAILS

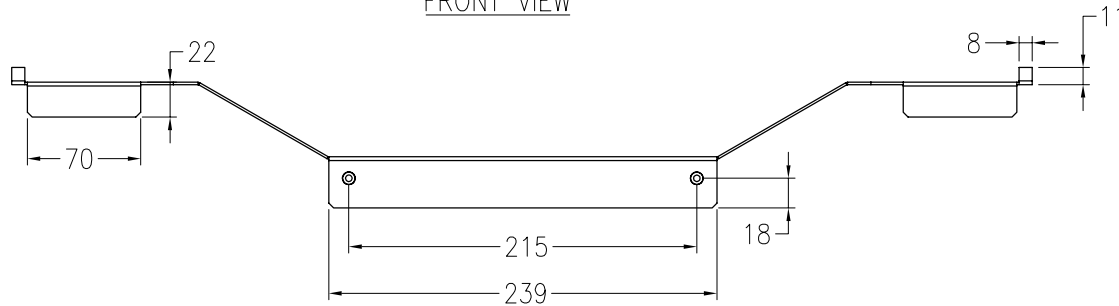
(QTY.- 2Nos)



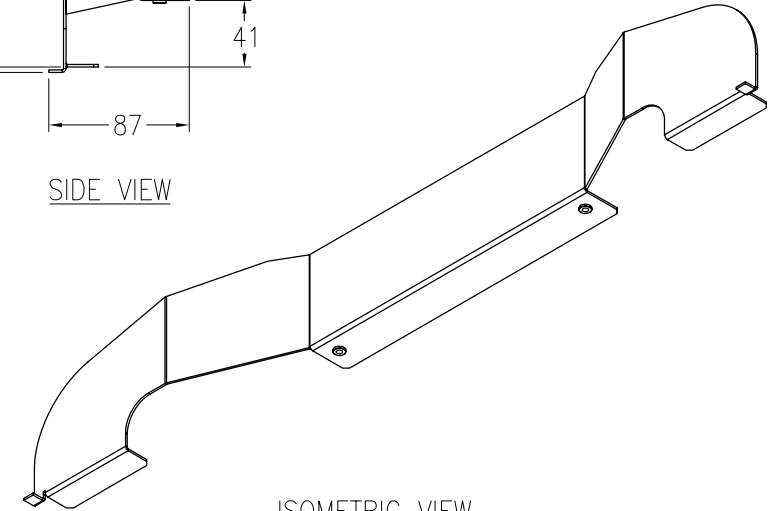
FRONT VIEW



SIDE VIEW



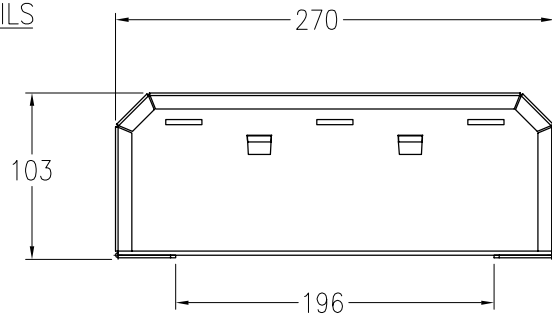
TOP VIEW



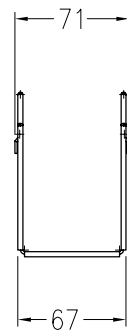
ISOMETRIC VIEW

PART-2 DETAILS

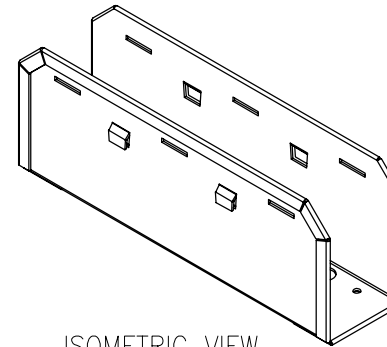
(QTY.- 1No.)



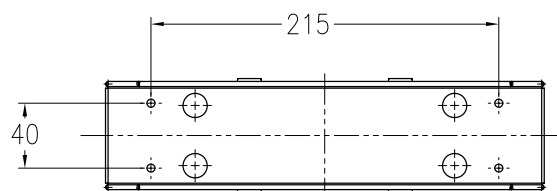
FRONT VIEW



SIDE VIEW



ISOMETRIC VIEW



TOP VIEW

NOTES:

1. ALL DIMENSIONS ARE IN MILLIMETERS.
2. INSTALLATION MUST COMPLY WITH ALL APPLICABLE NATIONAL AND LOCAL ELECTRICAL REGULATIONS.

THIS DRAWING AND SPECIFICATIONS HEREIN ARE THE PROPERTY OF AMERICAN POWER CONVERSION AND SHALL NOT BE COPIED, REPRODUCED OR USED IN WHOLE OR IN PART, AS THE BASIS FOR THE MANUFACTURE OR SALE OF ITEMS WITHOUT WRITTEN PERMISSION FROM APC. THIS DRAWING IS BASED UPON LATEST AVAILABLE INFORMATION AND IS SUBJECT TO CHANGE WITHOUT NOTICE.

TITLE: InfraStruXure InRow SC
CABLE SUPPORT BRIDGE TROUGH
POWER AND DATA CABLES
PART DETAILS

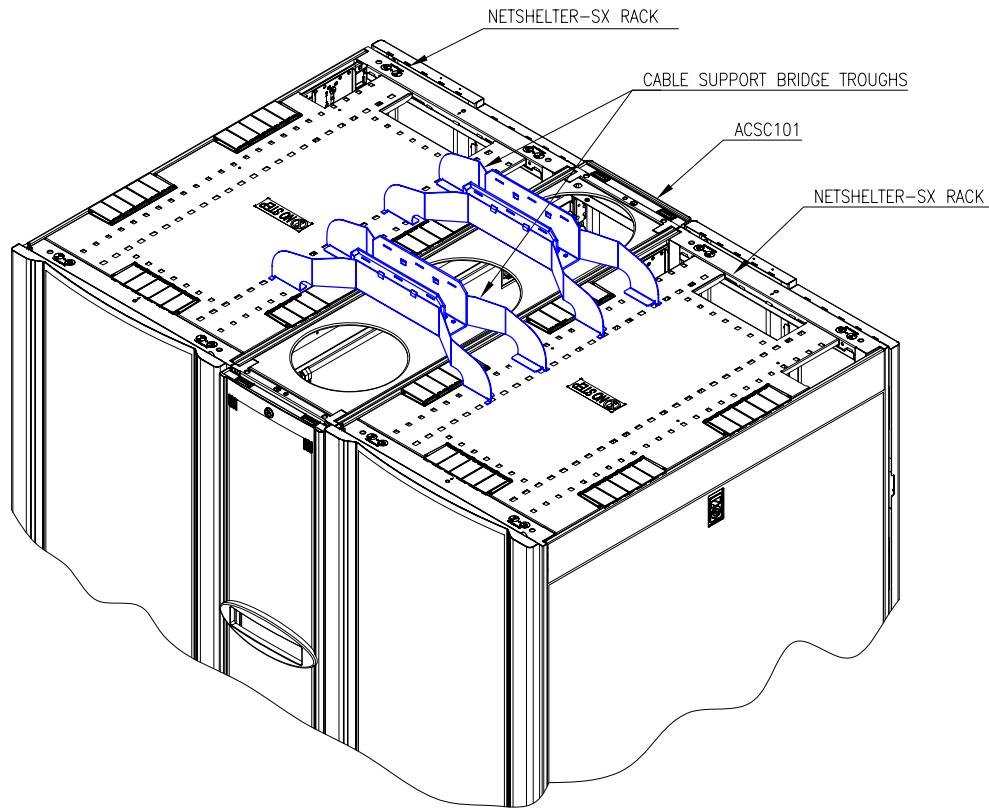
DWG NO: ACAC10021-MM1

REV. 1

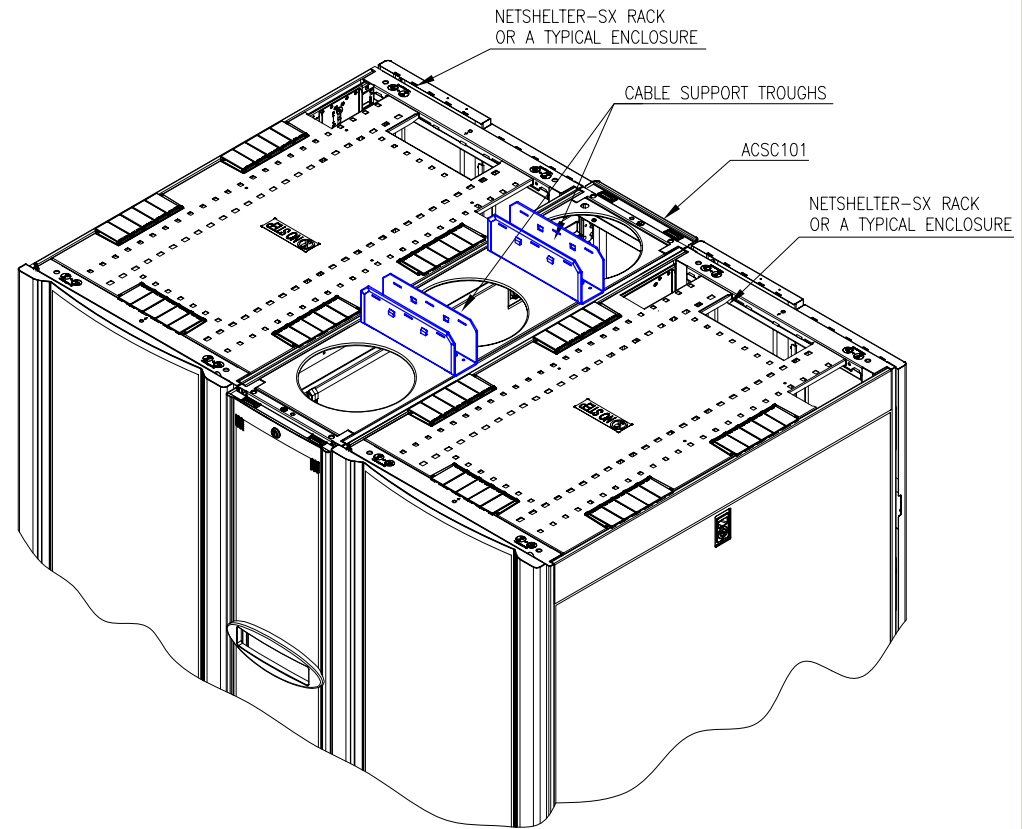
DRAWN:	JAYAPRAKASH	11/12/06
DESIGN ENG:	D.LINGREY/F.SYED	11/12/06
APPS ENG:	C.CUMMISKEY/C.ZALDIVAR	11/12/06



TYPICAL BRIDGE APPLICATION OF CABLE SUPPORT BRIDGE TROUGH



TYPICAL NON-BRIDGE APPLICATION OF CABLE SUPPORT TROUGH



NOTES:

1. FOR INSTRUCTIONS PLEASE REFER TO APC INSTALLATION MANUAL 990-2482.
2. INSTALLATION MUST COMPLY WITH ALL APPLICABLE NATIONAL AND LOCAL ELECTRICAL REGULATIONS.

THIS DRAWING AND SPECIFICATIONS HEREIN ARE THE PROPERTY OF AMERICAN POWER CONVERSION AND SHALL NOT BE COPIED, REPRODUCED OR USED IN WHOLE OR IN PART, AS THE BASIS FOR THE MANUFACTURE OR SALE OF ITEMS WITHOUT WRITTEN PERMISSION FROM APC. THIS DRAWING IS BASED UPON LATEST AVAILABLE INFORMATION AND IS SUBJECT TO CHANGE WITHOUT NOTICE.

TITLE: InfraStruXure InRow SC
CABLE SUPPORT BRIDGE TROUGH
POWER AND DATA CABLES
TYPICAL APPLICATION

DWG NO: ACAC10021-MM3 REV. 1

DRAWN: JAYAPRAKASH 11/12/06

DESIGN ENG: D.LINGREY/F.SYED 11/12/06

APPS ENG: C.CUMMISKEY/C.ZALDIVAR 11/12/06

PROJECTION

