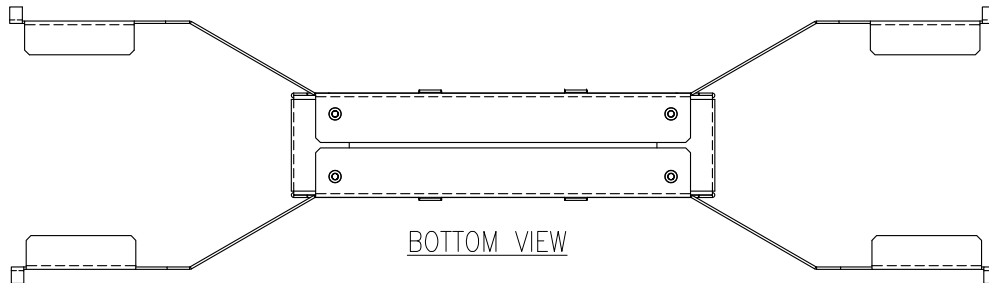
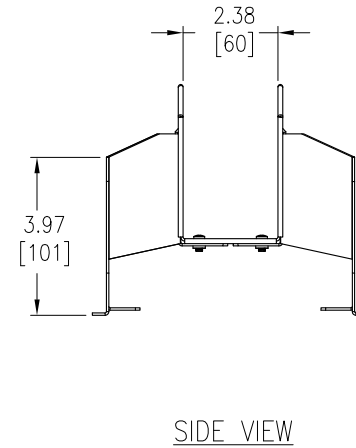
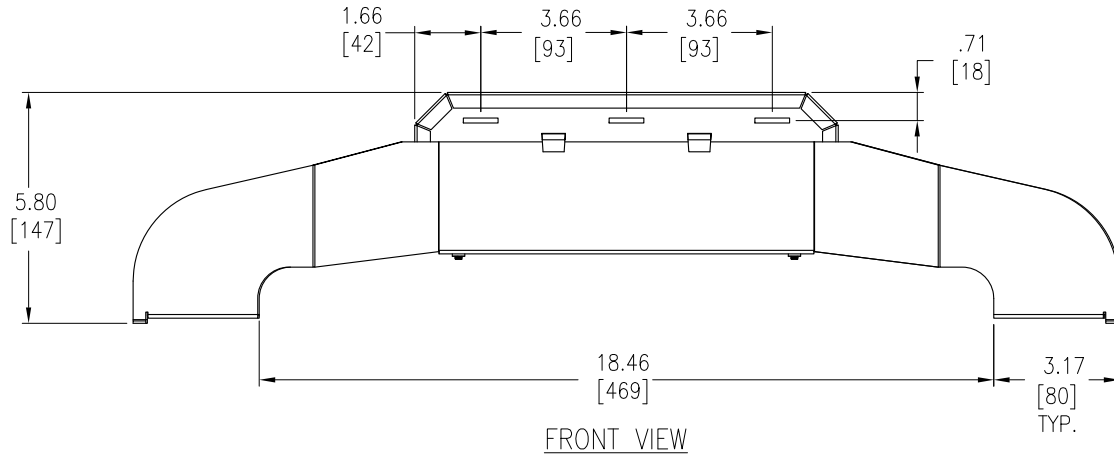
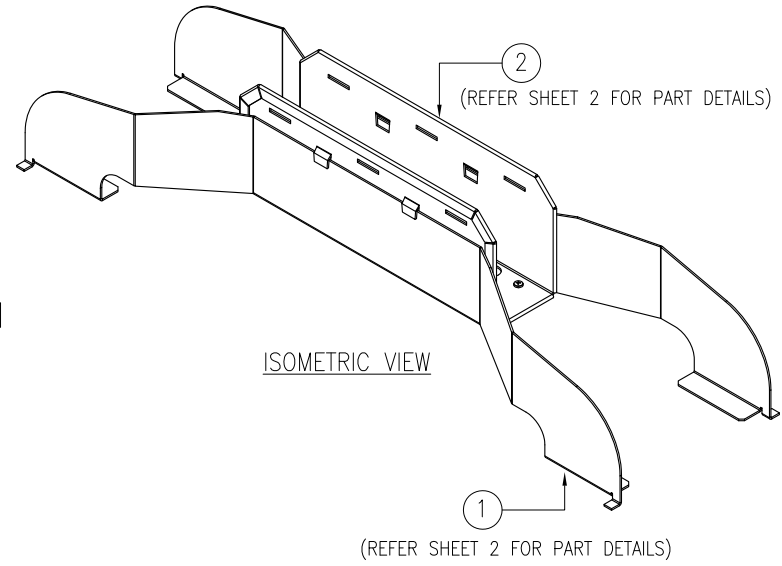
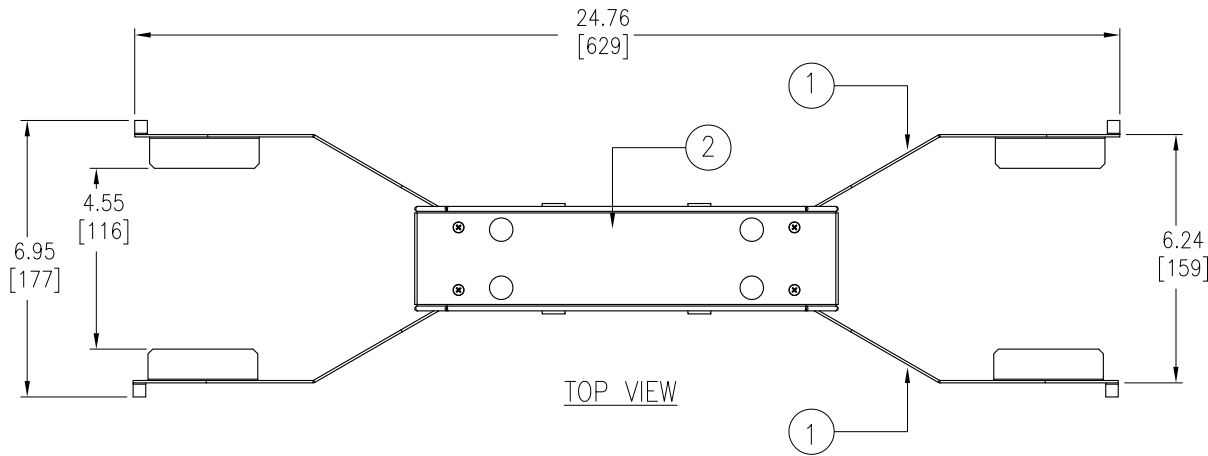


ASSEMBLY



NOTES:

1. INSTALLATION SHALL COMPLY WITH ALL APPLICABLE NATIONAL, STATE AND LOCAL CODES.
2. SEE PRODUCT DOCUMENTATION FOR FURTHER INFORMATION
3. UNLESS OTHERWISE SPECIFIED, ALL DIMENSIONS ARE IN INCHES[MILLIMETERS].
4. WEIGHT OF UNIT IS 5 LBS [2.27 KG].

THIS DRAWING AND SPECIFICATIONS HEREIN ARE THE PROPERTY OF SCHNEIDER ELECTRIC AND SHALL NOT BE COPIED, REPRODUCED OR USED IN WHOLE OR IN PART, AS THE BASIS FOR THE MANUFACTURE OR SALE OF ITEMS WITHOUT WRITTEN PERMISSION FROM SCHNEIDER ELECTRIC. THIS DRAWING IS BASED UPON LATEST AVAILABLE INFORMATION AND IS SUBJECT TO CHANGE WITHOUT NOTICE.

Schneider Electric

TITLE: InfraStruXure
INROW SC
CABLE SUPPORT BRIDGE TROUGH
POWER AND DATA CABLES
MAIN MECHANICAL

PROJECT: STD SUBMITTAL DRAWINGS SHEET 1 OF 3

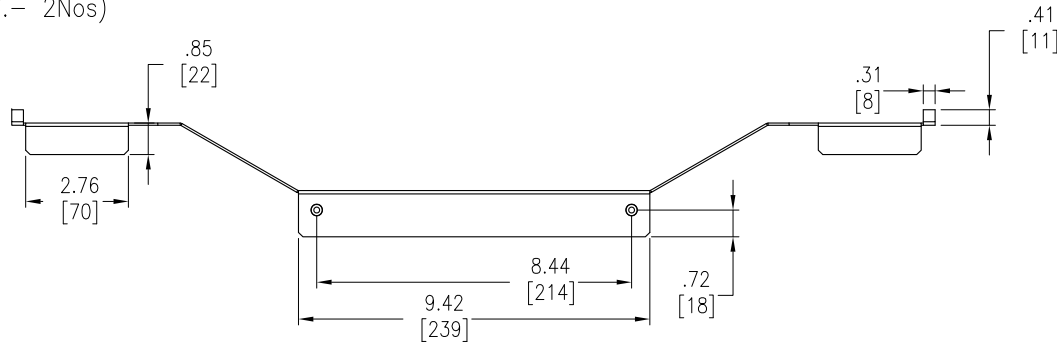
DWG NO: ACAC10021-MM1

REV. 2
DRAWN BY: V BUSH 29-SEP-10
ENGINEER: D LINGREY/F SYED 29-SEP-10
APPROVED BY: C CUMMISKEY/C ZALDVAR 29-SEP-10

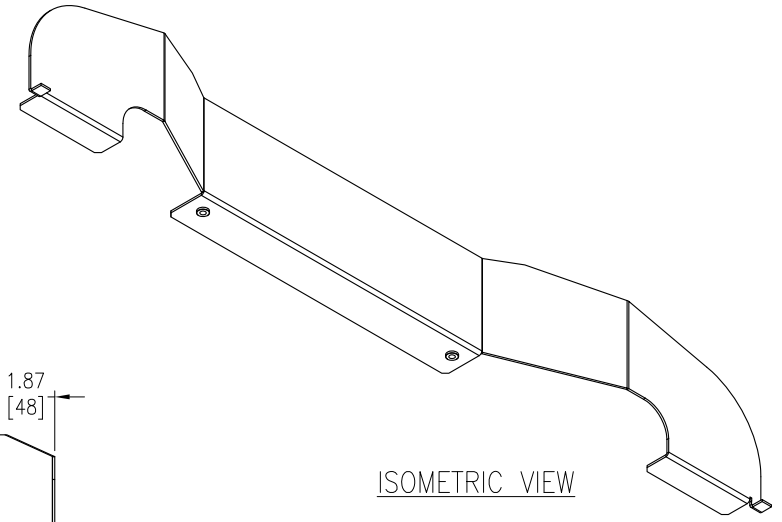
THIRD
ANGLE
PROJ

PART-1 DETAILS

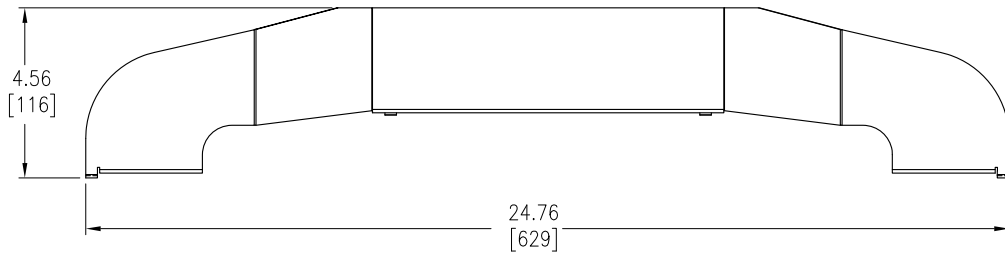
(QTY.- 2Nos)



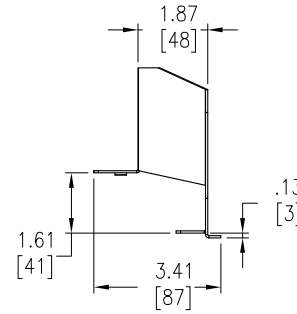
TOP VIEW



ISOMETRIC VIEW



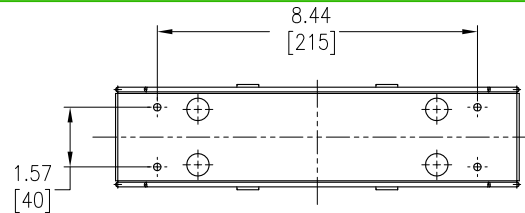
FRONT VIEW



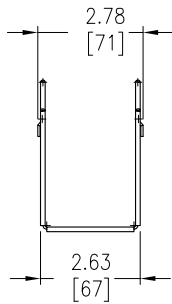
SIDE VIEW

PART-2 DETAILS

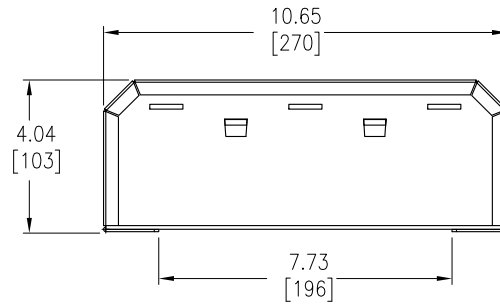
(QTY.- 1No.)



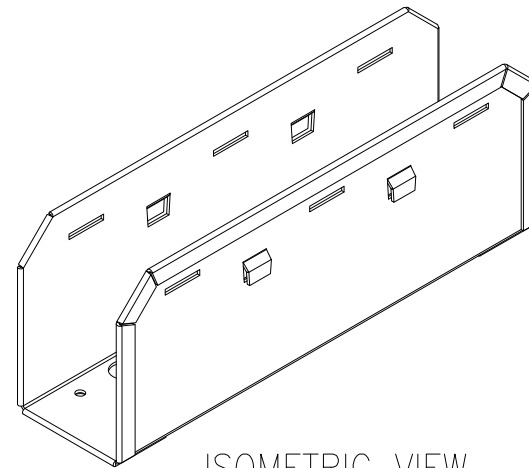
TOP VIEW



SIDE VIEW



FRONT VIEW



ISOMETRIC VIEW

NOTES:

1. INSTALLATION SHALL COMPLY WITH ALL APPLICABLE NATIONAL, STATE AND LOCAL CODES.
2. SEE PRODUCT DOCUMENTATION FOR FURTHER INFORMATION
3. UNLESS OTHERWISE SPECIFIED, ALL DIMENSIONS ARE IN INCHES[MILLIMETERS].

THIS DRAWING AND SPECIFICATIONS HEREIN ARE THE PROPERTY OF SCHNEIDER ELECTRIC AND SHALL NOT BE COPIED, REPRODUCED OR USED IN WHOLE OR IN PART, AS THE BASIS FOR THE MANUFACTURE OR SALE OF ITEMS WITHOUT WRITTEN PERMISSION FROM SCHNEIDER ELECTRIC. THIS DRAWING IS BASED UPON LATEST AVAILABLE INFORMATION AND IS SUBJECT TO CHANGE WITHOUT NOTICE.



TITLE: InfraStruXure
INROW SC
CABLE SUPPORT BRIDGE TROUGH
POWER AND DATA CABLES
PART DETAILS

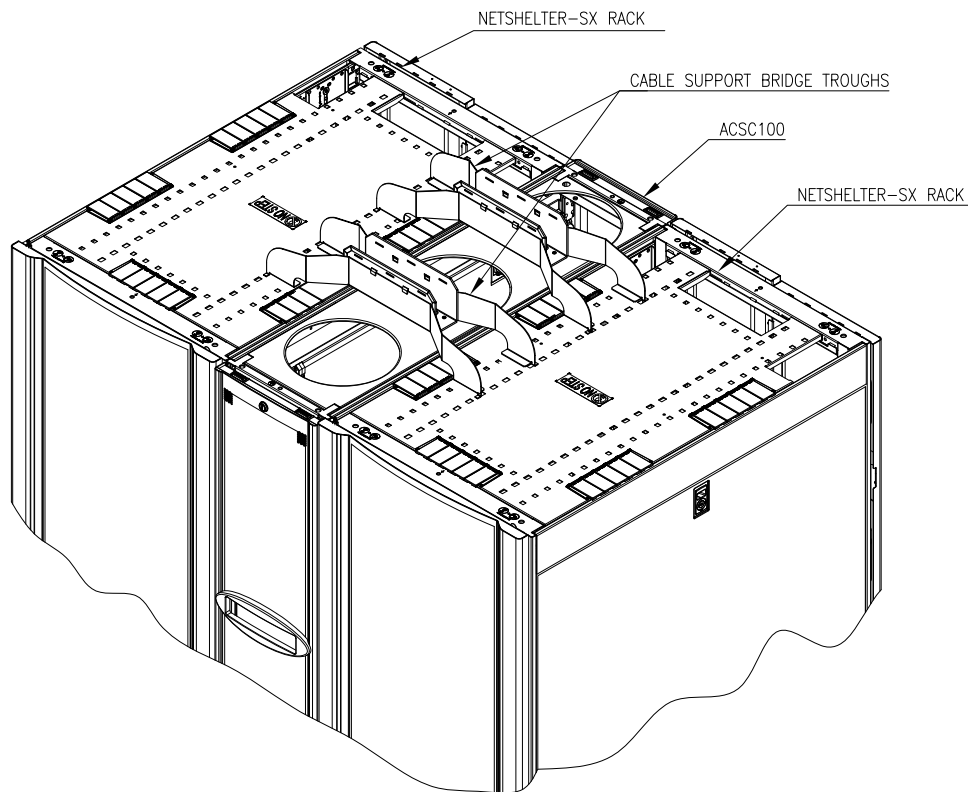
PROJECT: STD SUBMITTAL DRAWINGS SHEET 2 OF 3

DWG NO: ACAC10021-MM2

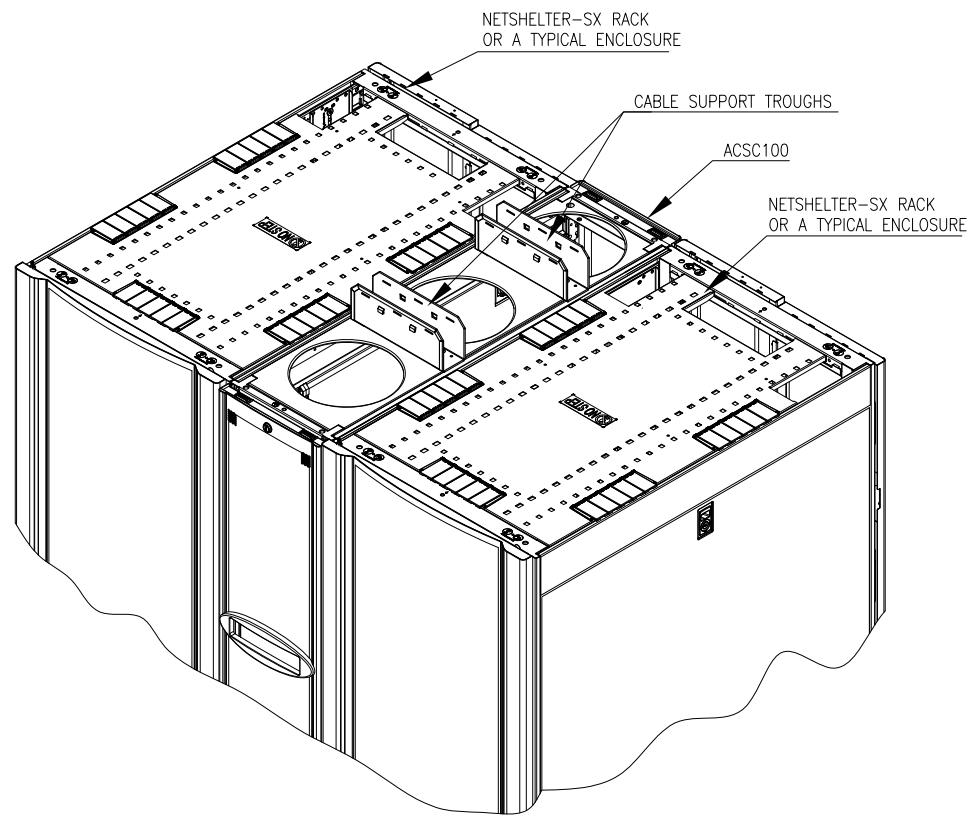
DRAWN BY: V BUSH	29-SEP-10
ENGINEER: D LINGREY/F SYED	29-SEP-10
APPROVED BY: C CUMMISKEY/C ZALDVAR	29-SEP-10

REV. 2
THIRD
ANGLE
PROJ

TYPICAL BRIDGE APPLICATION OF CABLE SUPPORT BRIDGE TROUGH



TYPICAL NON-BRIDGE APPLICATION OF CABLE SUPPORT TROUGH



NOTES:

1. INSTALLATION SHALL COMPLY WITH ALL APPLICABLE NATIONAL, STATE AND LOCAL CODES.
2. SEE PRODUCT DOCUMENTATION FOR FURTHER INFORMATION
3. FOR INSTRUCTIONS PLEASE REFER TO APC INSTALLATION MANUAL 990-2482.

THIS DRAWING AND SPECIFICATIONS HEREIN ARE THE PROPERTY OF SCHNEIDER ELECTRIC AND SHALL NOT BE COPIED, REPRODUCED OR USED IN WHOLE OR IN PART, AS THE BASIS FOR THE MANUFACTURE OR SALE OF ITEMS WITHOUT WRITTEN PERMISSION FROM SCHNEIDER ELECTRIC. THIS DRAWING IS BASED UPON LATEST AVAILABLE INFORMATION AND IS SUBJECT TO CHANGE WITHOUT NOTICE.



TITLE: InfraStruXure
INROW SC
CABLE SUPPORT BRIDGE TROUGH
POWER AND DATA CABLES
TYPICAL APPLICATION
PROJECT: STD SUBMITTAL DRAWINGS SHEET 3 OF 3

DWG NO: ACAC10021-MM3
DRAWN BY: V BUSH 29-SEP-10
ENGINEER: D LINGREY/F SYED 29-SEP-10
APPROVED BY: C CUMMISKEY/C ZALDVAR 29-SEP-10

REV. 2
THIRD ANGLE PROJ