

NOTES:

1. ALL DIMENSIONS ARE IN INCHES [MILLIMETERS].
2. NET WEIGHT IS 21.7 LBS [9.86 kg]
3. LENGTH OF THE CORD IS 120 INCHES [3050 mm].
4. UNIVERSAL MOUNTING BRACKET IS AN ALTERNATIVE MOUNTING METHOD TO THE TOOLLESS MOUNT FOR NON APC RACKS.
5. BRACKET KITS TO MOUNT TO SPECIFIC COMPETITORS RACKS ARE AVAILABLE AS OPTIONS.
6. INSTALLATION MUST COMPLY WITH ALL APPLICABLE NATIONAL AND LOCAL CODES.

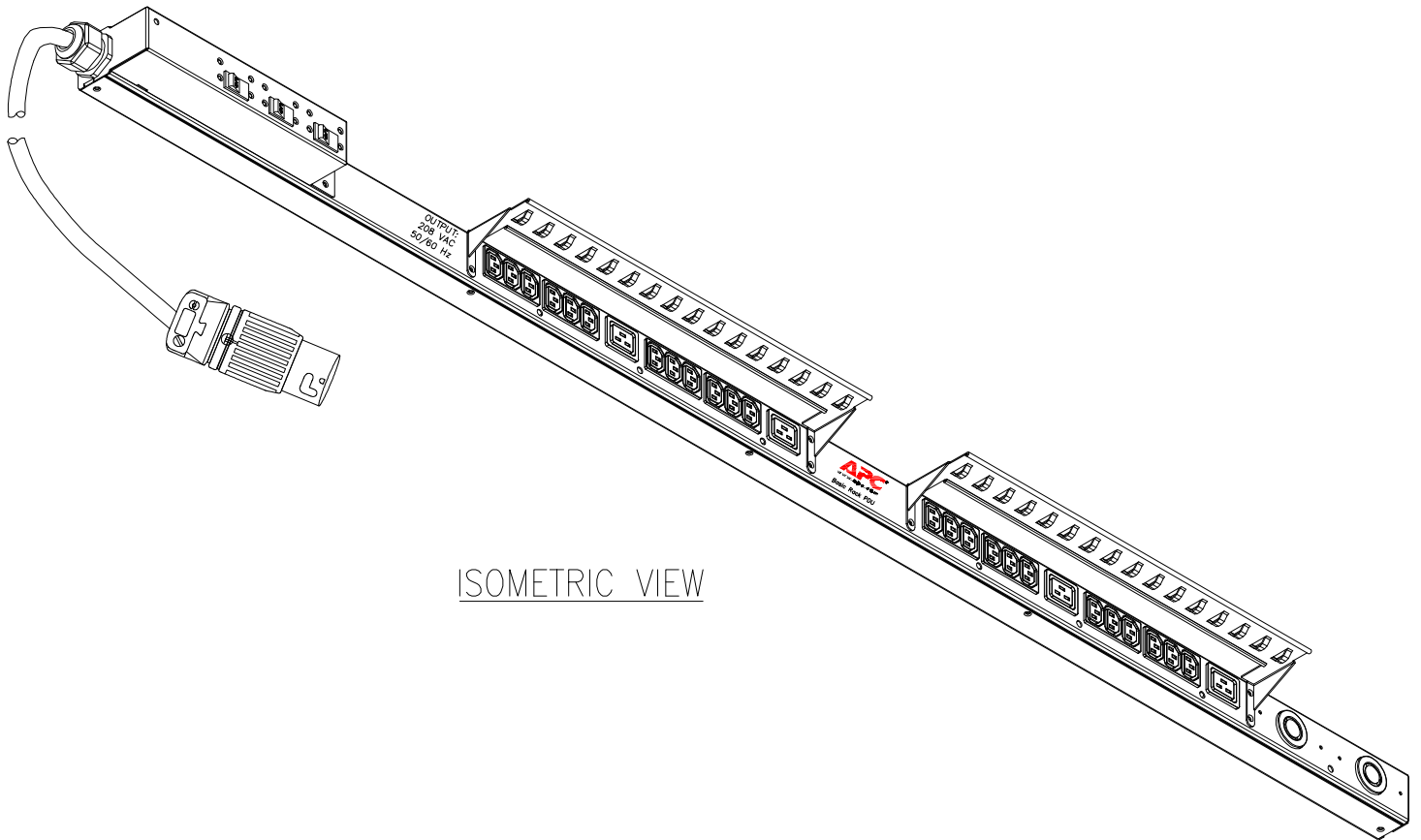
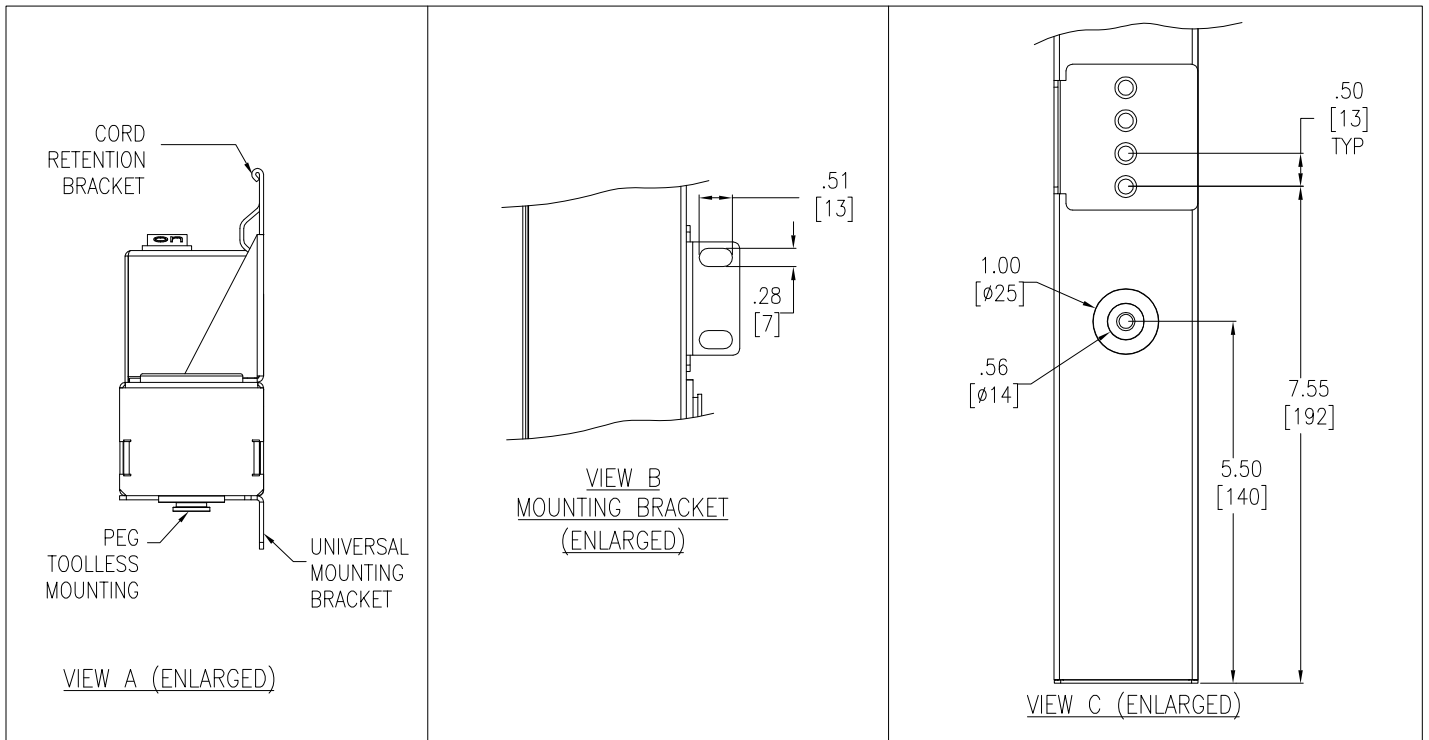
THIS DRAWING AND SPECIFICATIONS HEREIN ARE THE PROPERTY OF AMERICAN POWER CONVERSION AND SHALL NOT BE COPIED, REPRODUCED OR USED IN WHOLE OR IN PART, AS THE BASIS FOR THE MANUFACTURE OR SALE OF ITEMS WITHOUT WRITTEN PERMISSION FROM APC. THIS DRAWING IS BASED UPON LATEST AVAILABLE INFORMATION AND IS SUBJECT TO CHANGE WITHOUT NOTICE.

TITLE:	RACK PDU, BASIC ZERO U, 14.4kW, 208V, INPUT: CS8365C OUTPUT: (24)IEC 320 C13, (4)IEC 320 C19 AND (2) NEMA L6-30R MAIN MECHANICAL
PROJECT:	SUBMITTAL DRAWING
SHEET 1 OF 2	

DWG NO:	AP7599-MM1	REV.	-
DRAWN BY:	JAYAPRAKASH		05/08/06
CHECKED BY:	T.HORSTMANN		05/10/06
ENGINEER:	R.HANSEN/ E.SILVA		05/10/06



DETAILS



NOTES:

1. ALL DIMENSIONS ARE IN INCHES [MILLIMETERS].
2. INSTALLATION MUST COMPLY WITH ALL APPLICABLE NATIONAL AND LOCAL CODES.

THIS DRAWING AND SPECIFICATIONS HEREIN ARE THE PROPERTY OF AMERICAN POWER CONVERSION AND SHALL NOT BE COPIED, REPRODUCED OR USED IN WHOLE OR IN PART, AS THE BASIS FOR THE MANUFACTURE OR SALE OF ITEMS WITHOUT WRITTEN PERMISSION FROM APC. THIS DRAWING IS BASED UPON LATEST AVAILABLE INFORMATION AND IS SUBJECT TO CHANGE WITHOUT NOTICE.

TITLE: RACK PDU, BASIC
 ZERO U, 14.4kW, 208V, INPUT: CS8365C
 OUTPUT: (24)IEC 320 C13, (4)IEC 320 C19 AND
 (2) NEMA L6-30R
 DETAILS & ISOMETRIC VIEW
 PROJECT: SUBMITTAL DRAWING SHEET 2 OF 2

DWG NO: AP7599-MM2
 DRAWN BY: JAYAPRAKASH
 CHECKED BY: T.HORSTMANN
 ENGINEER: R.HANSEN/ E.SILVA
 REV. _
 05/08/06
 05/10/06
 05/10/06

