

NOTES:

1. INSTALLATION SHALL COMPLY WITH ALL APPLICABLE NATIONAL AND LOCAL CODES.
2. PLEASE REFER TO PRODUCT GUIDES AND MANUALS FOR ADDITIONAL INFORMATION.
3. ALL DIMENSIONS ARE IN INCHES [MILLIMETERS].
4. NET WEIGHT OF UNIT IS 148LBS [67.27kg].
5. AIRFLOW (UPFLOW DUCTED):
 2000 CFM [56.63 Cubic meter/min] MAXIMUM.

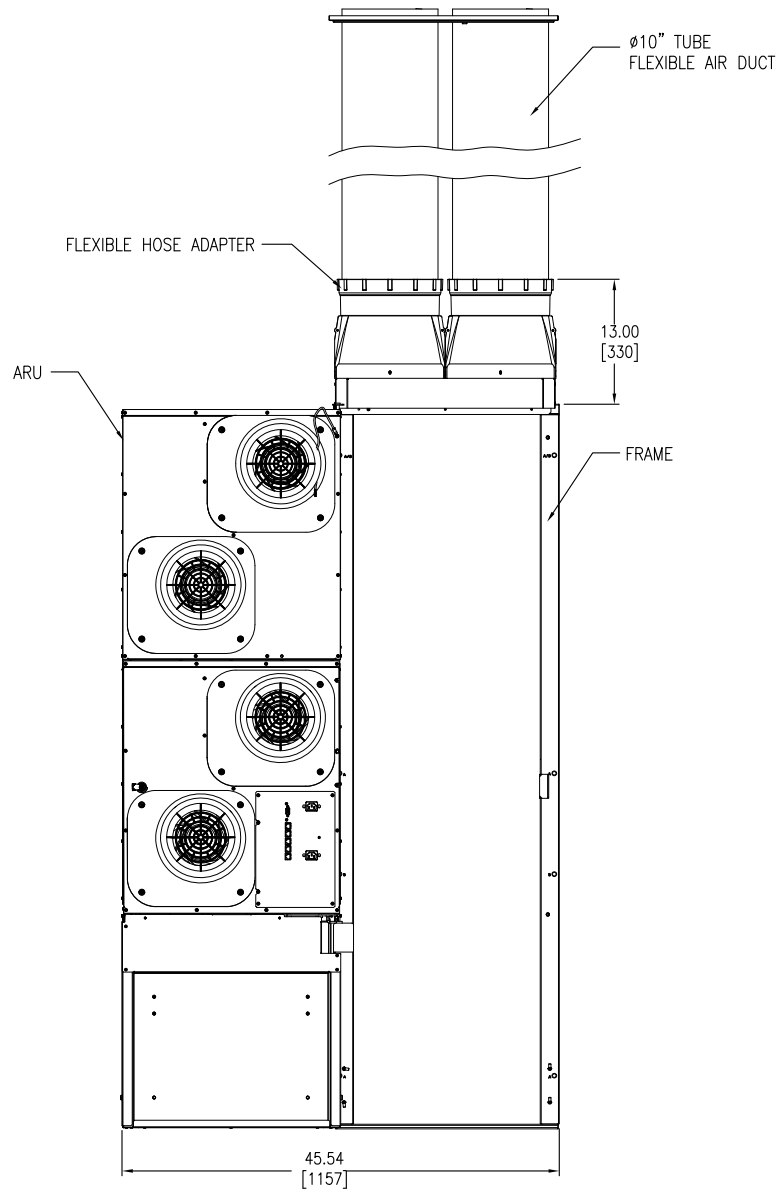
THIS DRAWING AND SPECIFICATIONS HEREIN ARE THE PROPERTY OF SCHNEIDER ELECTRIC AND SHALL NOT BE COPIED, REPRODUCED OR USED IN WHOLE OR IN PART, AS THE BASIS FOR THE MANUFACTURE OR SALE OF ITEMS WITHOUT WRITTEN PERMISSION FROM SCHNEIDER ELECTRIC. THIS DRAWING IS BASED UPON LATEST AVAILABLE INFORMATION AND IS SUBJECT TO CHANGE WITHOUT NOTICE.



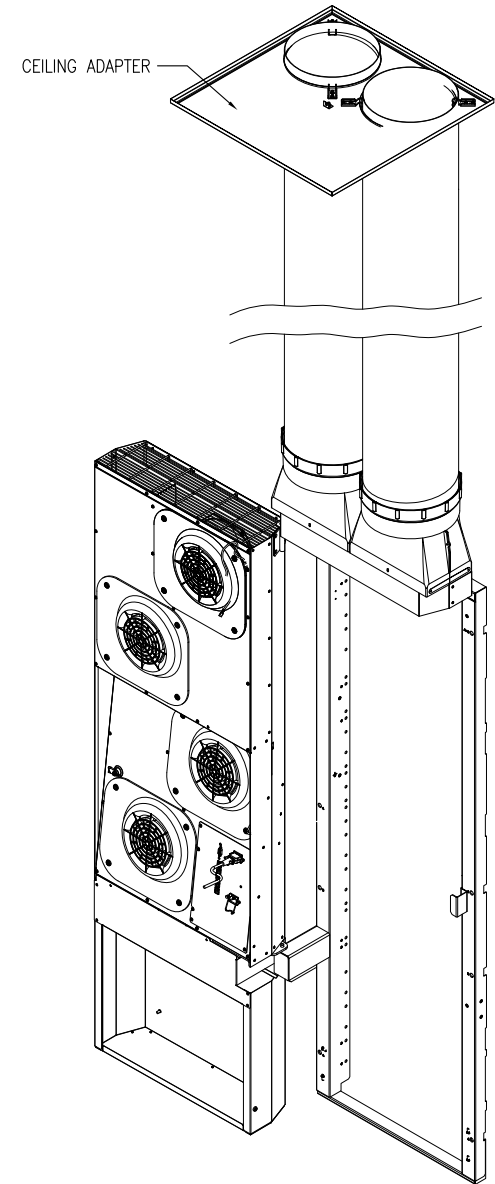
TITLE: NETWORKAIR PRODUCT RACK AIR REMOVAL UNIT 100-240V, 50/60Hz FOR NETSHELTER SX 42U-24Wx42D MAIN MECHANICAL

PROJECT: STANDARD PRODUCT DRAWING SHEET 1 OF 2

DWG NO: ACF400-MM1	REV. 1
DRAWN BY: JAYAPRAKASH/MWC	31-OCT-12
ENGINEER: I.ROCHOW/D.RODEN	31-OCT-12
APPROVED BY: R.HANSEN/C.ZALDVAR	31-OCT-12
	THIRD ANGLE PROJ



ARU WITH FRAME AND
DUCTING KIT



ISOMETRIC VIEW

NOTES:

1. INSTALLATION SHALL COMPLY WITH ALL APPLICABLE NATIONAL AND LOCAL CODES.
2. PLEASE REFER TO PRODUCT DOCUMENTATION FOR ADDITIONAL SPECIFIC INFORMATION.
3. UNLESS OTHERWISE SPECIFIED, ALL DIMENSIONS ARE IN INCHES [MILLIMETERS].

THIS DRAWING AND SPECIFICATIONS HEREIN ARE THE PROPERTY OF SCHNEIDER ELECTRIC AND SHALL NOT BE COPIED, REPRODUCED OR USED IN WHOLE OR IN PART, AS THE BASIS FOR THE MANUFACTURE OR SALE OF ITEMS WITHOUT WRITTEN PERMISSION FROM SCHNEIDER ELECTRIC. THIS DRAWING IS BASED UPON LATEST AVAILABLE INFORMATION AND IS SUBJECT TO CHANGE WITHOUT NOTICE.



TITLE: NETWORKAIR PRODUCT
RACK AIR REMOVAL UNIT
100-240V, 50/60Hz
FOR NETSHELTER SX 42U-24Wx42D
MAIN MECHANICAL

PROJECT: STANDARD PRODUCT DRAWING SHEET 2 OF 2

DWG NO: ACF400-MM2

DRAWN BY: JAYAPRAKASH/MWC 31-OCT-12
ENGINEER: I.ROCHOW/D.RODEN 31-OCT-12
APPROVED BY: R.HANSEN/C.ZALDVAR 31-OCT-12

REV. 1
THIRD ANGLE PROJ