

NOTES:

1. ALL DIMENSIONS ARE IN INCHES [MILLIMETERS].
2. NET WEIGHT IS 4.8 LBS [2.18kg]
3. LENGTH OF THE CORD IS 144 INCHES [3658mm].
4. INSTALLATION MUST COMPLY WITH ALL APPLICABLE NATIONAL AND LOCAL CODES.

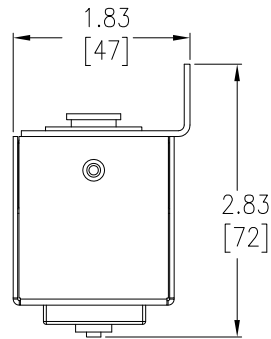
THIS DRAWING AND SPECIFICATIONS HEREIN ARE THE PROPERTY OF SCHNEIDER ELECTRIC AND SHALL NOT BE COPIED, REPRODUCED OR USED IN WHOLE OR IN PART, AS THE BASIS FOR THE MANUFACTURE OR SALE OF ITEMS WITHOUT WRITTEN PERMISSION FROM SCHNEIDER ELECTRIC. THIS DRAWING IS BASED UPON LATEST AVAILABLE INFORMATION AND IS SUBJECT TO CHANGE WITHOUT NOTICE.



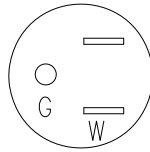
TITLE: RACK PDU, BASIC
 ZERO U, 15A, 100/120VAC
 INPUT: NEMA 5-15P
 OUTPUT: (14) NEMA 5-15R
 MAIN MECHANICAL

DWG NO:	AP9567		REV:	0
DRAWN BY:	JAYPRAKASH	14-MAR-06	THIRD	
ENGINEER:	T HORSTMANN	20-MAR-06	ANGLE	
APPROVED BY:	R HANSEN/E SILVA	20-MAR-06	PROJ	

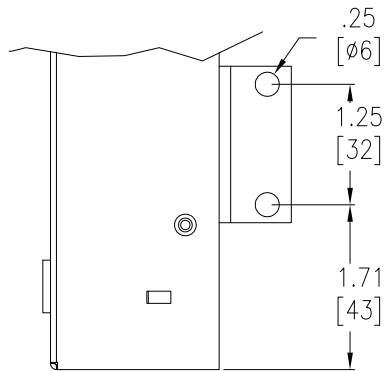
DETAILS (ENLARGED VIEWS)



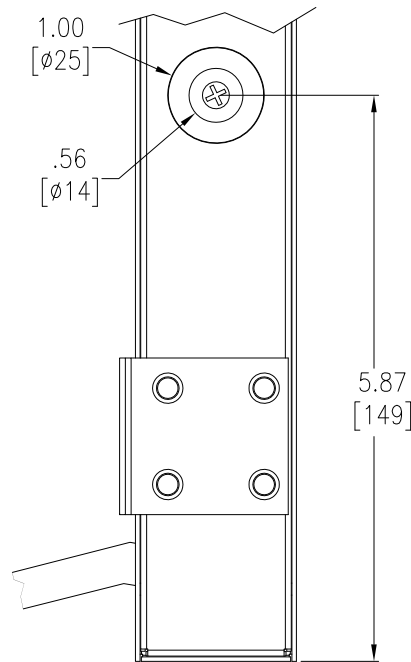
DETAIL-A (ENLARGED)



DETAIL-B
(NEMA 5-15P ENLARGED)

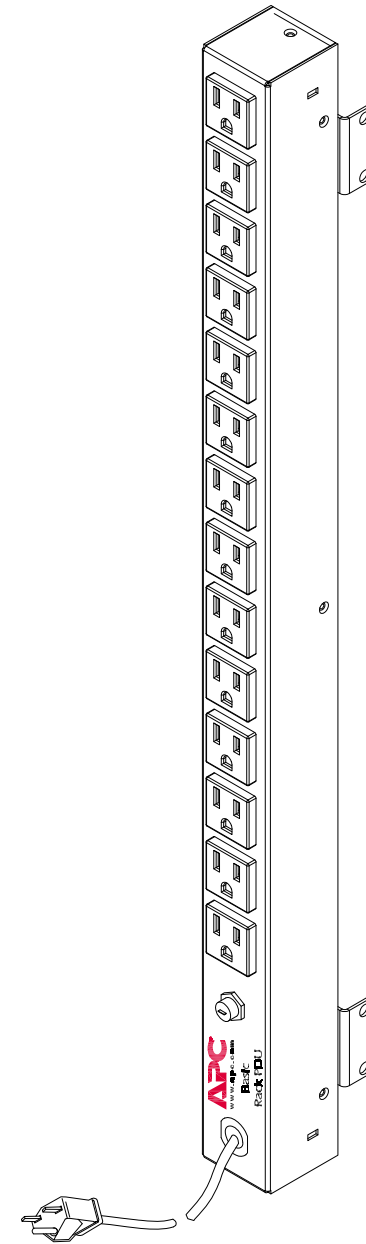


DETAIL-C
(MOUNTING BRACKET ENLARGED)



DETAIL-D
(NEMA 5-15P ENLARGED)

ISOMETRIC VIEW



RACK PDU WITH BRACKET

NOTES:

1. ALL DIMENSIONS ARE IN INCHES [MILLIMETERS].
2. INSTALLATION MUST COMPLY WITH ALL APPLICABLE NATIONAL AND LOCAL CODES.

THIS DRAWING AND SPECIFICATIONS HEREIN ARE THE PROPERTY OF SCHNEIDER ELECTRIC AND SHALL NOT BE COPIED, REPRODUCED OR USED IN WHOLE OR IN PART, AS THE BASIS FOR THE MANUFACTURE OR SALE OF ITEMS WITHOUT WRITTEN PERMISSION FROM SCHNEIDER ELECTRIC. THIS DRAWING IS BASED UPON LATEST AVAILABLE INFORMATION AND IS SUBJECT TO CHANGE WITHOUT NOTICE.



TITLE: RACK PDU, BASIC
ZERO U, 15A, 100/120VAC
INPUT: NEMA 5-15P
OUTPUT: (14) NEMA 5-15R
DETAILS & ISOMETRIC VIEW

DWG NO:	AP9567	REV:	0
DRAWN BY:	JAYPRAKASH	14-MAR-06	THIRD
ENGINEER:	T HORSTMANN	20-MAR-06	ANGLE
APPROVED BY:	R HANSEN/E SILVA	20-MAR-06	PROJ