
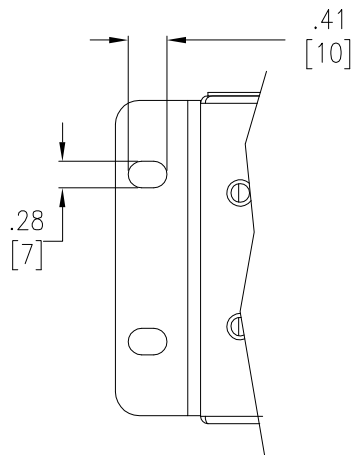


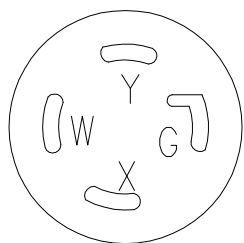
NOTES:

1. ALL DIMENSIONS ARE IN INCHES [MILLIMETERS].
2. NET WEIGHT IS 14 LBS [6.36kg]
3. BRACKET KITS TO MOUNT TO SPECIFIC COMPETITORS RACKS ARE AVAILABLE AS OPTIONS.
4. INSTALLATION MUST COMPLY WITH ALL APPLICABLE NATIONAL AND LOCAL CODES.

<small>THIS DRAWING AND SPECIFICATIONS HEREIN ARE THE PROPERTY OF AMERICAN POWER CONVERSION AND SHALL NOT BE COPIED, REPRODUCED OR USED IN WHOLE OR IN PART, AS THE BASIS FOR THE MANUFACTURE OR SALE OF ITEMS WITHOUT WRITTEN PERMISSION FROM APC. THIS DRAWING IS BASED UPON LATEST AVAILABLE INFORMATION AND IS SUBJECT TO CHANGE WITHOUT NOTICE.</small>	TITLE: RACK PDU EXTENDER, BASIC	DWG NO: AP7584-MM1	REV. —	 <small>AMERICAN POWER CONVERSION 132 FARRINGTONS RD WEST KINGSTON, RI 02892</small>
	2U, 30A, 200/208V	DRAWN BY: JAYAPRAKASH	11/14/05	
	INPUT: NEMA L14-30P	CHECKED BY: T.HORSTMANN	11/14/05	
	OUTPUT: (4) NEMA L6-30R MAIN MECHANICAL	ENGINEER: J.RING/ E.SILVA	11/14/05	
PROJECT: SUBMITTAL DRAWING	SHEET 1 OF 2			

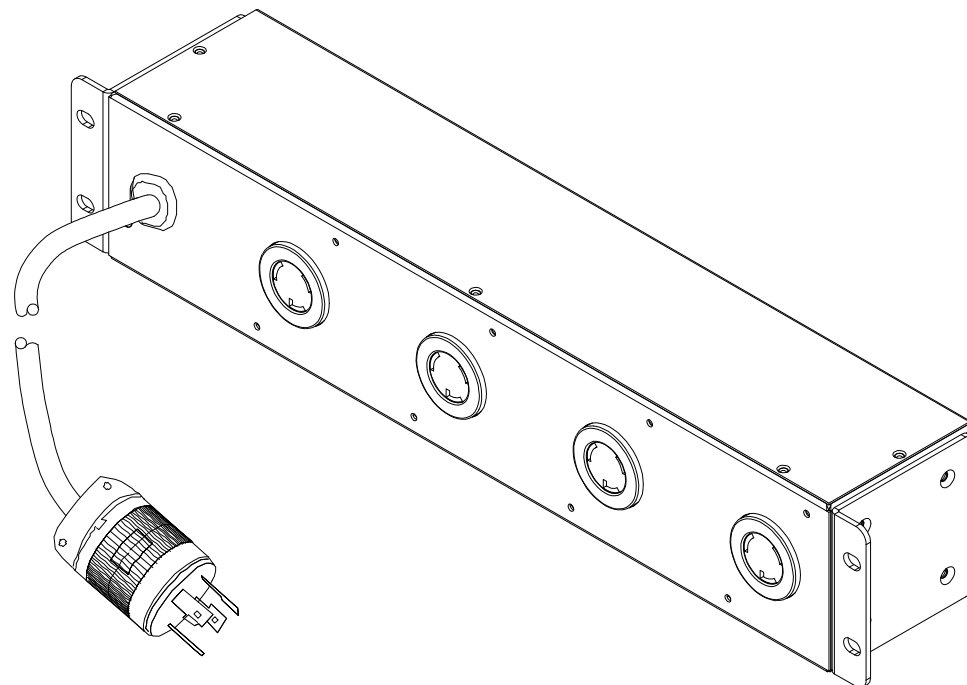


VIEW A (ENLARGED)



VIEW B  
(NEMA L14-30 PLUG ENLARGED)

ISOMETRIC VIEW



NOTES:

1. ALL DIMENSIONS ARE IN INCHES [MILLIMETERS].
2. INSTALLATION MUST COMPLY WITH ALL APPLICABLE NATIONAL AND LOCAL CODES.

THIS DRAWING AND SPECIFICATIONS HEREIN ARE THE PROPERTY OF AMERICAN POWER CONVERSION AND SHALL NOT BE COPIED, REPRODUCED OR USED IN WHOLE OR IN PART, AS THE BASIS FOR THE MANUFACTURE OR SALE OF ITEMS WITHOUT WRITTEN PERMISSION FROM APC. THIS DRAWING IS BASED UPON LATEST AVAILABLE INFORMATION AND IS SUBJECT TO CHANGE WITHOUT NOTICE.

TITLE: RACK PDU EXTENDER, BASIC  
2U, 30A, 200/208V  
INPUT: NEMA L14-30P  
OUTPUT: (4) NEMA L6-30R  
DETAILS & ISOMETRIC VIEW  
PROJECT: SUBMITTAL DRAWING SHEET 2 OF 2

DWG NO:	AP7584-MM2	REV.:	-
DRAWN BY:	JAYAPRAKASH		11/14/05
CHECKED BY:	T.HORSTMANN		11/14/05
ENGINEER:	J.RING/ E.SILVA		11/14/05

