

NOTES:

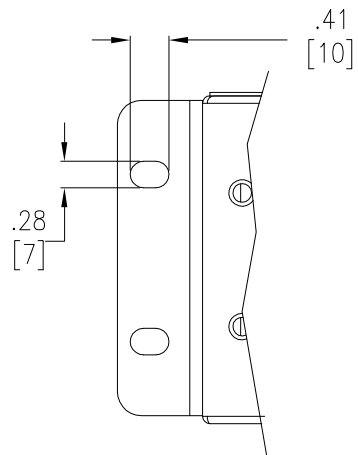
1. ALL DIMENSIONS ARE IN INCHES [MILLIMETERS].
2. NET WEIGHT IS 14 LBS [6.36kg]
3. BRACKET KITS TO MOUNT TO SPECIFIC COMPETITORS RACKS ARE AVAILABLE AS OPTIONS.
4. INSTALLATION MUST COMPLY WITH ALL APPLICABLE NATIONAL AND LOCAL CODES.

THIS DRAWING AND SPECIFICATIONS HEREIN ARE THE PROPERTY OF AMERICAN POWER CONVERSION AND SHALL NOT BE COPIED, REPRODUCED OR USED IN WHOLE OR IN PART, AS THE BASIS FOR THE MANUFACTURE OR SALE OF ITEMS WITHOUT WRITTEN PERMISSION FROM APC. THIS DRAWING IS BASED UPON LATEST AVAILABLE INFORMATION AND IS SUBJECT TO CHANGE WITHOUT NOTICE.

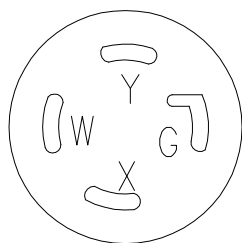
TITLE: RACK PDU EXTENDER, BASIC
2U, 30A, 100/120/200/208V
INPUT: NEMA L14-30P
OUTPUT: (4) NEMA L5-30R
MAIN MECHANICAL
PROJECT: SUBMITTAL DRAWING SHEET 1 OF 2

DWG NO:	AP7583-MM1	REV.:	-
DRAWN BY:	JAYAPRAKASH		11/14/05
CHECKED BY:	T.HORSTMANN		11/14/05
ENGINEER:	J.RING/ E.SILVA		11/14/05



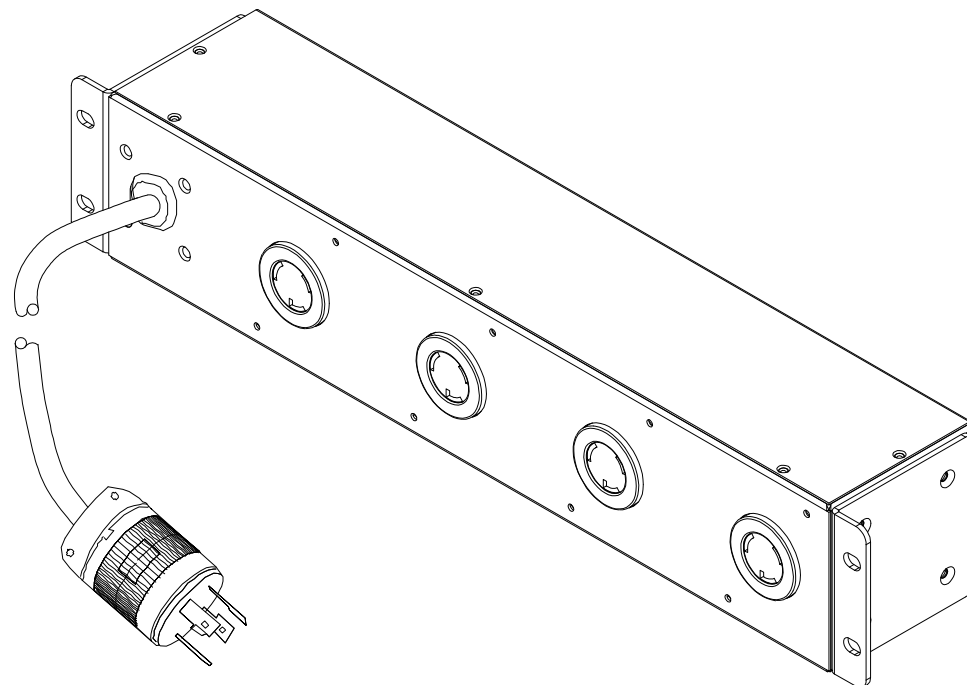


VIEW A (ENLARGED)



VIEW B
(NEMA L14-30 PLUG ENLARGED)

ISOMETRIC VIEW



NOTES:

1. ALL DIMENSIONS ARE IN INCHES [MILLIMETERS].
2. INSTALLATION MUST COMPLY WITH ALL APPLICABLE NATIONAL AND LOCAL CODES.

THIS DRAWING AND SPECIFICATIONS HEREIN ARE THE PROPERTY OF AMERICAN POWER CONVERSION AND SHALL NOT BE COPIED, REPRODUCED OR USED IN WHOLE OR IN PART, AS THE BASIS FOR THE MANUFACTURE OR SALE OF ITEMS WITHOUT WRITTEN PERMISSION FROM APC. THIS DRAWING IS BASED UPON LATEST AVAILABLE INFORMATION AND IS SUBJECT TO CHANGE WITHOUT NOTICE.

TITLE: RACK PDU EXTENDER, BASIC
2U, 30A, 100/120/200/208V
INPUT: NEMA L14-30P
OUTPUT: (4) NEMA L5-30R
DETAILS & ISOMETRIC VIEW
PROJECT: SUBMITTAL DRAWING SHEET 2 OF 2

DWG NO: AP7583-MM2
DRAWN BY: JAYAPRAKASH
CHECKED BY: T.HORSTMANN
ENGINEER: J.RING/ E.SILVA

REV. -
11/14/05
11/14/05
11/14/05

