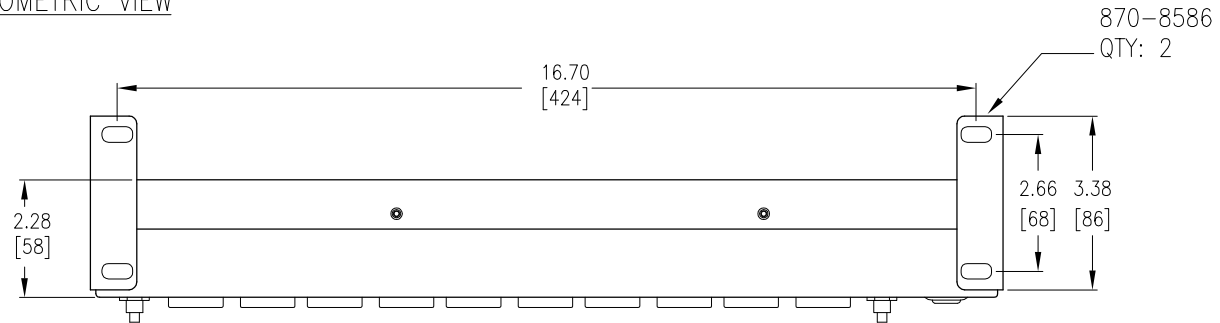
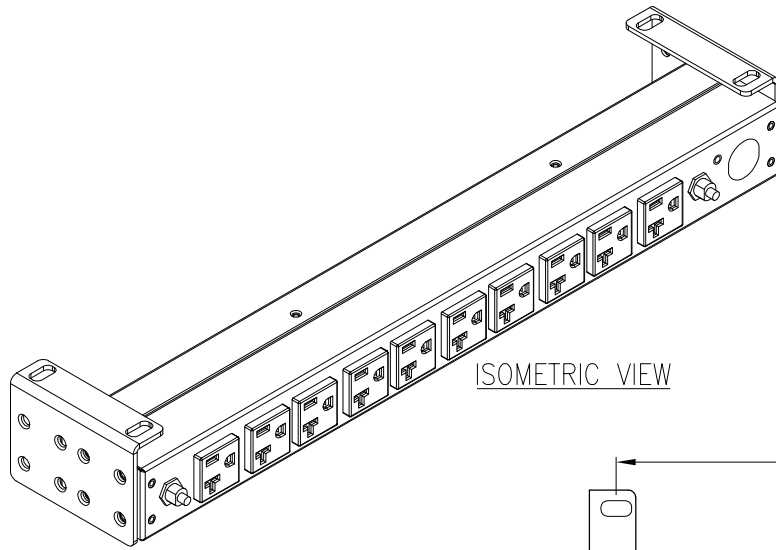
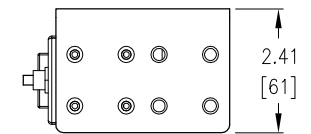
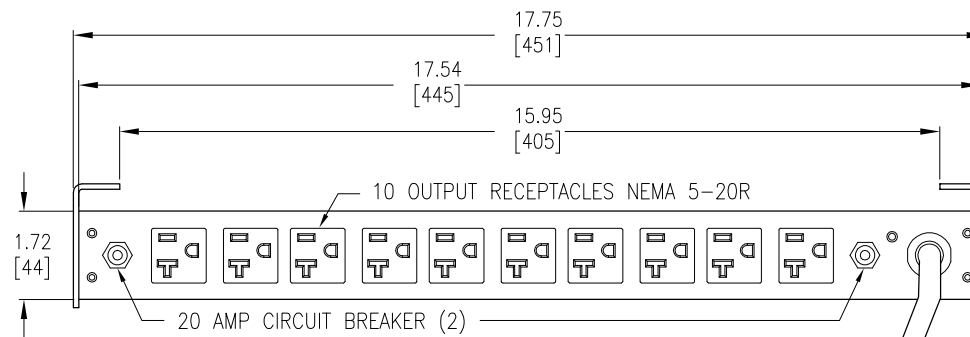
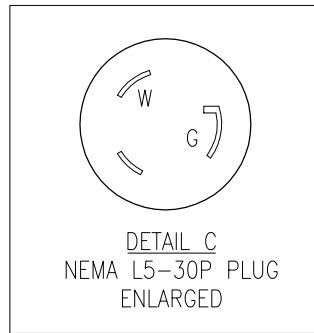


VERTICAL MOUNTING

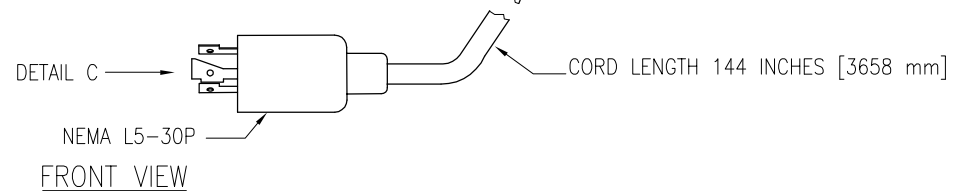
(ANY STANDARD EIA-310 RACK OR ENCLOSURE)



TOP VIEW



SIDE VIEW



NOTES:

1. ALL DIMENSIONS ARE IN INCHES [MILLIMETERS]
2. UNIT WEIGHT = 5.5 LBS [2.5 KG]
3. BRACKET KITS TO MOUNT TO SPECIFIC COMPETITORS RACKS ARE AVAILABLE AS OPTIONS.
4. INSTALLATION MUST COMPLY WITH ALL APPLICABLE NATIONAL AND LOCAL CODES.

THIS DRAWING AND SPECIFICATIONS HEREIN ARE THE PROPERTY OF AMERICAN POWER CONVERSION AND SHALL NOT BE COPIED, REPRODUCED OR USED IN WHOLE OR IN PART, AS THE BASIS FOR THE MANUFACTURE OR SALE OF ITEMS WITHOUT WRITTEN PERMISSION FROM APC. THIS DRAWING IS BASED UPON LATEST AVAILABLE INFORMATION AND IS SUBJECT TO CHANGE WITHOUT NOTICE.

TITLE: RACK PDU, BASIC
1U, 30A, 120V, INPUT: NEMA L5-30P
OUTPUT: (10) NEMA 5-20R
MAIN MECHANICAL-1

PROJECT: SUBMITTAL DRAWING SHEET 1 OF 2

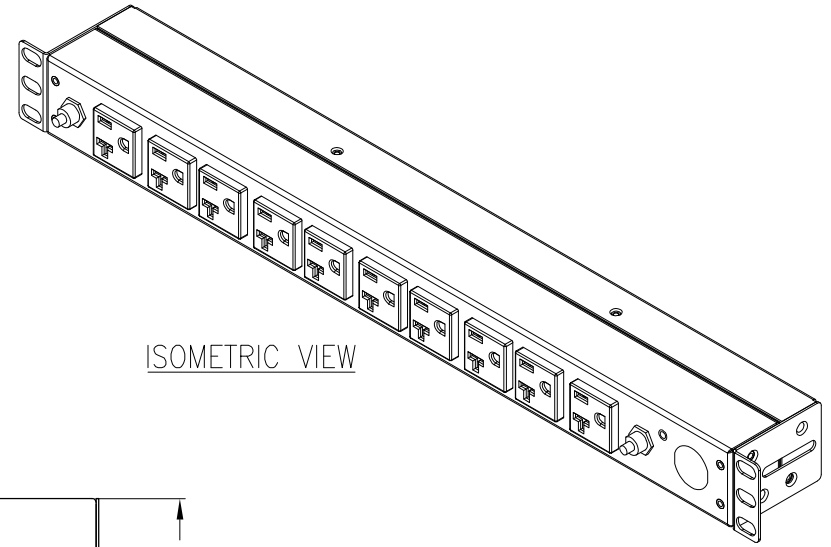
DWG NO: AP9560-MM1 REV: -

DRAWN BY:	M.CRAVEN	10/28/05
CHECKED BY:	T.HORSTMANN	10/28/05
ENGINEER:	J.RING/ E.SILVA	10/28/05

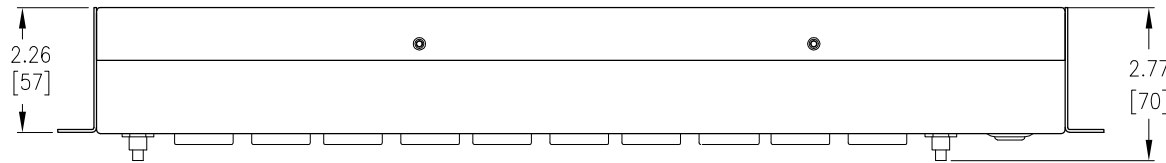


HORIZONTAL MOUNTING

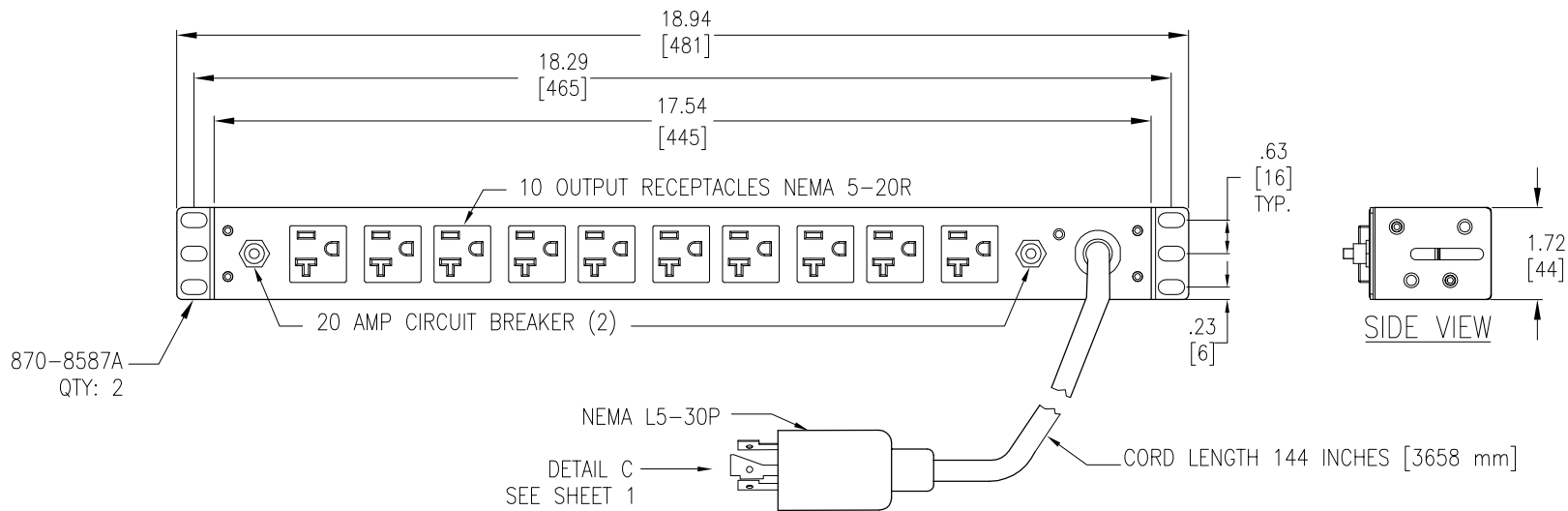
(ANY STANDARD EIA-310 RACK OR ENCLOSURE)



ISOMETRIC VIEW



TOP VIEW



FRONT VIEW

NOTES:

1. ALL DIMENSIONS ARE IN INCHES [MILLIMETERS]
2. BRACKET KITS TO MOUNT TO SPECIFIC COMPETITOR RACKS ARE AVAILABLE AS OPTIONS.
3. INSTALLATION MUST COMPLY WITH ALL APPLICABLE NATIONAL AND LOCAL CODES.

<small>THIS DRAWING AND SPECIFICATIONS HEREIN ARE THE PROPERTY OF AMERICAN POWER CONVERSION AND SHALL NOT BE COPIED, REPRODUCED OR USED IN WHOLE OR IN PART, AS THE BASIS FOR THE MANUFACTURE OR SALE OF ITEMS WITHOUT WRITTEN PERMISSION FROM APC. THIS DRAWING IS BASED UPON LATEST AVAILABLE INFORMATION AND IS SUBJECT TO CHANGE WITHOUT NOTICE.</small>	TITLE: RACK PDU, BASIC	DWG NO: AP9560-MM2	REV: -	 <small>AMERICAN POWER CONVERSION 132 FAIRGROUNDS RD WEST KINGSTON, RI 02892</small>
	1U, 30A, 120V, INPUT: NEMA L5-30P	DRAWN BY: M.CRAVEN	10/28/05	
	OUTPUT: (10) NEMA 5-20R MAIN MECHANICAL-2	CHECKED BY: T.HORSTMANN	10/28/05	
	PROJECT: SUBMITTAL DRAWING SHEET 2 OF 2	ENGINEER: J.RING/ E.SILVA	10/28/05	