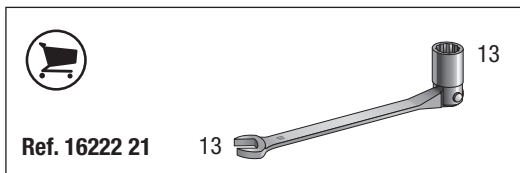
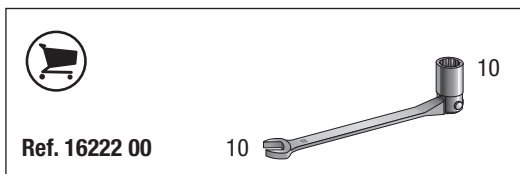
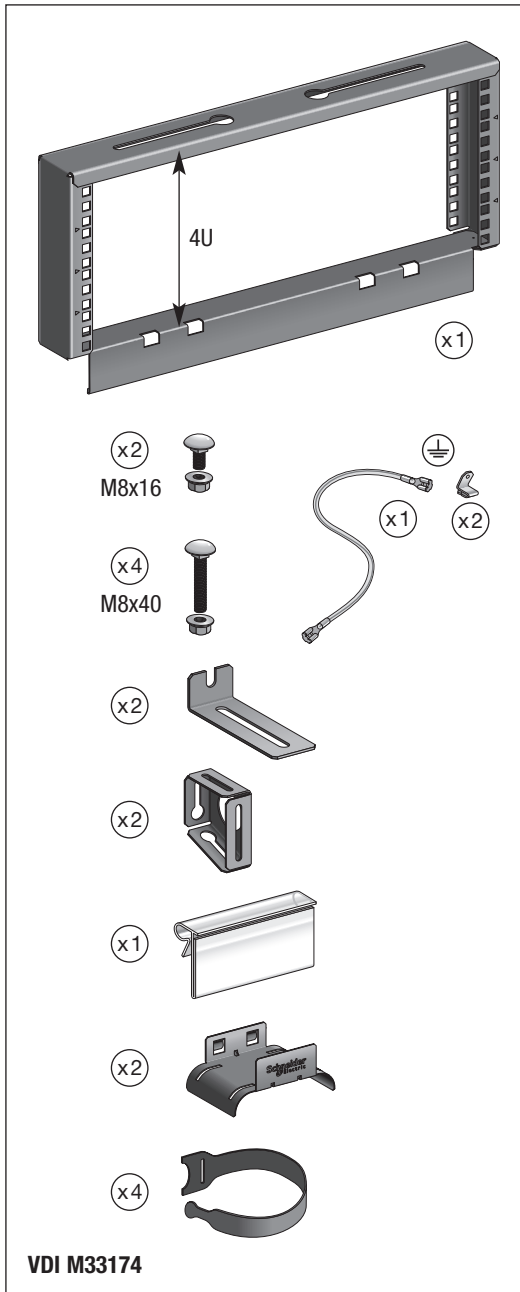
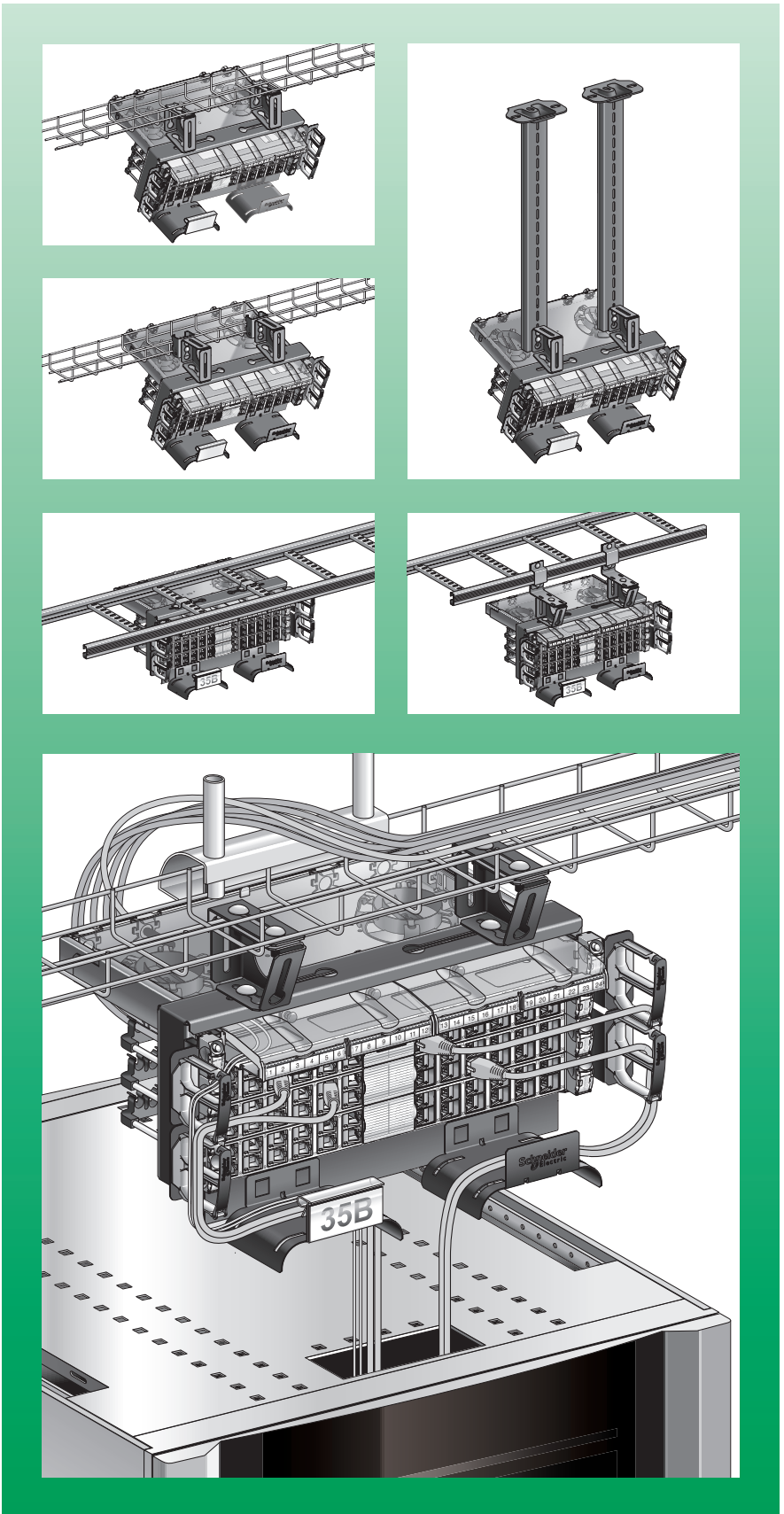


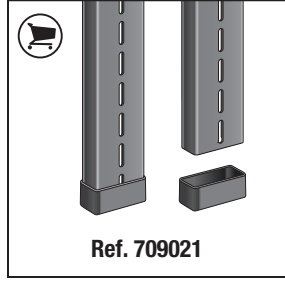
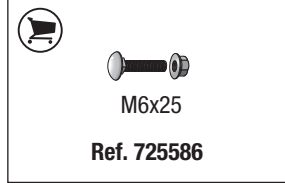
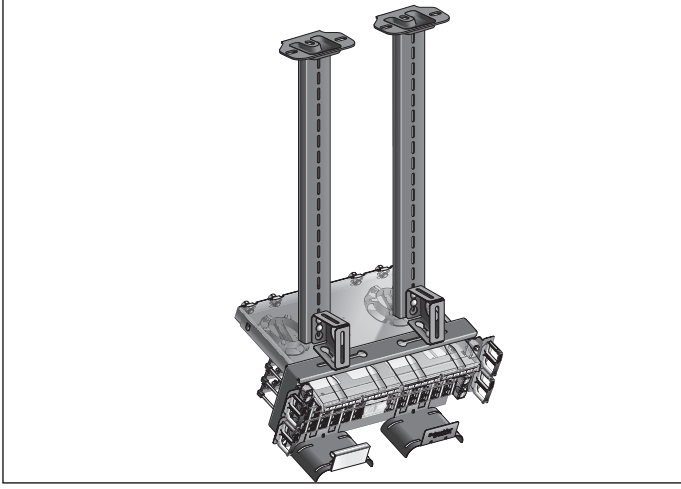
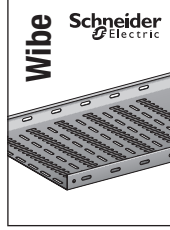
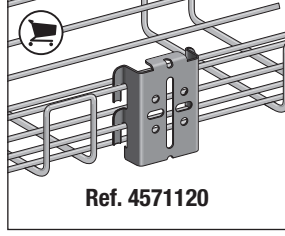
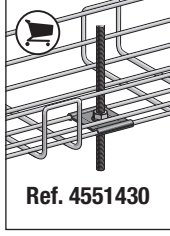
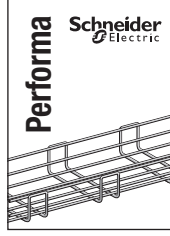
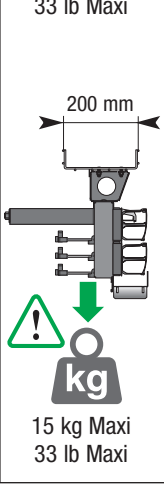
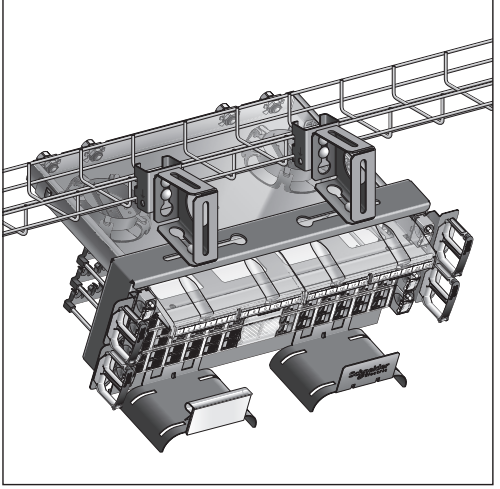
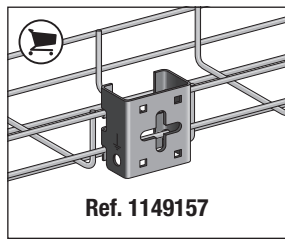
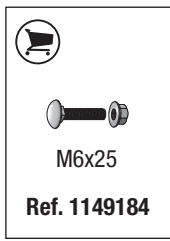
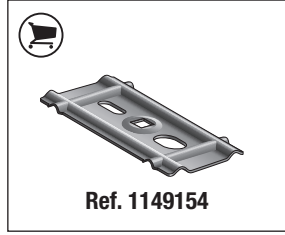
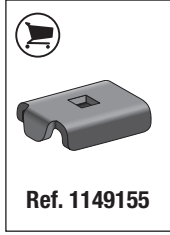
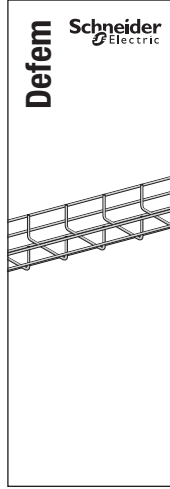
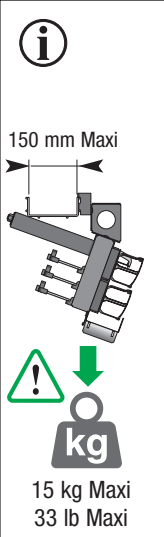
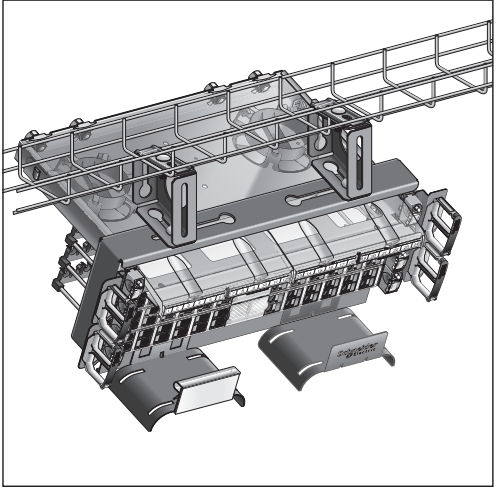
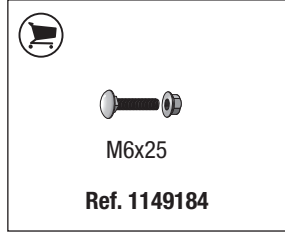
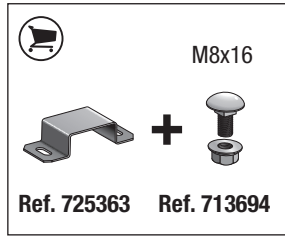
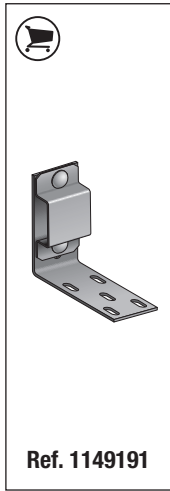
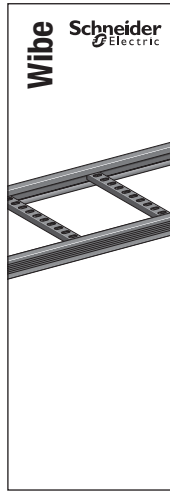
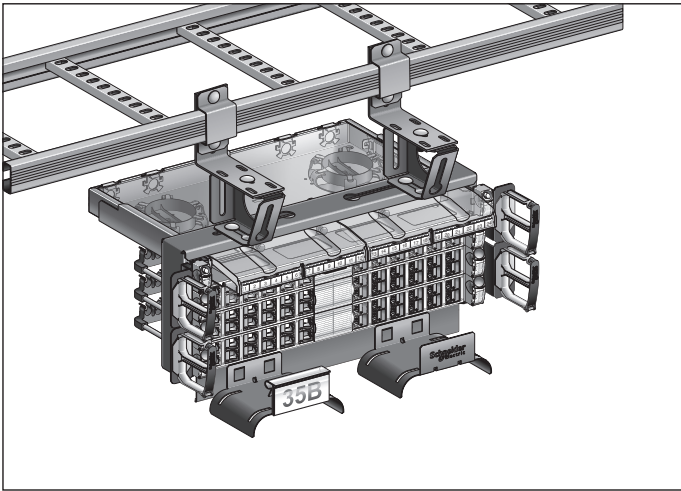
# Actassi 19-DC Overhead 19" frame

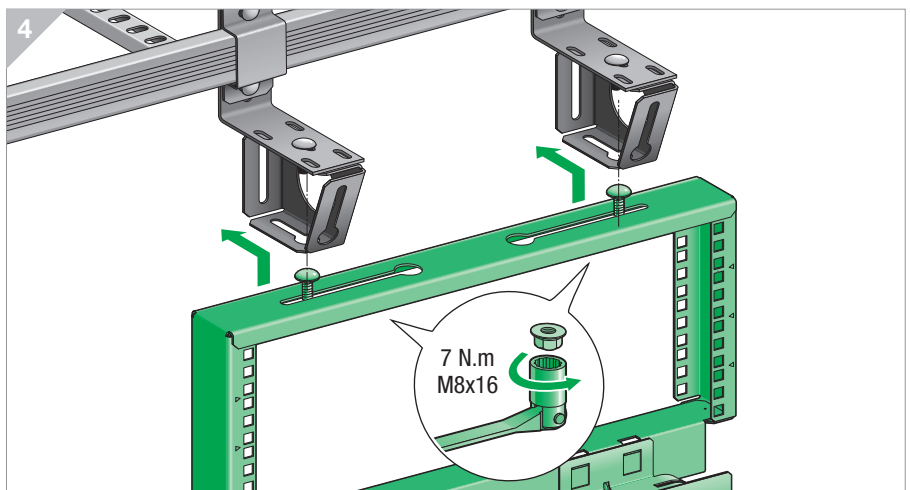
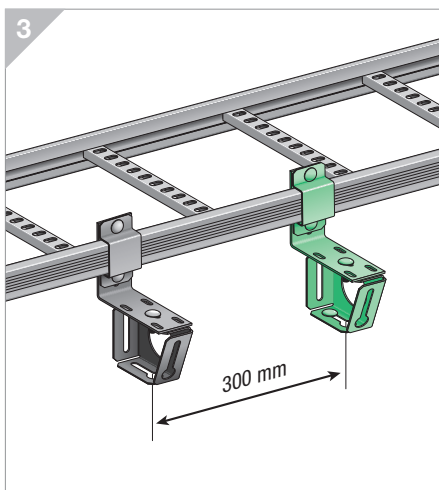
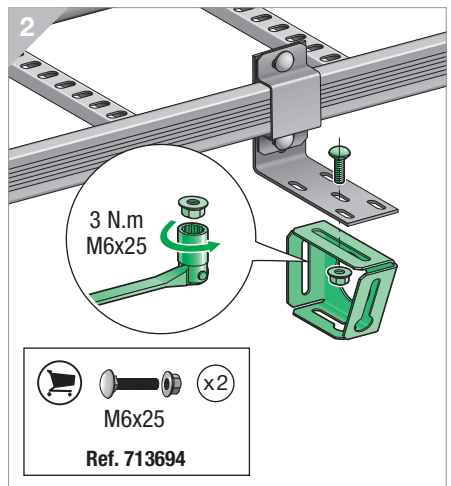
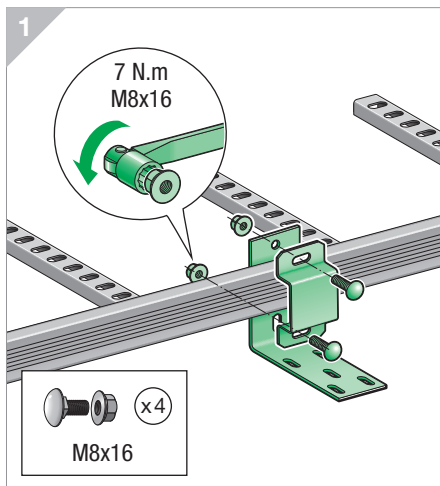
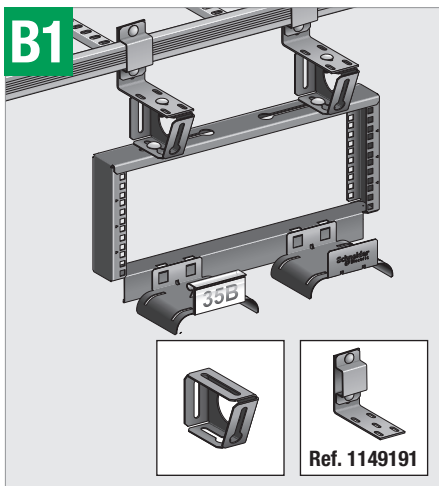
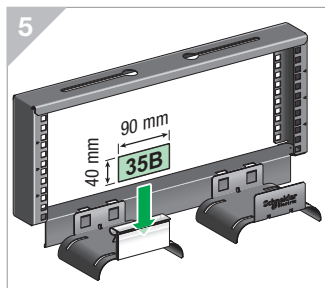
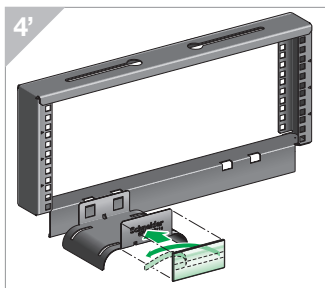
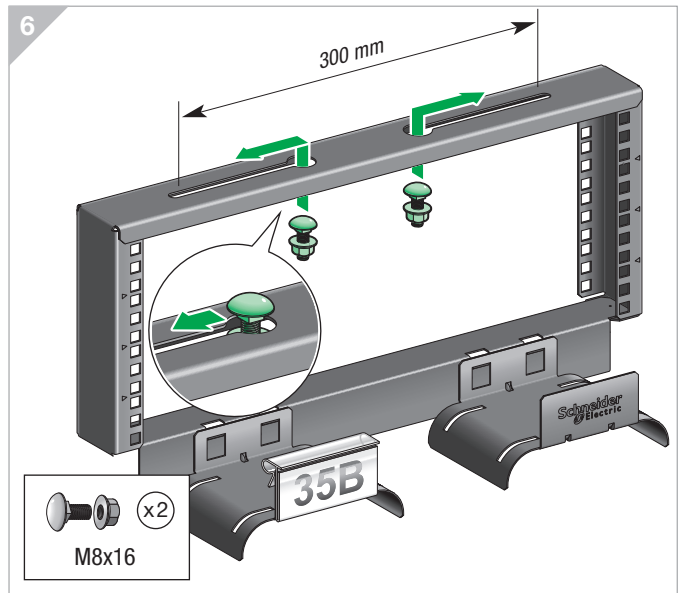
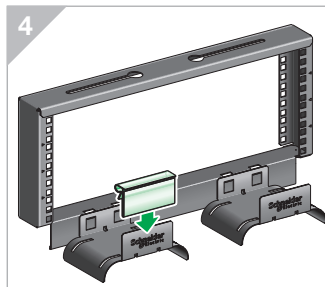
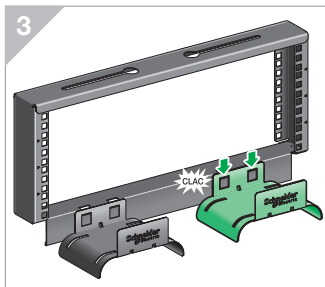
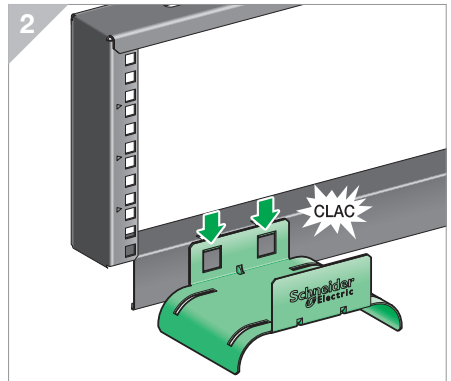
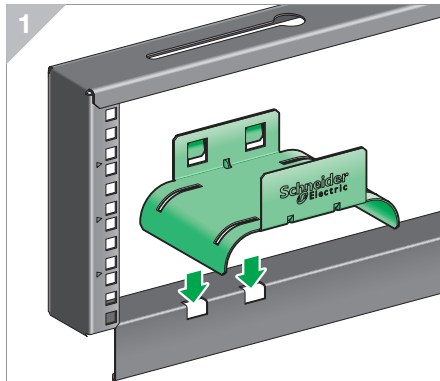
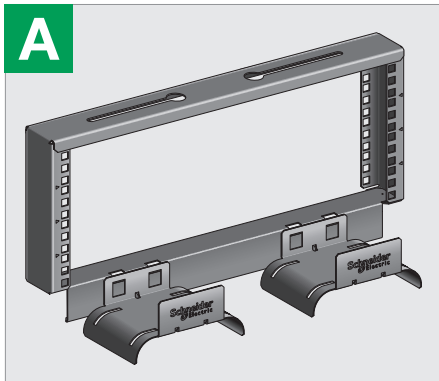
NT S1B97648-02

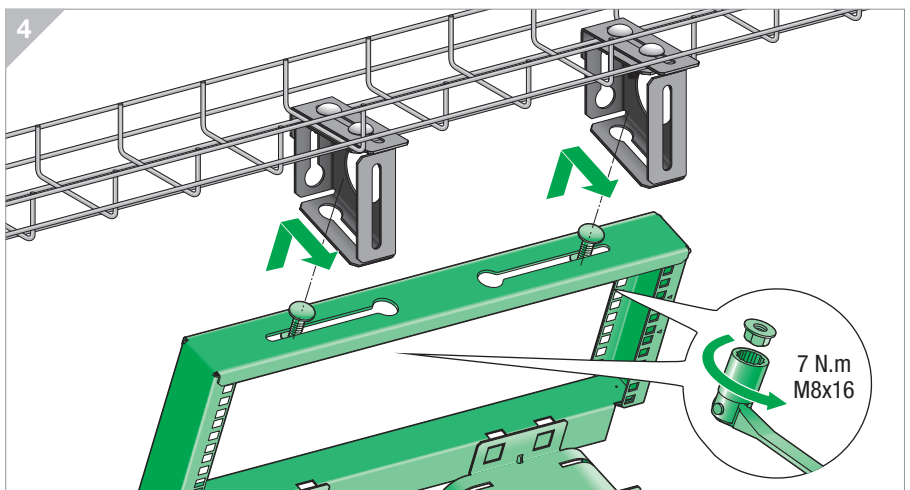
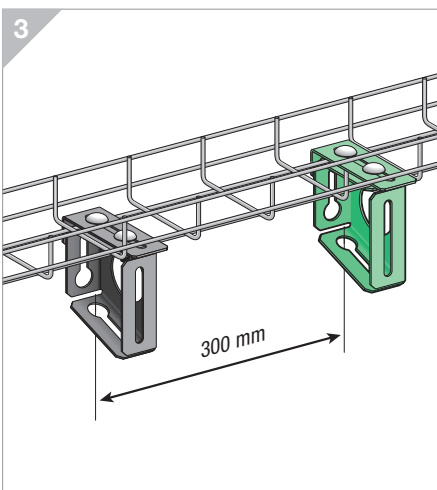
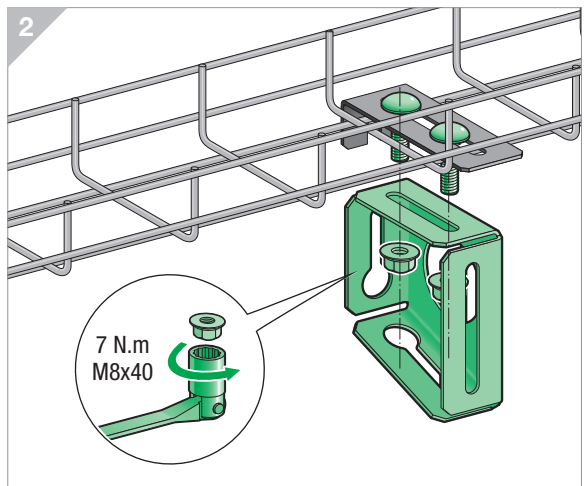
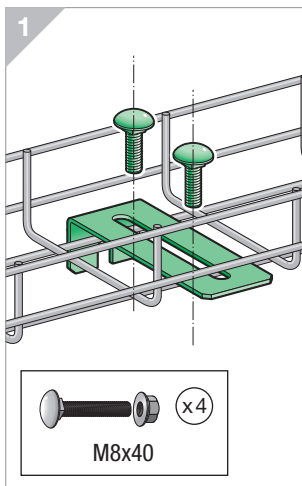
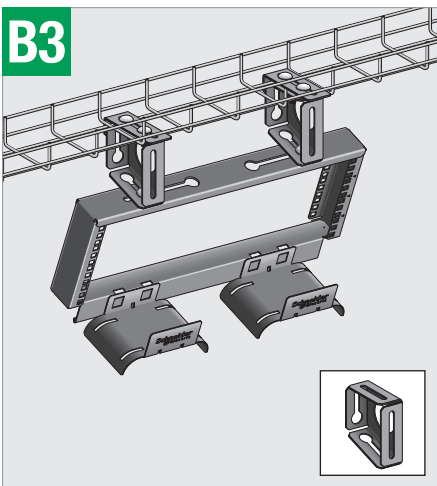
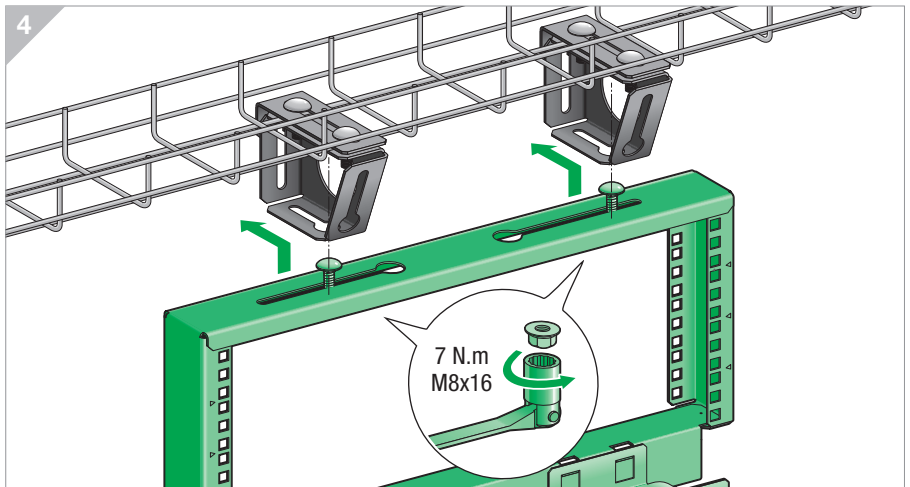
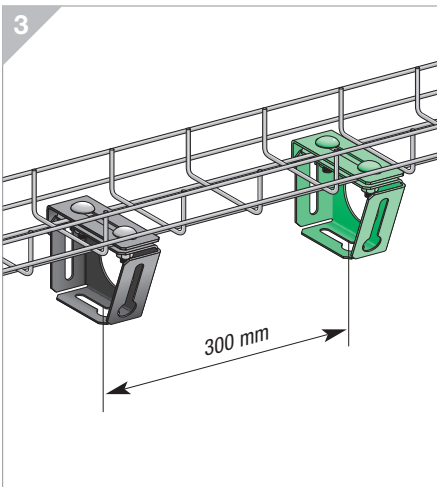
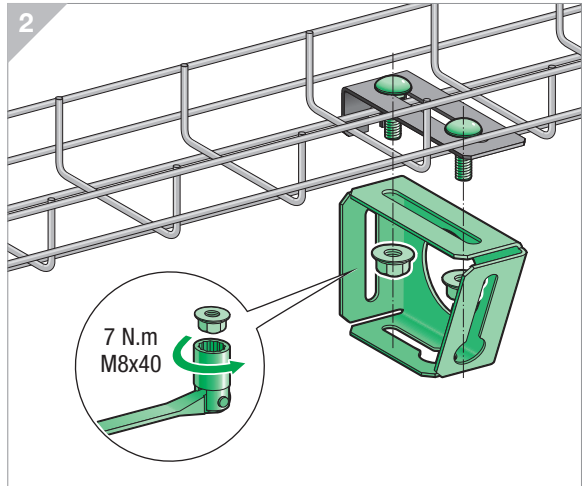
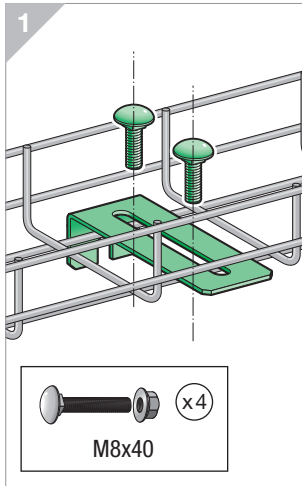
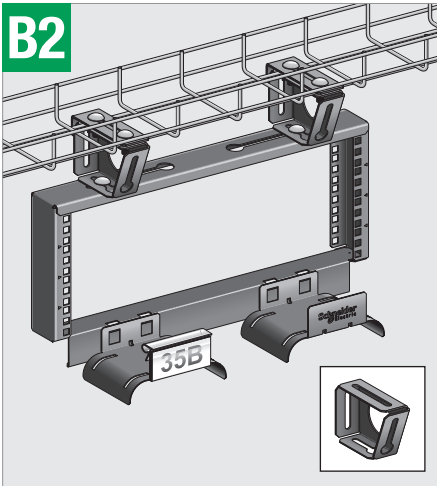


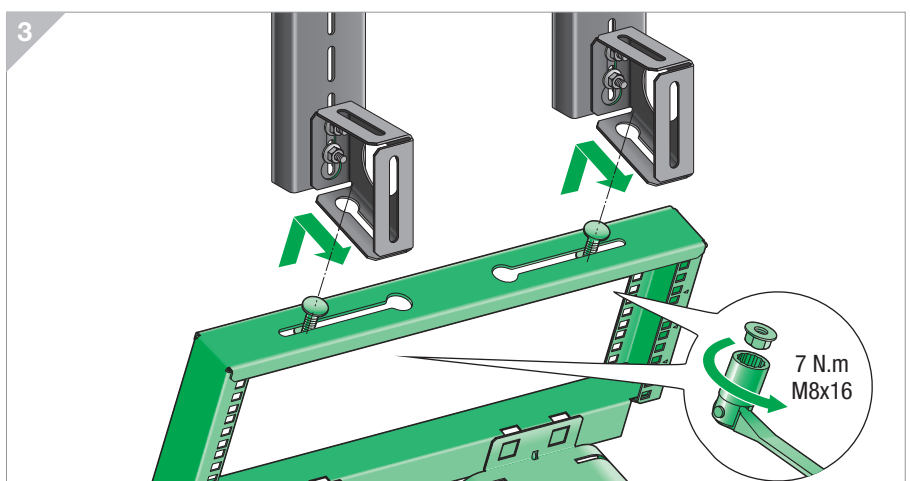
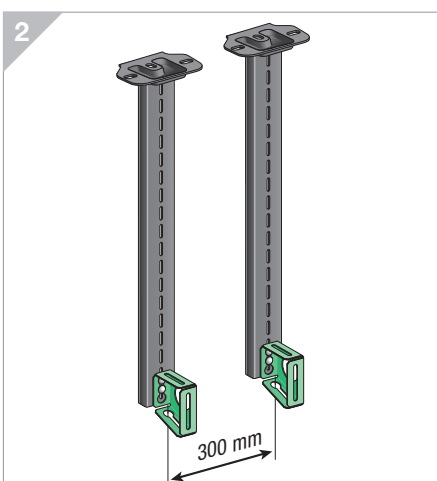
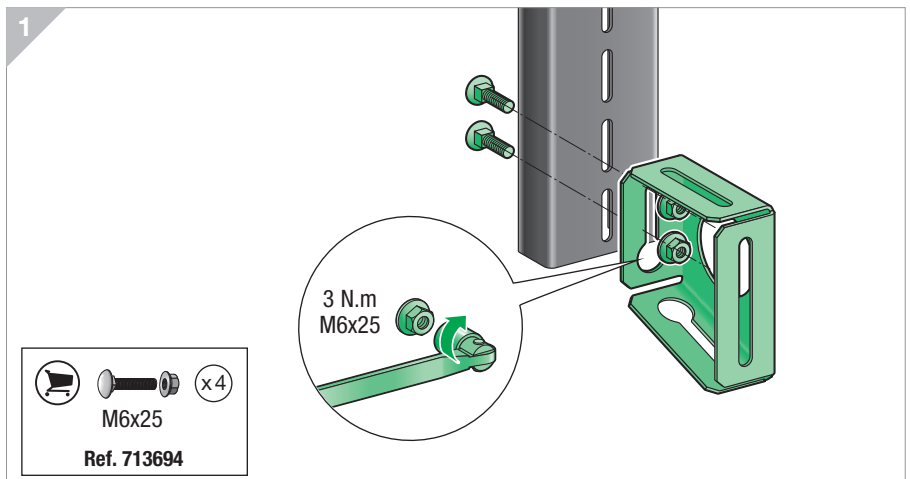
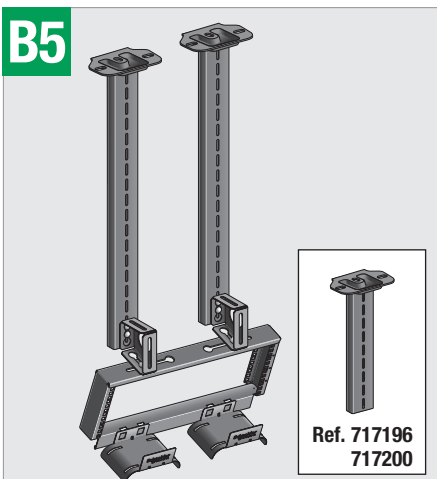
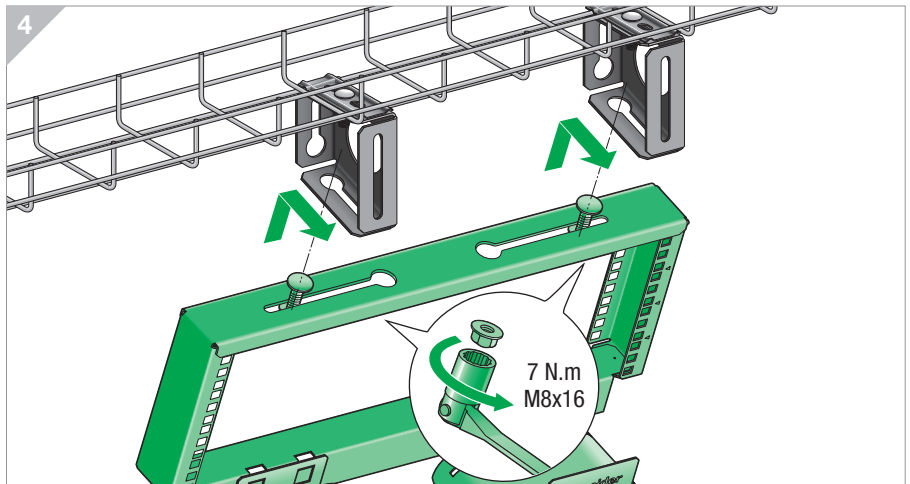
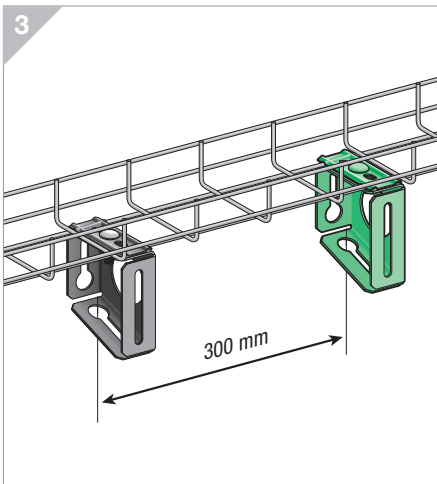
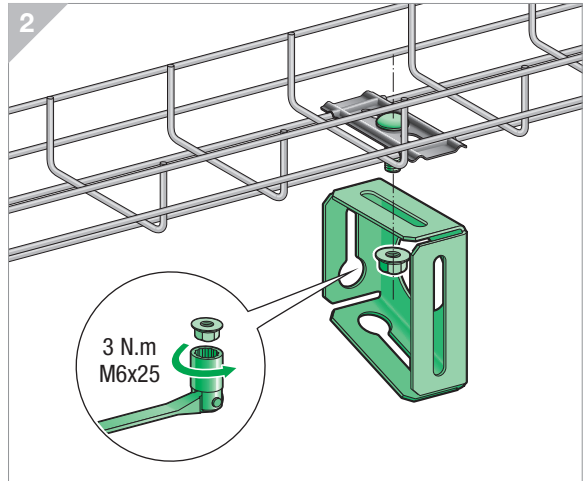
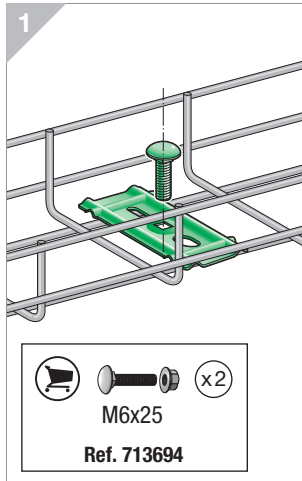
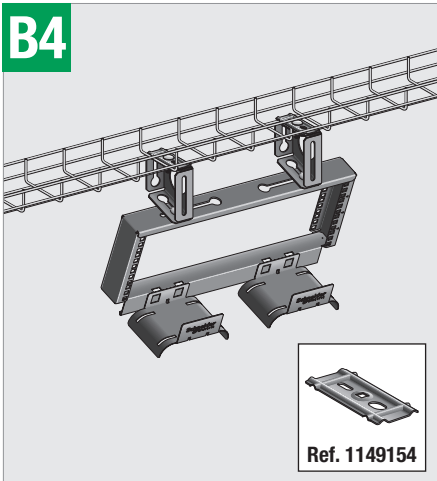
October 2012

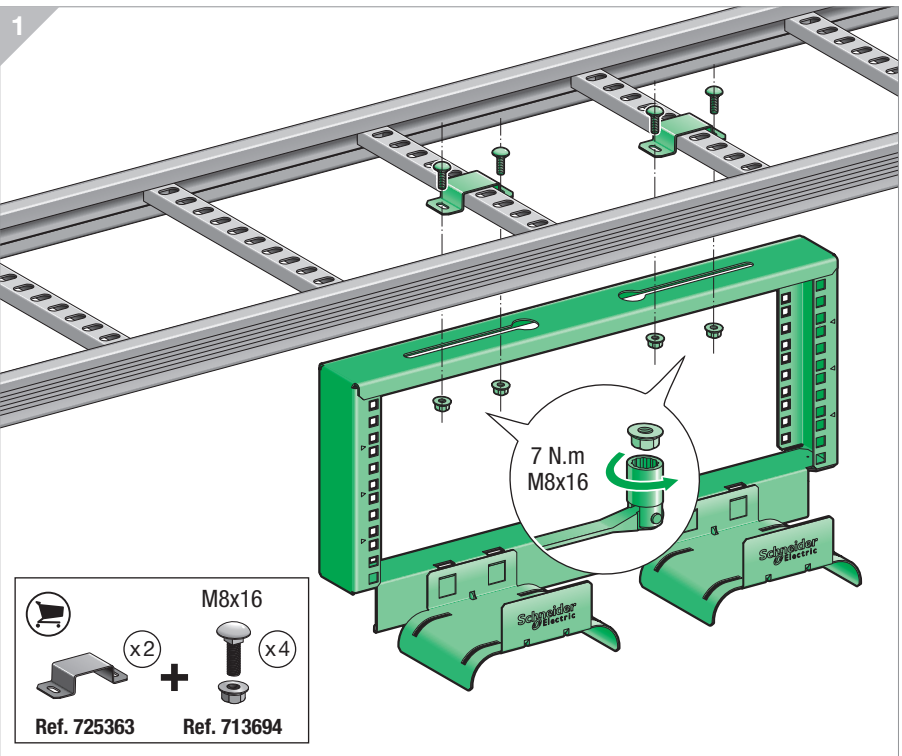
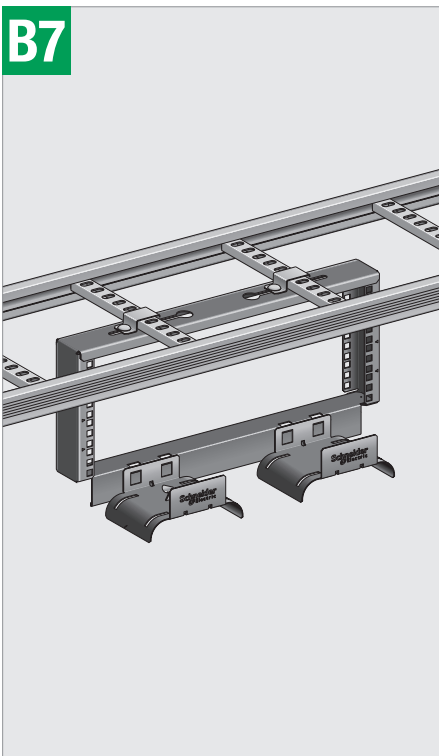
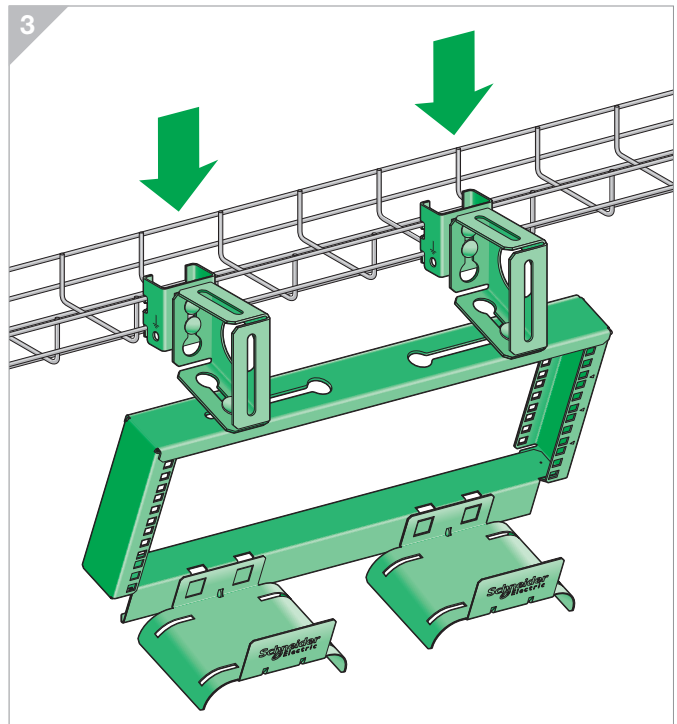
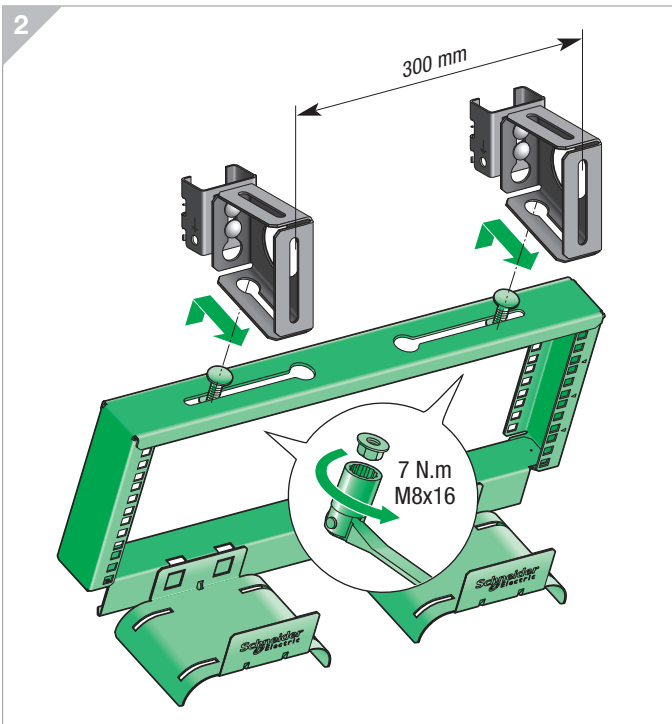
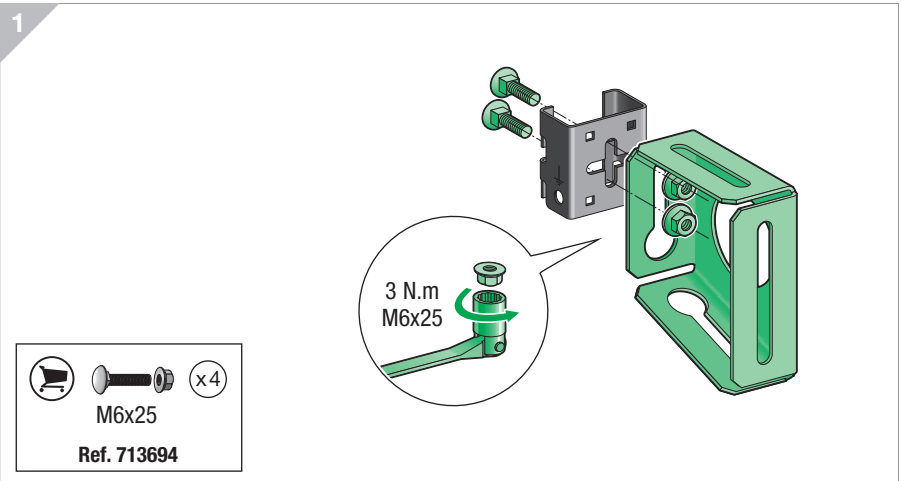
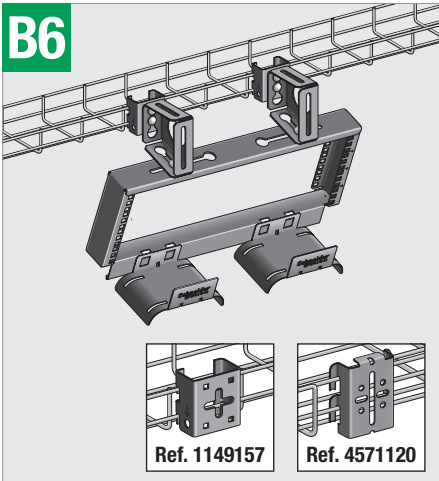


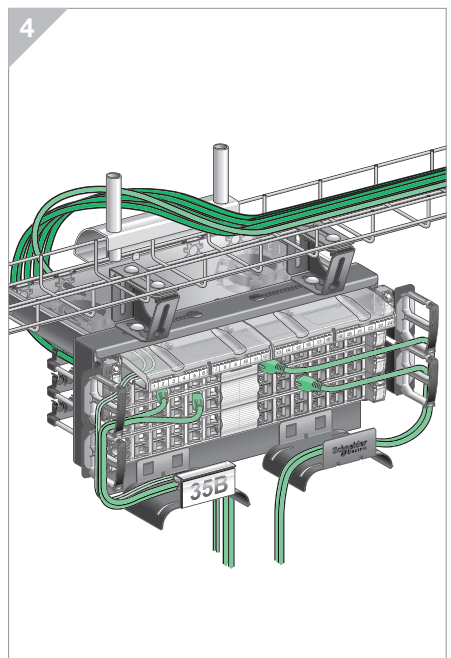
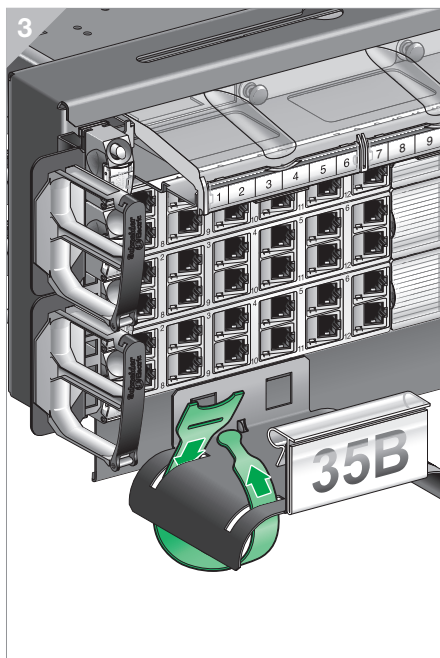
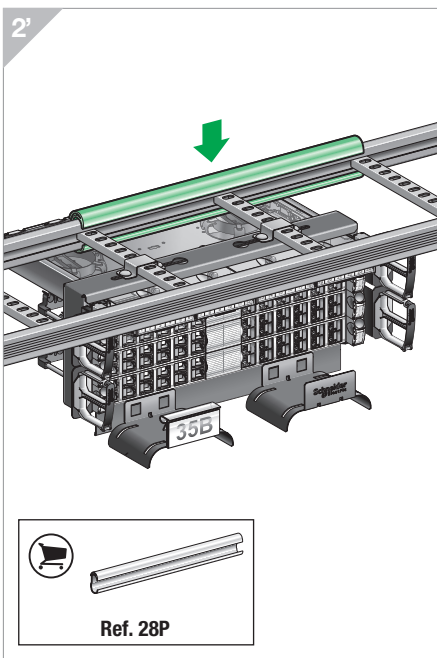
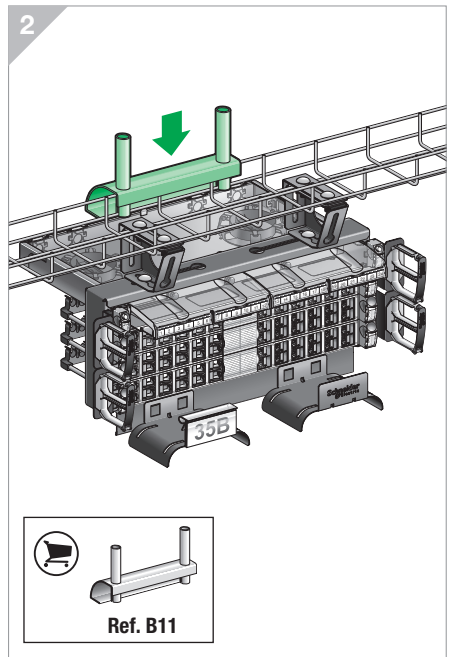
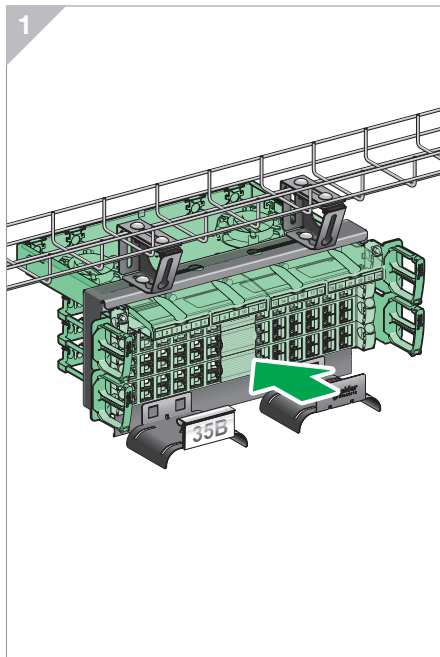
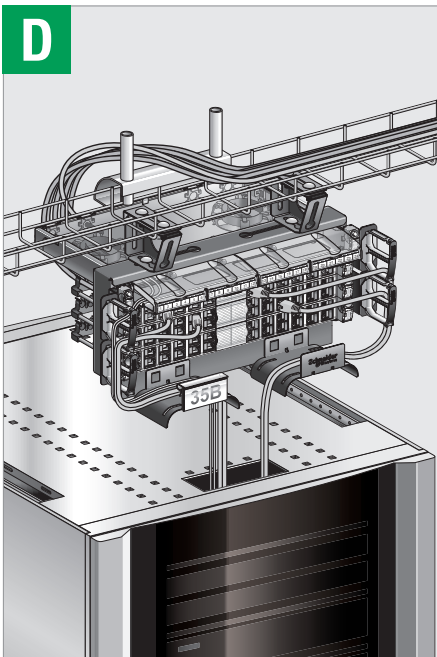
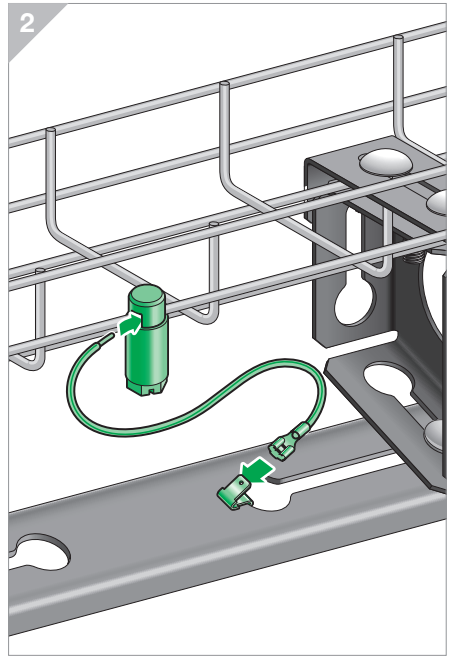
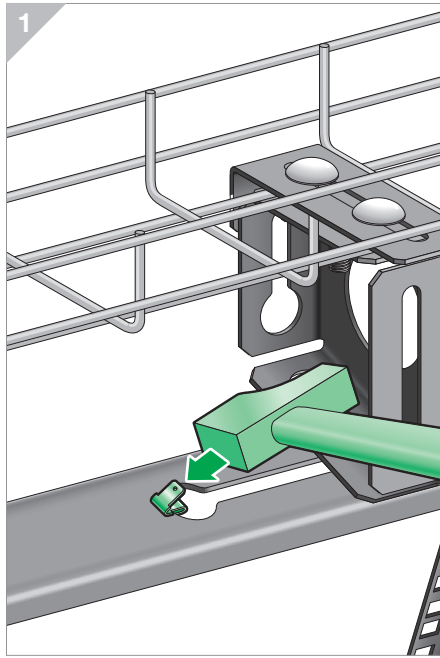
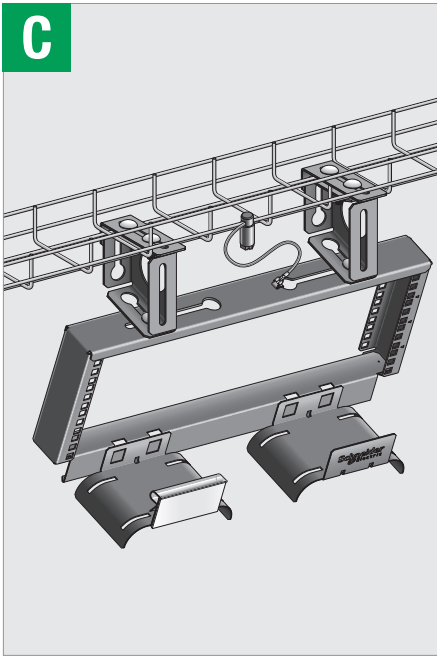














**Schneider Electric Industries SAS**  
35, rue Joseph Monier  
92500 Rueil-Malmaison, France  
[www.schneider-electric.com](http://www.schneider-electric.com)

*This product must be installed, connected and used in compliance with applicable standards and/or installation regulations. As standards, specifications and designs develop from time to time, always ask for confirmation of the information given in this publication.*