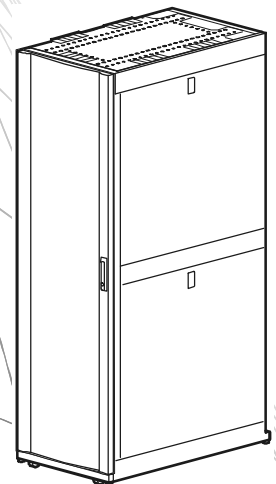


Unpacking, Installation, and Customization

NetShelter[®] SX 700-mm Wide Enclosure



AR3130



This manual is available in English on the APC Web site (www.apc.com).

本マニュアル<各国の言語に対応する>はAPC ウェブサイト (www.apc.com) からダウンロードできます。

Contents

- Product Overview 1**
 - Description 1
 - NetShelter SX Enclosures 1
- Product Inventory 2**
 - Components of the enclosure 2
- Before Installation 3**
 - Tools 3**
 - Tools (provided) 3
 - Other tools required (not provided) 3
 - Hardware 3**
 - Hardware (provided) 3
 - Unpacking 4**
 - Unpacking the enclosure 4
 - Please recycle 5
 - Disclaimer 5
 - Verify the inventory 5
 - Moving the enclosure 6
 - Configuration 7**
- Installation 8**
 - Installing the Enclosure 8**
 - Leveling the enclosure 8
 - Removing the casters and leveling feet (optional) 9
 - Rack stabilization options 9
 - Removing and Installing the Side Panels 11**
 - Removing the side panels 11
 - Reinstalling the side panels 11
 - Removing and Installing the Roof 12**
 - Removing the roof 12
 - Installing the roof 12

Removing and Installing the Doors	13
Removing the doors	13
Installing the doors	13
Reversing the front door	14
Adjusting Vertical Mounting Flanges	17
Installing Equipment	19
Identifying one U-space on the vertical mounting flange	19
Installing cage nuts	19
Removing cage nuts	19
Grounding	20
Equipment with side airflow requirements	21
Cable Management	22
Vertical 0U Accessory Channels	22
Cable management options for 700-mm enclosures	23
Cable accessories for 700-mm enclosures	25
Joining Enclosures	26
Joining the Enclosures	26
Removing the Doors of Joined Enclosures	28
Specifications	29
700-mm, 42-U Enclosure	29
Five-Year Factory Warranty	30
Terms of warranty	30
Non-transferable warranty	30
Exclusions	30
Warranty claims	31

Product Overview

Description

The American Power Conversion (APC®) NetShelter® SX 700-mm wide enclosures are high-quality enclosures for storage of industry-standard (EIA-310), 19-inch rack-mount hardware, which includes servers and voice, data, networking, internetworking, and APC power protection equipment.

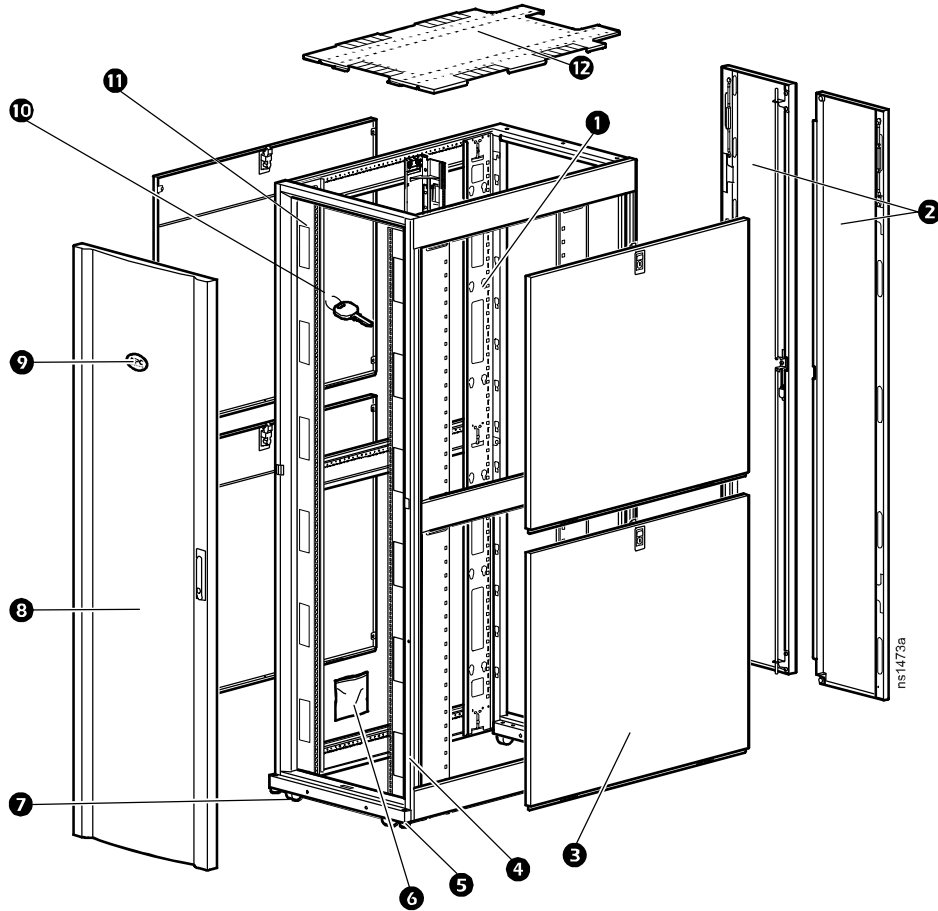
NetShelter SX Enclosures

Model	Rack Mounting Height	Rack Mounting Width	External Enclosure Width	Enclosure Depth
AR3130	42 U [†]	482 mm (19 in)	700 mm (27.55 in)	1070 mm (42.13 in)

[†]One U= 44.45 mm (1.75 in). See “Identifying one U-space on the vertical mounting flange” on page 19.

Product Inventory

Components of the enclosure



- | | |
|----------------------------|-----------------------------|
| ❶ Vertical cable organizer | ❸ Reversible curved door |
| ❷ Split doors | ❹ APC nameplate |
| ❹ Side panels with locks | ❺ Key |
| ❺ Frame posts | ❻ Vertical mounting flanges |
| ❻ Adjustable leveling feet | ❼ Roof |
| ❼ Hardware bag | |
| ❼ Casters | |

Before Installation

Tools

Tools (provided)



Torx[®] T30/#2 Phillips wrench

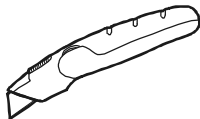


Cage nut tool

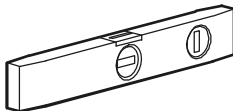
Other tools required (not provided)



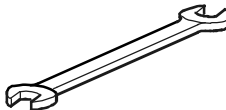
Phillips screwdriver



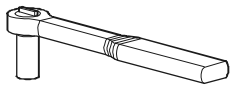
Utility knife



Level



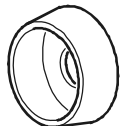
13-mm open-ended wrench



10-mm socket wrench

Hardware

Hardware (provided)



Plastic cup washers (60)



M6 x 16 Phillips slot screws (60)



M5 x 12 screws (4)



Cage nuts (60)



7-mm hole plugs (4)

Unpacking

Unpacking the enclosure



Heavy: Use at least two people to unpack the enclosure.



Warning: To prevent the enclosure from tipping over after installation:

- **Stabilize the enclosure before installing the components.** See “Rack stabilization options” on page 9.
 - **Do not extend components on sliding rails out from the enclosure until you have installed three or more pieces of similar equipment, or the stabilizer plate or bolt-down brackets are installed.** See “Rack stabilization options” on page 9.
 - Do not extend more than one component from the enclosure at a time.
 - Load the heaviest components first, and place them toward the bottom of the enclosure to prevent the enclosure from becoming top-heavy.
 - Use caution when moving an empty enclosure on its casters; the enclosure may be unstable when pushed or pulled from the side. Push the enclosure from the front or back when moving it on its casters. For extra stability, load 159 kg (350 lb) of equipment into the bottom of the enclosure before moving it on its casters.
1. Move the shipping pallet to a firm, level surface in an open area. Inspect the enclosure for visible signs of shipping damage. If you detect shipping damage, contact APC Call Center at 03-6402-2030.
 2. See the label on the packaging to determine where to cut the wrapping. Using sturdy shears or a utility knife, carefully remove the plastic stretch wrap surrounding the enclosure.



Note: Save the bag containing the warranty card and installation manual.

3. Remove the four cardboard corner protectors.
4. Remove the two pallet-mounting brackets that anchor the enclosure to the shipping pallet, using a 13-mm wrench (not provided).



Note: Save the pallet-mounting brackets if you plan to bolt the enclosure to the floor. See “Rack stabilization options” on page 9.

5. With one person on each side of the enclosure, carefully roll it toward the rear of the pallet until the rear casters clear the back edge of the pallet. Continue to slide the enclosure rearward until the rear casters touch the floor.
6. While one person carefully tips the enclosure slightly away from the pallet, have the other person pull the pallet away from the enclosure. Set the enclosure gently on its casters.



Note: Save the pallet if you plan to reship the enclosure.

7. If you are not using a rack stabilization option, use the 7-mm hole plugs (provided) to cover the holes used to attach the pallet-mounting bracket to the frame.

Please recycle



The shipping materials are recyclable. Save them for later use, or dispose of them appropriately.

Disclaimer

APC is not responsible for damage sustained during reshipment of this product.

Verify the inventory

After unpacking the enclosure, verify that all required components and hardware have been shipped with the enclosure. See “Product Inventory” on page 2 for a list of components.

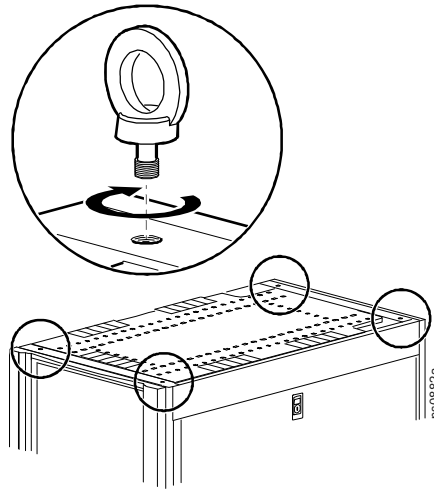


Note: If any items are missing, contact APC Customer Support at the APC Web site, www.apc.com.

Moving the enclosure

Casters. The enclosure can be moved on its casters with up to 1021 kg (2,250 lb) of equipment installed. Push the enclosure from the front or the back, not the sides; it may be unstable when pushed from the side. For greater stability, load 159 kg (350 lb) or more of equipment into the enclosure before moving it on its casters.

Eye bolts. If lifting of the enclosure is necessary, this can be done by attaching eye bolts (not included) to the top of the enclosure frame. Use appropriately rated M10 eye bolts with a shoulder for angular lifting. The maximum weight of installed equipment should be 142 kg (312 lb) per eye bolt (567 kg [1,250 lb] total).



Configuration

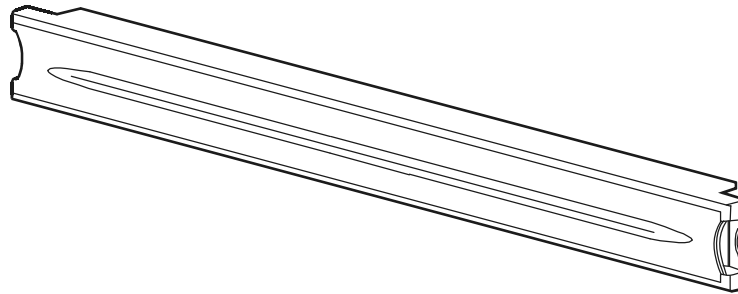
Before installing the enclosure, plan the location and space needed to install equipment, and plan the ergonomics of keyboards and video monitors.

The Rack Configurator, available on the APC Web site, www.apc.com, helps you plan your configuration to maximize the available U-space of your enclosures.



Caution: Improper airflow could damage installed components.

To maintain proper airflow, cover any empty vertical enclosure space with blanking panels (not included). APC offers modular, plastic Airflow Management Blanking Panels that snap into place without tools (AR8136BLK).



Installation

Installing the Enclosure



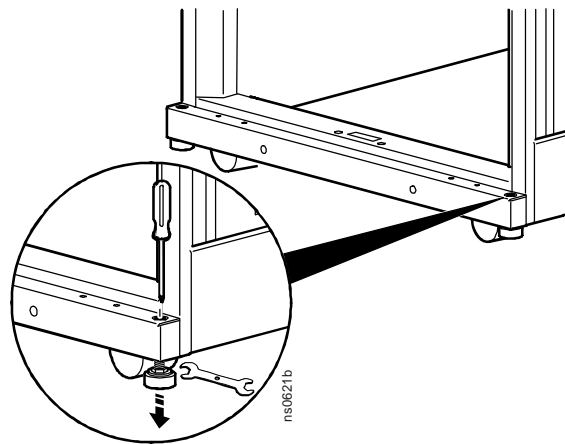
Warning: For extra stability, load 159 kg (350 lb) of equipment into the bottom of the enclosure before moving it on its casters.

Leveling the enclosure

Level the enclosure before installing equipment.

The leveling feet at the corners provide a stable base if the floor is uneven, but they cannot compensate for a badly sloped surface. You can remove the casters and leveling feet to allow the base of the enclosure to rest directly on the floor.

1. Move the enclosure to a level location.
2. For each leveling foot, insert a Phillips or slotted screwdriver (not provided) into the screw above the leveling foot. Turn the screw clockwise to extend the leveling foot until it makes firm contact with the floor.



Note: If the enclosure needs to be leveled after equipment has been installed, use a 13-mm open-ended wrench (not provided) to lower the leveling feet. For each leveling foot, fit the 13-mm end of the open-ended wrench to the hex head just above the round pad on the bottom of the foot. Turn the wrench clockwise to extend the leveling foot until it makes firm contact with the floor.

Removing the casters and leveling feet (optional)



Warning: To avoid personal injury or damage to the enclosure, two people should support the enclosure.

The enclosure should be empty and the roof, side panels, and front and rear doors should be removed before you lay the enclosure on its side.

Tilt the enclosure in an area that will allow for proper clearance above the enclosure.

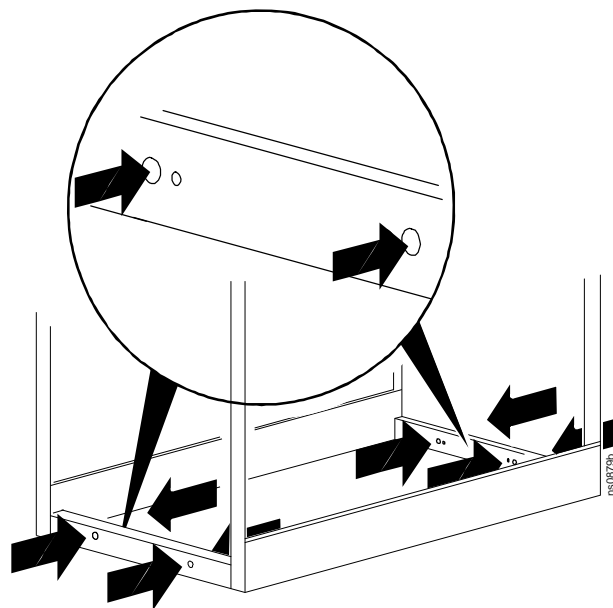
1. Lay the enclosure on its side.
2. Using a 10-mm socket wrench (not provided), remove the four hex nuts from each of the casters and remove the casters.
3. For each leveling foot, use a Phillips or slotted screwdriver (not provided) to remove the foot.

Rack stabilization options

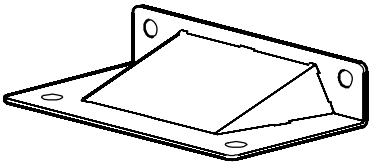
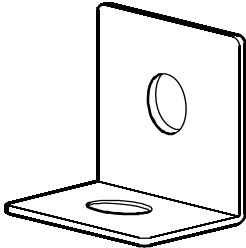
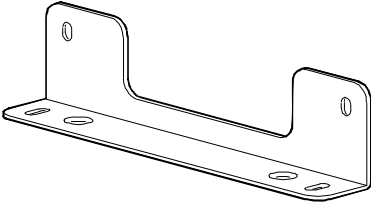


Warning: The enclosure cannot be stabilized using the bolt-down bracket or stabilization plate if the casters or leveling feet are removed.

Brackets can be used to bolt the enclosure to the floor internally or externally for additional stabilization. With the appropriate anchoring hardware (not provided), this system meets UBC Zone 4 requirements. See the APC Web site, www.apc.com, for complete UBC compliance requirements and bracket installation instructions. All brackets can be fastened to the enclosure through the holes shown in the following illustration.



APC offers the following brackets for providing stabilization.

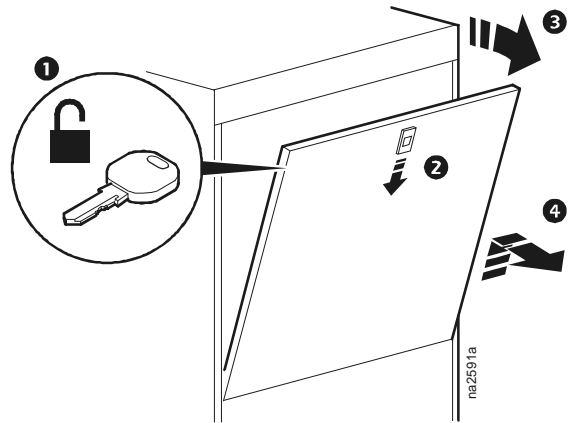
Product	SKU	Description	Figure
Stabilizer Plate Kit	AR7700	Attaches externally to the rack and floor to provide additional stability.	
Bolt-down Kit	AR7701	Attaches to the rack and floor internally or externally to provide additional stability without blocking cable access.	
Pallet Mounting Bracket (provided)		Attaches to the rack and floor internally or externally to provide additional stability.	

Removing and Installing the Side Panels

Remove the side panels to access the interior or pass cables between the enclosures when joining enclosures together. Side panels offer additional security and assist with proper airflow within the enclosure.

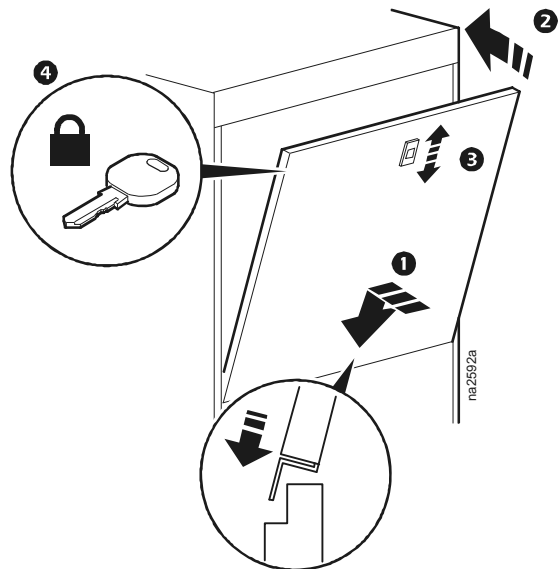
Removing the side panels

1. Use the key to unlock the panel, if necessary.
2. Slide the panel latch down and pull the top of the panel away from the enclosure.
3. Release the latch and lift the panel up and off the side brace lip at the bottom of the panel frame.



Reinstalling the side panels

1. Engage the bottom of the panel securely with the side brace lip before pushing the top of the panel forward into place.
2. Slide the panel latch up.



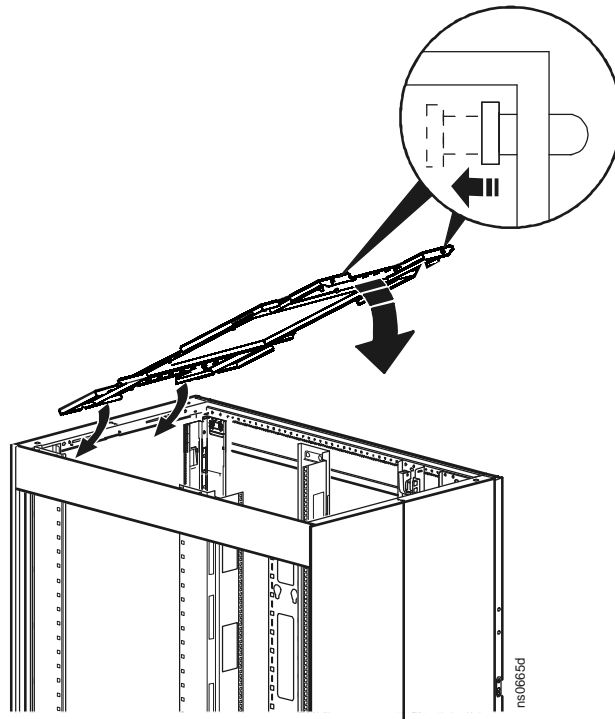
Removing and Installing the Roof

Removing the roof

1. Pull and hold the two spring pins in the rear of the enclosure.
2. Push the roof up from the enclosure.
3. Lift the roof off the enclosure.

Installing the roof

1. Slide the tabs on the front of the roof into the slots in the front of the enclosure.
2. Lower the roof into the enclosure, while pulling the two spring pins in the rear of the roof.
3. Release the pins to secure the roof to the enclosure.



Warning: To avoid damage or injury, do not use the roof as a walkway.



Note: The roof can be removed and reinstalled even if cables are routed through the top of the enclosure.

Removing and Installing the Doors



Warning: To avoid personal injury or damage to the enclosure, one person should support the door while another person removes the door from its frame.

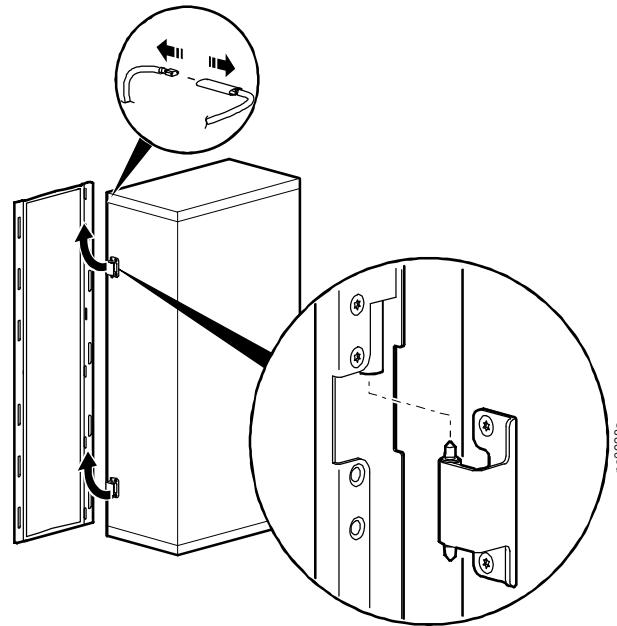


Note: If the enclosures are joined together, see “Removing the Doors of Joined Enclosures” on page 28.

Removing the doors

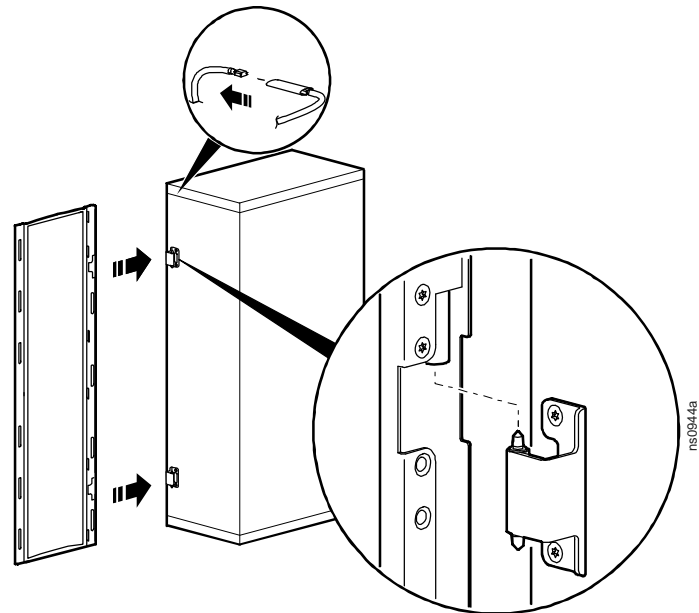
You can remove the front and rear doors of the enclosure to gain better access to equipment.

1. Disconnect the grounding wire.
2. Open the door to approximately 90 degrees and lift it up and off the hinges.



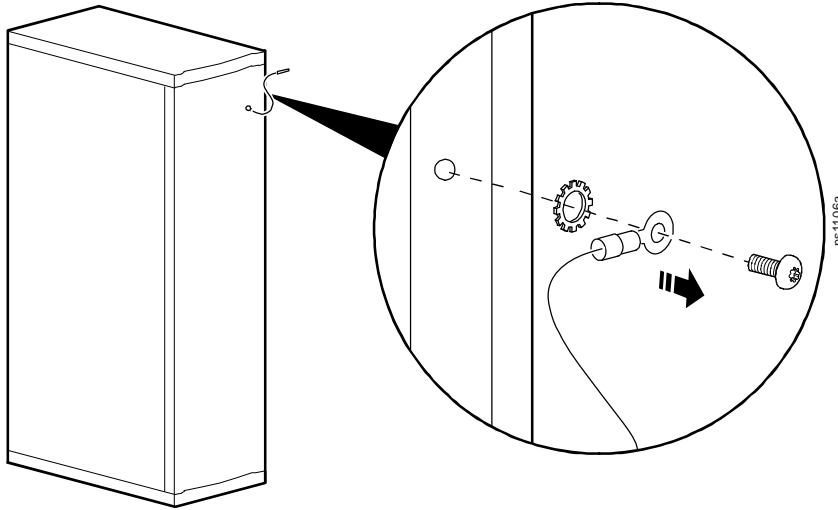
Installing the doors

1. Hold the door approximately 90 degrees to the frame of the enclosure. Align the door hinges with the hinge pins on the frame.
2. Lower the door onto the hinge pins, making sure the pins engage with the hinge barrels on the door.
3. Reconnect the grounding wire.
4. Make sure that the door opens and closes properly.

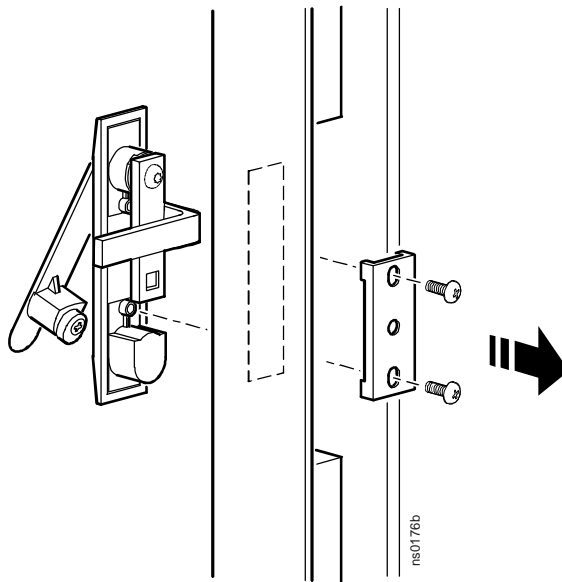


Reversing the front door

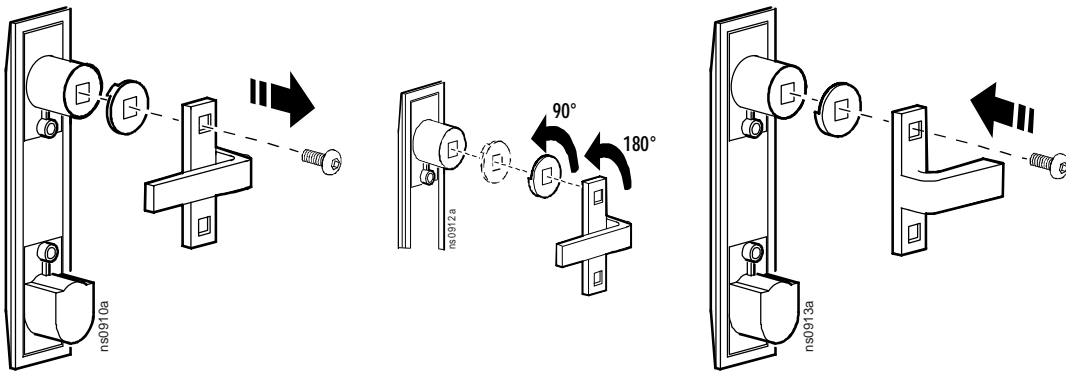
1. Remove the APC nameplate from the front door.
2. Remove the M6 x 12 pan-head screws and star washers that secure the grounding wire to the frame and door, using the Torx T30/#2 Phillips wrench (provided).



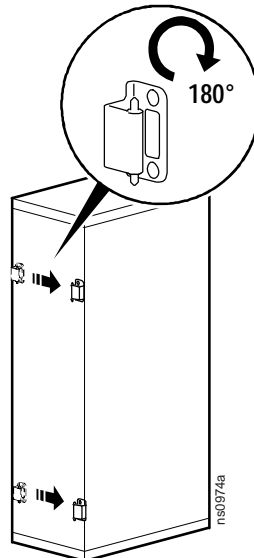
3. Remove the two Phillips screws from the rear of the door handle assembly, and remove the handle assembly from the door.



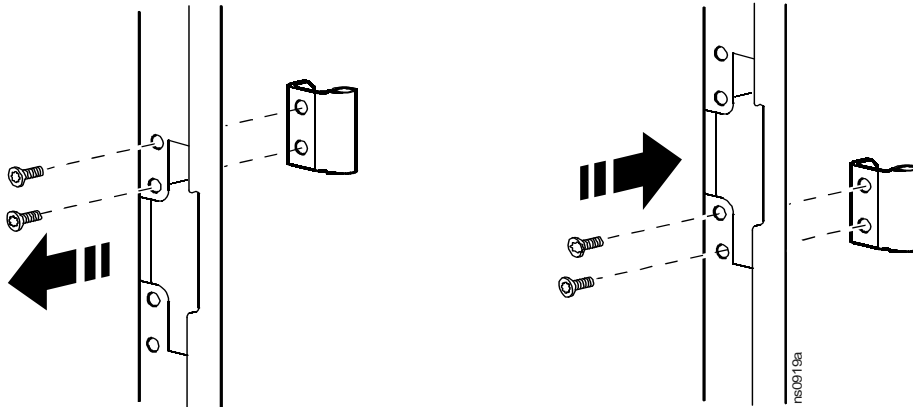
4. Remove the screw, latch, and washer from the back of the door handle assembly using the Torx T30/#2 Phillips wrench (provided). Rotate the washer 90 degrees and the latch 180 degrees and reattach the latch.



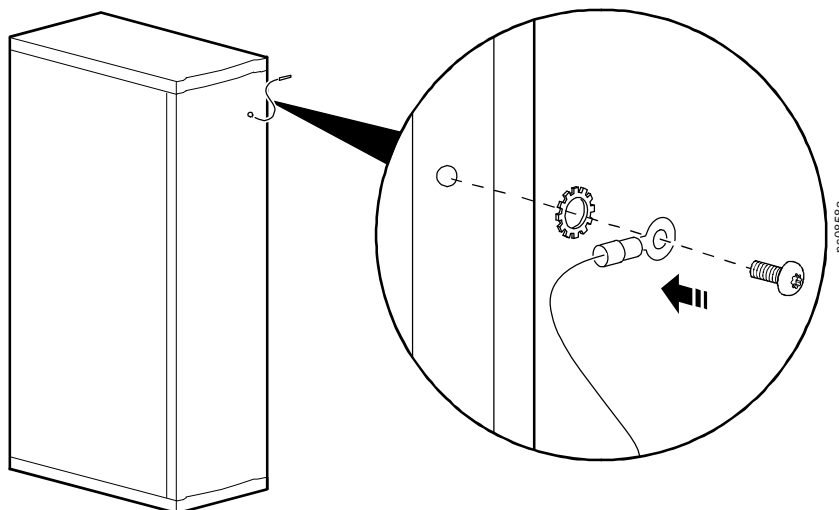
5. Remove the door. See “Removing the doors” on page 13.
6. Remove the hinges from the frame using the Torx T30 /#2 Phillips wrench (provided). Rotate the hinges 180 degrees, and reinstall them on the other side of the frame of the enclosure.



7. Remove the hinges from the door and reinstall them using the set of holes directly below where they were originally installed.



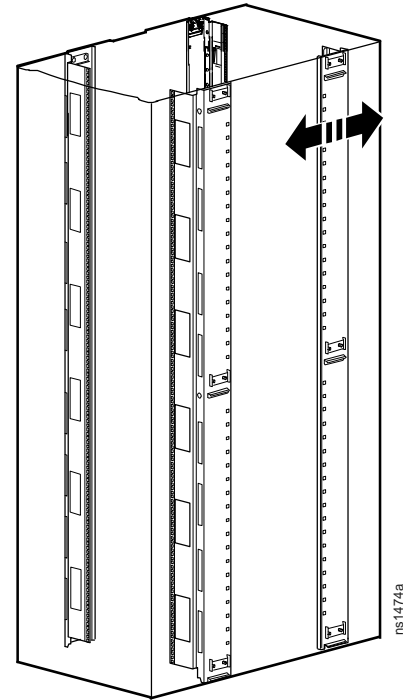
8. Rotate the door 180 degrees and reinstall the door. See “Installing the doors” on page 13.
9. Reinstall the grounding wire at the top of the door, near the hinges, and to the enclosure frame using the M6 x 12 pan-head screw and star washer.



10. Rotate the door handle assembly 180 degrees and reinstall it using the screws removed in step 2.
11. Reinstall the APC nameplate on the front door of the enclosure.

Adjusting Vertical Mounting Flanges

Four vertical mounting flanges come factory-installed for use with rack-mountable equipment that has a depth of 737 mm (29 in). The mounting flanges are adjustable towards the front or the rear of the enclosure to accommodate different rails or equipment with various depths. The front and rear mounting flanges can be adjusted to be as close together as 292.10 mm (11.50 in) or as far apart as 787.40 mm (31 in).

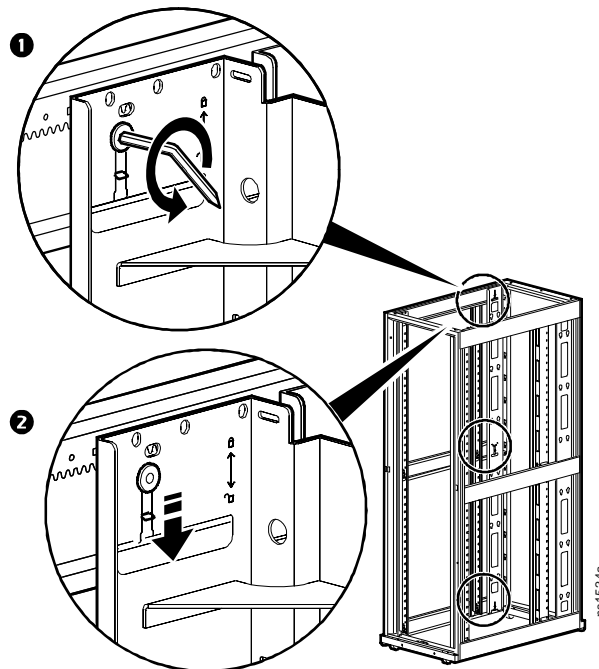


To adjust a vertical mounting flange:



Warning: To avoid personal injury or damage to the enclosure, perform this procedure without any equipment installed on the mounting flanges.

1. Unlock the vertical mounting flange. Use the Torx T30/#2 Phillips wrench (provided) to loosen—but not remove—the Torx screws in the slots at the top, middle, and bottom of a mounting flange.

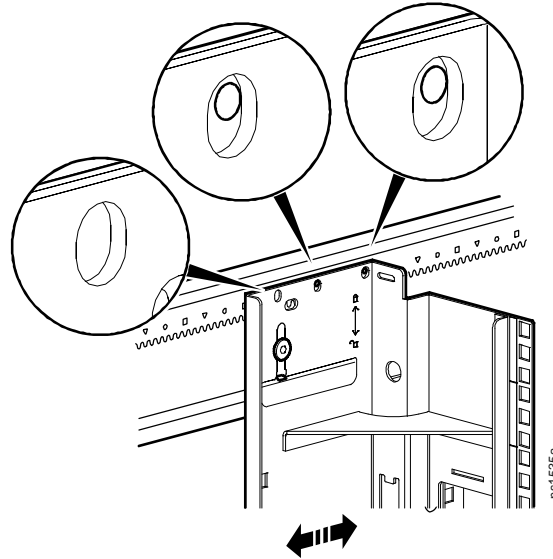


2. Reposition the mounting flange. Make sure the symbols that are visible through the three holes in the top and bottom of the flange match.

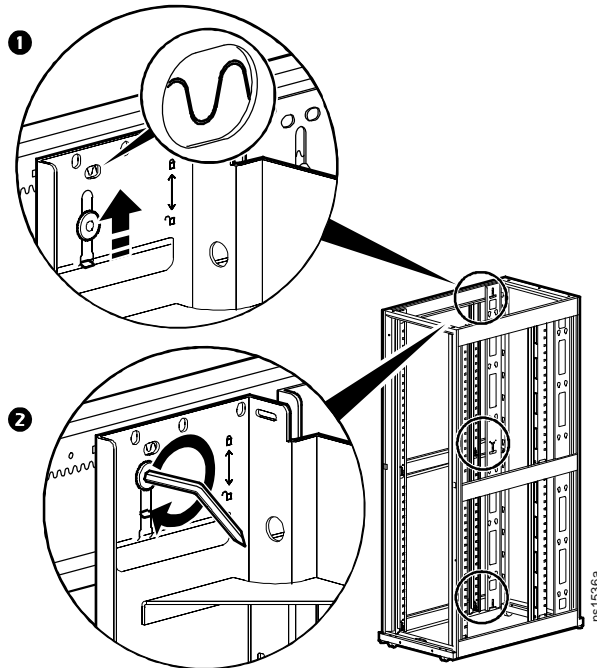


Note: Mounting flanges adjust in 6-mm (1/4-in) increments.

Note: Mounting flanges placed across from each other must have the same visible symbols.



3. Lock the mounting flange.

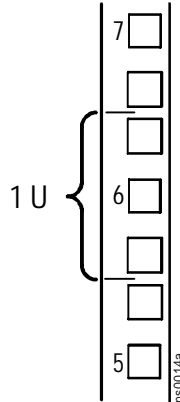


Installing Equipment

This section provides information on how to install rack-mount equipment in the NetShelter SX enclosure. The instructions provided with the equipment provide more detailed information.

Identifying one U-space on the vertical mounting flange

When installing equipment, locate the top and bottom of a U-space on the mounting flanges. Every third hole on the mounting flanges of a NetShelter enclosure is numbered to indicate the middle of a U-space. A U-space consists of one of these numbered holes and one hole directly above and below it, as shown.



Installing cage nuts

APC offers a cage nut hardware kit (AR8100) for use with square holes.



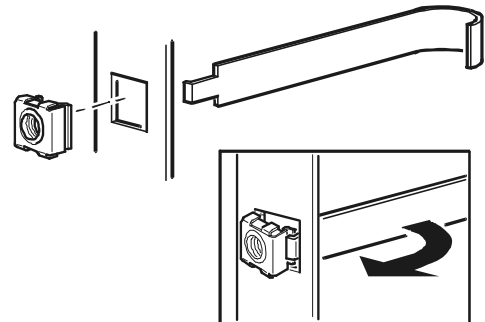
Warning: Install cage nuts horizontally, with the ears engaging the sides of the square hole. Do NOT install cage nuts vertically with the ears engaging the top and bottom of the square hole.

1. Insert the cage nut into the square hole by hooking one ear of the cage nut assembly through the far side of the hole.



Note: Install the cage nuts on the interior of the vertical mounting flange.

2. Place the cage nut tool (provided) on the other side of the cage nut and pull to snap it into position.



Removing cage nuts

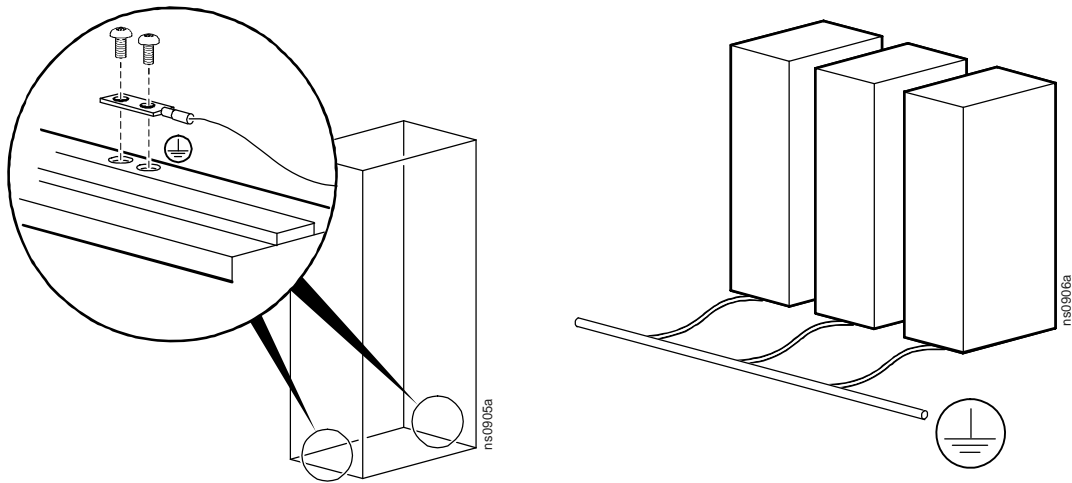
1. Remove any attached screw.
2. Grasp the cage nut and squeeze the sides to release it from the square hole.

Grounding

The doors, side panels, and roof of the enclosure are grounded to the enclosure frame. The doors are grounded with quick-disconnect cables. The roof and side panels are inherently grounded through spring fingers.

Each enclosure should be grounded directly to the building ground using one of the grounding nuts at the base of the enclosure.

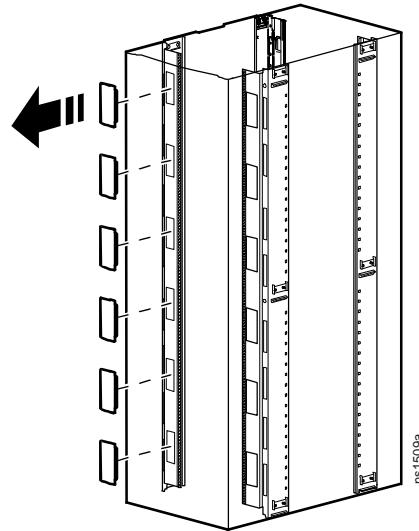
Ground each enclosure directly to the building ground. Do not ground one enclosure to another enclosure in a cascading style.



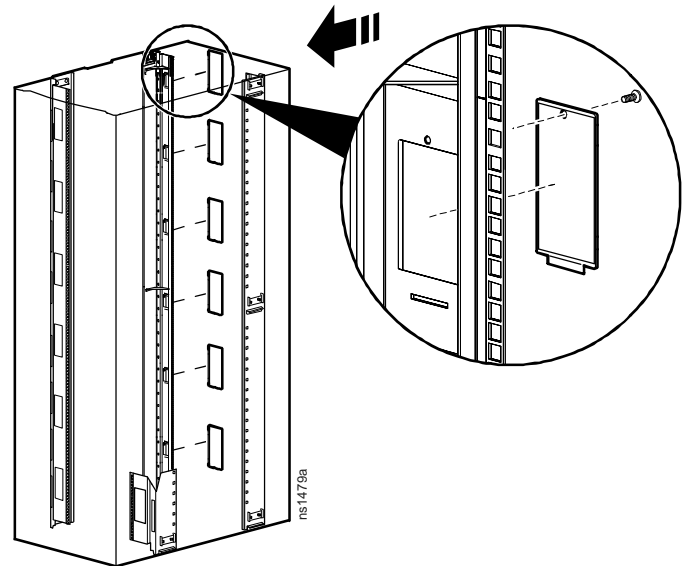
Equipment with side airflow requirements

For enclosures storing equipment that requires side airflow, the cable cutout covers that are installed in the vertical mounting flange need to be removed and repositioned to the rear of the enclosure.

1. Determine which side of the enclosure is the air intake side for the equipment.
2. Remove the cable cutout covers from the front vertical mounting flange of the air intake side of the enclosure.



3. Reinstall the covers in the cable cutout holes on the rear vertical mounting flange of the air intake side of the enclosure.



Cable Management

The NetShelter SX enclosure has multiple cable access openings, including the roof, sides, and bottom. Two rear cable channels are included with the enclosure, and APC offers a variety of other cable management accessories.

Vertical 0U Accessory Channels

The vertical 0U accessory channels attach to the enclosure anywhere along the side braces and provide toolless mounting capabilities for APC Rack Power Distribution Units, APC cable containment brackets, and tie-off locations for cables. The standard position for the vertical 0U accessory channels are in the rear of the enclosure, but they can be mounted anywhere along the side braces in a similar manner as the mounting flanges.

Removing or relocating vertical 0U accessory channels.

Vertical 0U accessory channels can be relocated within the enclosure or removed completely.

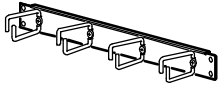
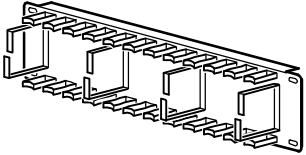
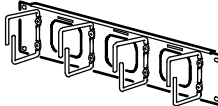
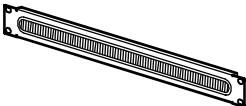
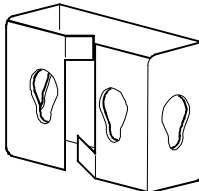

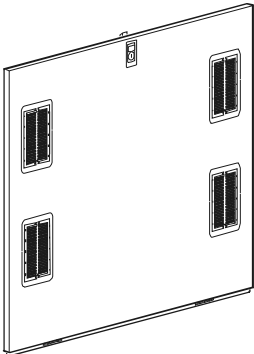
1. Loosen the screws that attach the vertical 0U accessory channels to the enclosure.
2. Move the vertical 0U accessory channel to the desired location or lift it up and pull it toward the inside of the enclosure.
3. Align the vertical 0U accessory channels properly. The vertical 0U accessory channels align in the same way as the vertical mounting flanges. See “To adjust a vertical mounting flange:” on page 17.

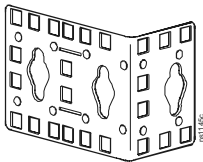
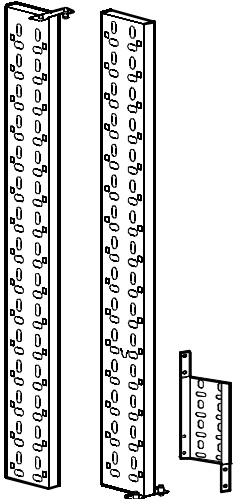
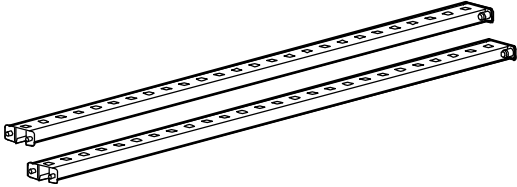

Additional vertical 0U accessory channels can be ordered from APC (AR7502 for the 42-U enclosure).


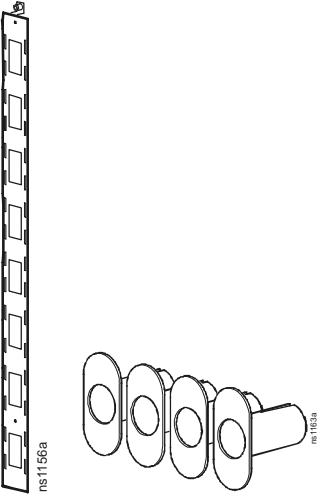
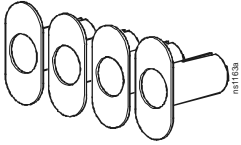
The 700-mm wide enclosure features openings in the front vertical mounting flanges for cable access. These openings are sealed with covers to restrict airflow, but the covers can be removed to access cables.

If the vertical mounting flanges of the 700-mm wide enclosure are moved toward the back of the enclosure, APC offers a NetShelter SX Air Recirculation Prevention Kit (AR7708) with additional plastic covers and foam strips to seal openings.

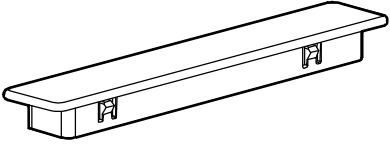
Cable management options for 700-mm enclosures

Product	SKU	Description	Figure
19-inch horizontal cable organizer	AR8425A (1U) AR8426A (2U)	Routes cables horizontally on the front or back of the 19-inch EIA rack.	
19-inch 2-U patch cord organizer	AR8427A	Routes cables horizontally on the front or back of the 19-inch EIA rack.	
19-inch 2-U horizontal cable organizer pass-through	AR8428	Routes cables horizontally or front-to-rear.	
19-inch 1-U cable pass-through with brush strip	AR8429	Assists with containing air in the enclosure.	
Cable containment brackets	AR7710	Contains cables along the vertical 0U accessory channel and is installed without tools.	
Brush strip kit for roof	AR7714	Replacement brush strips for roof cable openings.	
Side panel with access holes	AR7305	Side panels that allow pass-through to adjacent enclosures. Holes contain brushes to control the airflow.	

Product	SKU	Description	Figure
Zero-U accessory mounting bracket	AR7711	The bracket can be mounted in various locations throughout the enclosure for supporting small accessories and equipment.	
Cable tree	AR7505	Routes cables or attaches PDUs vertically in the rear of the enclosure. Consists of three pieces, including a smaller piece that allows it to be installed in a 48-U enclosure.	
Roof bridge	AR7209	Replaces the standard roof to allow increased cabling access while still supporting InfraStruXure troughs and partitions. Consists of two pieces of equal size. (Not for use in 1200-mm deep enclosures.)	
Vertical Cable Organizer for NetShelter 0-U Channel	AR8442	Eliminates cable stress by organizing cable layout within the vertical 0U accessory channel. Takes up zero U of space within the enclosure. Consists of two pieces of equal size that, when connected, span the height of a 42-U enclosure. Can be used in any APC enclosure.†	

Product	SKU	Description	Figure
Narrow rear cable channel for 42-U enclosure	AR7511	Compliments the standard vertical 0U accessory channel by offering additional options. The narrow channel can be used in the front of the enclosure to mount fiber cable spools and vertical cable managers or can be used in the middle of the enclosure for cable tie off. In addition, keyholes are provided to mount one vertical Rack PDU per channel.	
Vertical fiber organizer and spools	AR8443A	Provide a method to manage fiber cabling within an enclosure and mount toollessly into the vertical 0U accessory channel of the enclosure.	
Fiber organizer (spools only)	AR8444	Can be mounted toollessly to the vertical fiber organizer or attached with screws to the mounting rails of 700-mm wide enclosures.	

Cable accessories for 700-mm enclosures

Product	SKU	Description	Figure
NetShelter SX air recirculation prevention kit	AR7708	Maintains proper airflow if the front vertical mounting flanges are moved to the rear of the enclosure.	

Joining Enclosures

Joining the Enclosures

You can expand your installation by joining two enclosures together. All enclosures include pre-installed joining hardware.



Caution: Joining enclosures together does not provide additional stability to the enclosures.



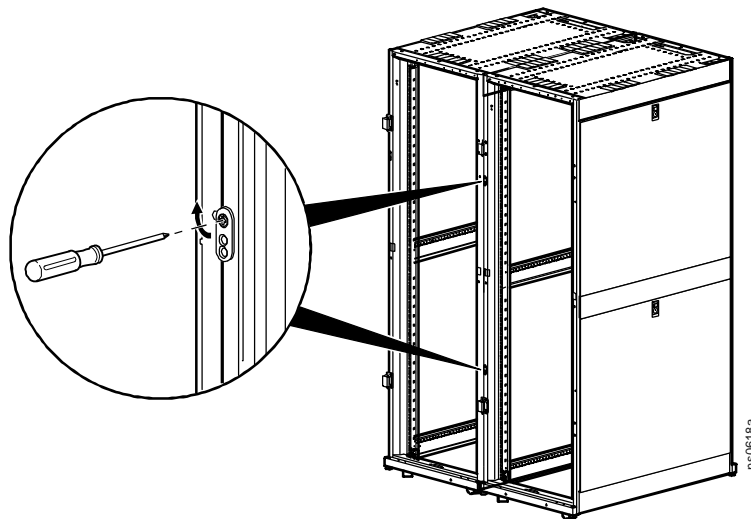
Note: NetShelter SX enclosures can be joined with or without side panels installed.

1. Remove the front doors from the enclosures if necessary.

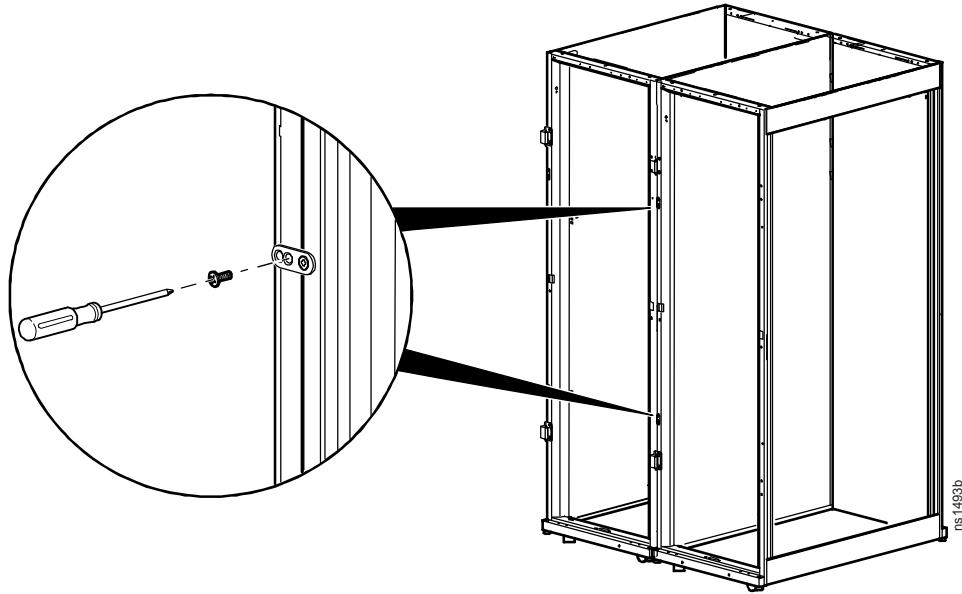


See “Removing the doors” on page 13.

2. Locate the four joining brackets on the enclosure—two brackets on the front and two brackets on the rear. Rotate each bracket ninety degrees toward the adjoining enclosure, so that the brackets are parallel to the floor.



3. Align the inner-most set of holes on the joining brackets with the front and rear of the enclosures and secure the enclosures using one M5 x 12 flat-head screw per bracket.



4. Reconnect the grounding wires, and reinstall the doors, if needed.

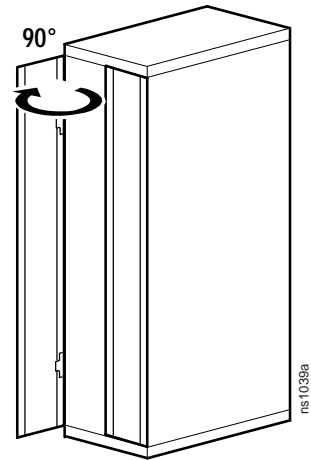


See “Installing the doors” on page 13.

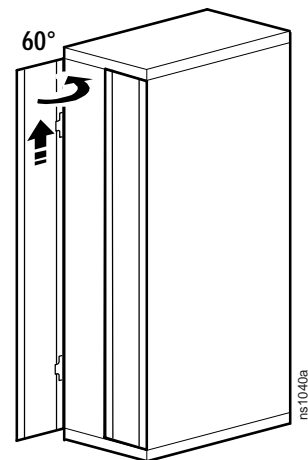
Removing the Doors of Joined Enclosures

If enclosures are joined together, the door removal process is slightly different than on a single enclosure. Follow these steps to remove either a front or rear door from an enclosure that is joined to another enclosure.

1. Open the door you wish to remove to a 90 degree angle. The door will not open any farther than this because of the enclosure next to it.
2. Lift the door upward.



3. As you lift the door, turn it back to 60 degrees from the rack and lift the door off of its hinges to remove it.



Specifications

700-mm, 42-U Enclosure

Item	Measurements
	AR3130
Height	1991 mm (78.40 in)
Width	700 mm (27.56 in)
Depth	1070 mm (42.13 in)
Net weight	137.84 kg (303.90 lb)
Total open area (front door)	593 018 mm ² (919.18 in ²)
Total open area (rear door)	669 276 mm ² (1,037.38 in ²)
Open area per U (front door)	14 129 mm ² (21.90 in ²)
Open area per U (rear door)	15 935 mm ² (24.70 in ²)
Percent open (front)	66%
Percent open (rear)	74%
Clearance (for wiring between front door and vertical rail)	60.96 mm (2.40 in)
Weight rating (static load [†])	1361 kg (3,000 lb)
Weight rating (rolling)	1020 kg (2,249 lb)
Weight rating (shipping [‡])	567 kg (1,250 lb)

[†] Lower the leveling feet if the static weight is over 1020 kg (2,249 lb).

[‡] Additional packaging may be required if the rack is being reshipped with equipment installed. See the APC Web site, www.apc.com, for details.

Five-Year Factory Warranty

The limited warranty provided by American Power Conversion (APC®) in this Statement of Limited Factory Warranty applies only to products you purchase for your commercial or industrial use in the ordinary course of your business.

Terms of warranty

APC warrants its products to be free from defects in materials and workmanship for a period of five years (two years in Japan) from the date of purchase. The obligation of APC under this warranty is limited to repairing or replacing, at its sole discretion, any such defective products. This warranty does not apply to equipment that has been damaged by accident, negligence, or misapplication or has been altered or modified in any way. Repair or replacement of a defective product or part thereof does not extend the original warranty period. Any parts furnished under this warranty may be new or factory-remanufactured.

Non-transferable warranty

This warranty extends only to the original purchaser who must have properly registered the product. The product may be registered at the APC Web site, www.apc.com.

Exclusions

APC shall not be liable under the warranty if its testing and examination disclose that the alleged defect in the product does not exist or was caused by end user's or any third person's misuse, negligence, improper installation or testing. Further, APC shall not be liable under the warranty for unauthorized attempts to repair or modify wrong or inadequate electrical voltage or connection, inappropriate on-site operation conditions, corrosive atmosphere, repair, installation, start-up by non-APC designated personnel, a change in location or operating use, exposure to the elements, Acts of God, fire, theft, or installation contrary to APC recommendations or specifications or in any event if the APC serial number has been altered, defaced, or removed, or any other cause beyond the range of the intended use.

THERE ARE NO WARRANTIES, EXPRESS OR IMPLIED, BY OPERATION OF LAW OR OTHERWISE, OF PRODUCTS SOLD, SERVICED OR FURNISHED UNDER THIS AGREEMENT OR IN CONNECTION HEREWITH. APC DISCLAIMS ALL IMPLIED WARRANTIES OF MERCHANTABILITY, SATISFACTION AND FITNESS FOR A PARTICULAR PURPOSE. APC EXPRESS WARRANTIES WILL NOT BE ENLARGED, DIMINISHED, OR AFFECTED BY AND NO OBLIGATION OR LIABILITY WILL ARISE OUT OF, APC RENDERING OF TECHNICAL OR OTHER ADVICE OR SERVICE IN CONNECTION WITH THE PRODUCTS. THE FOREGOING WARRANTIES AND REMEDIES ARE EXCLUSIVE AND IN LIEU OF ALL OTHER WARRANTIES AND REMEDIES. THE WARRANTIES SET FORTH ABOVE CONSTITUTE APC'S SOLE LIABILITY AND PURCHASER'S EXCLUSIVE REMEDY FOR ANY BREACH OF SUCH WARRANTIES. APC WARRANTIES EXTEND ONLY TO PURCHASER AND ARE NOT EXTENDED TO ANY THIRD PARTIES.

IN NO EVENT SHALL APC, ITS OFFICERS, DIRECTORS, AFFILIATES OR EMPLOYEES BE LIABLE FOR ANY FORM OF INDIRECT, SPECIAL, CONSEQUENTIAL OR PUNITIVE DAMAGES, ARISING OUT OF THE USE, SERVICE OR INSTALLATION, OF THE PRODUCTS, WHETHER SUCH DAMAGES ARISE IN CONTRACT OR TORT, IRRESPECTIVE OF FAULT, NEGLIGENCE OR STRICT LIABILITY OR WHETHER APC HAS BEEN ADVISED IN ADVANCE OF THE POSSIBLY OF SUCH DAMAGES. SPECIFICALLY, APC IS NOT LIABLE FOR ANY COSTS, SUCH AS LOST PROFITS OR REVENUE, LOSS OF EQUIPMENT, LOSS OF USE OF EQUIPMENT, LOSS OF SOFTWARE, LOSS OF DATA, COSTS OF SUBSTITUENTS, CLAIMS BY THIRD PARTIES, OR OTHERWISE.

NO SALESMAN, EMPLOYEE OR AGENT OF APC IS AUTHORIZED TO ADD TO OR VARY THE TERMS OF THIS WARRANTY. WARRANTY TERMS MAY BE MODIFIED, IF AT ALL, ONLY IN WRITING SIGNED BY AN APC OFFICER AND LEGAL DEPARTMENT.

Warranty claims

Customers with warranty claims issues may access the APC customer support network through the Support page of the APC Web site, www.apc.com/support. Select your country from the country selection pull-down menu at the top of the Web page. Select the Support tab to obtain contact information for customer support in your region.

APC Worldwide Customer Support

Customer support for this or any other APC product is available at no charge in any of the following ways:

- Visit the APC Web site to access documents in the APC Knowledge Base and to submit customer support requests.
 - **www.apc.com** (Corporate Headquarters)
Connect to localized APC Web sites for specific countries, each of which provides customer support information.
 - **www.apc.com/support/**
Global support searching APC Knowledge Base and using e-support.
- Contact the APC Customer Support Center by telephone or e-mail.
 - Local, country-specific centers: go to **www.apc.com/support/contact** for contact information.

For information on how to obtain local customer support, contact the APC representative or other distributors from whom you purchased your APC product.

© 2009 APC by Schneider Electric. APC, the APC logo, NetShelter, and InfraStruXure are owned by Schneider Electric Industries S.A.S., American Power Conversion Corporation, or their affiliated companies. All other trademarks are property of their respective owners.



990-3580-001

5/2009