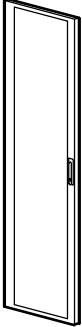
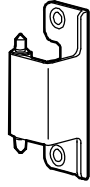
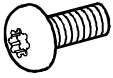



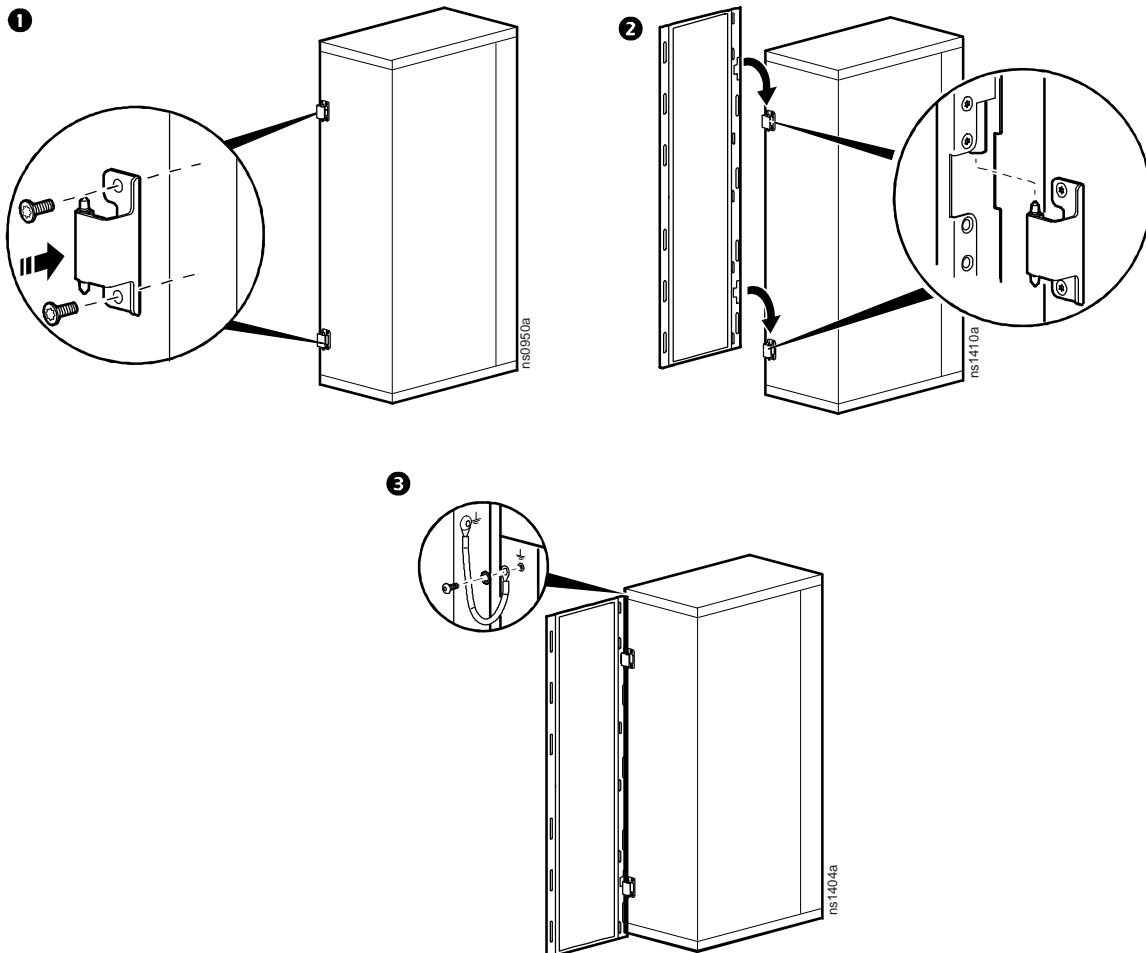


NetShelter[®] VL Enclosure Front Door (AR7002)—Installation Instructions

Inventory

					
1	2	1	1	4	1

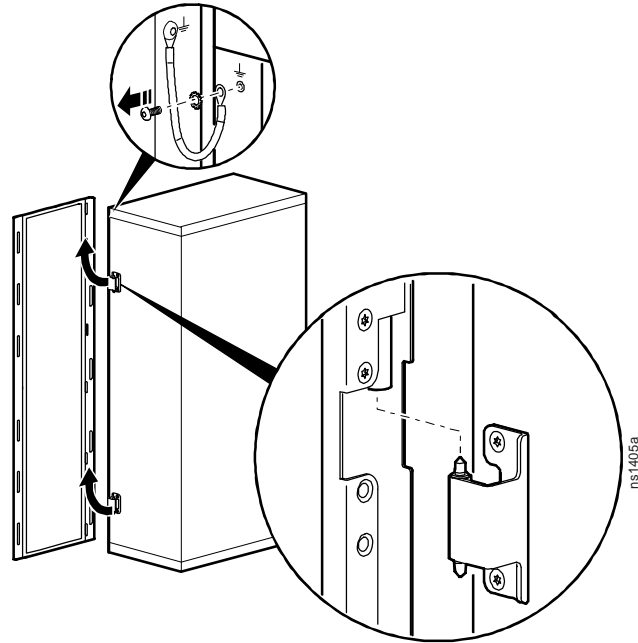
Installing the door



Removing the door

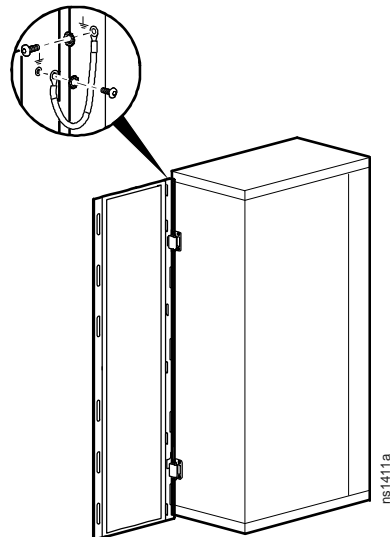


Note: Open the door at least 90 degrees before lifting it up and off the hinges.

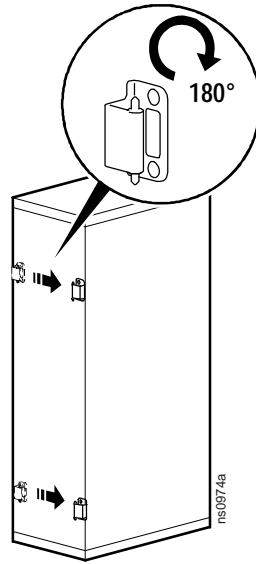


Reversing the door

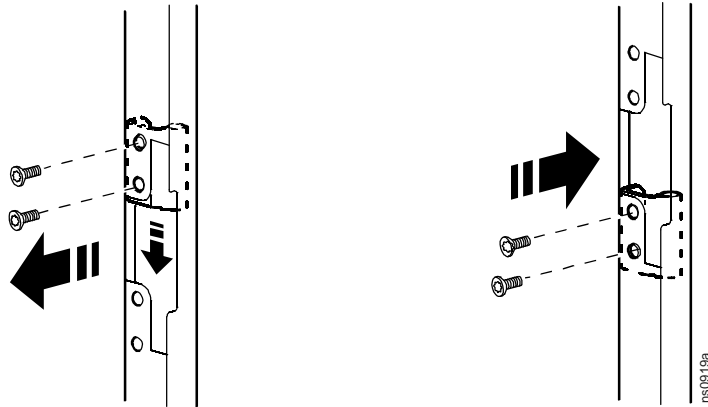
1. Remove the grounding wire.



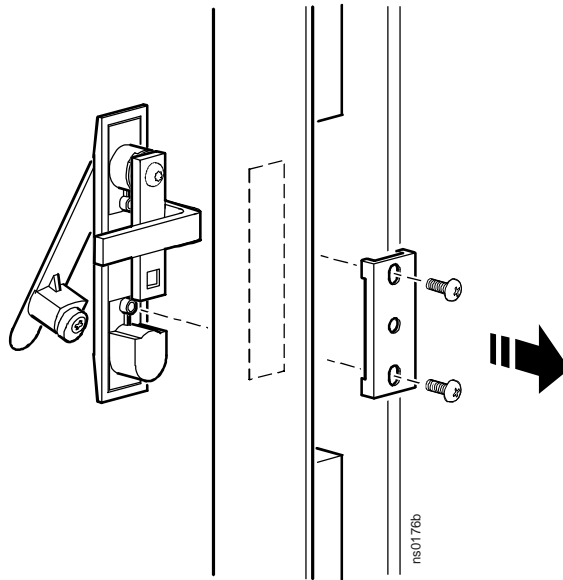
2. Remove the door.
3. Remove the hinges from the enclosure, rotate the hinges 180 degrees, and then reinstall them on the other side of the enclosure frame.



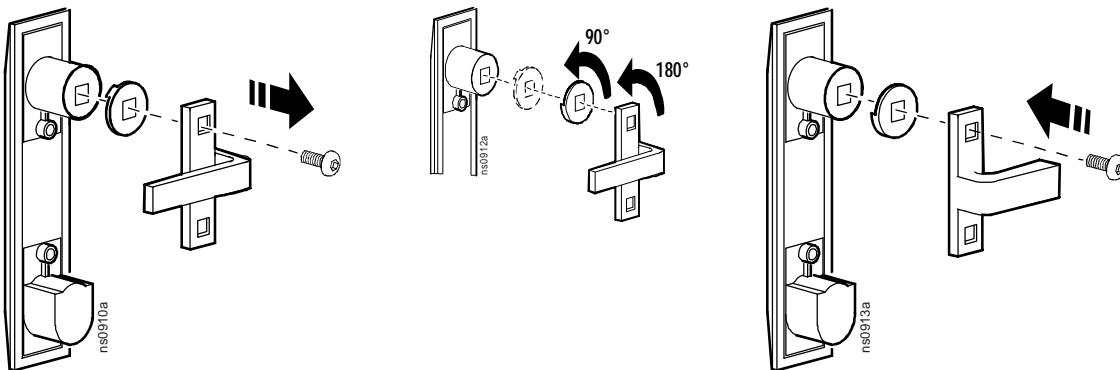
4. Remove the screws securing the hinges in the door. Reposition and reinstall the hinges.



5. Remove the handle assembly from the door.



6. Remove the screw, latch, and washer from the door handle assembly. Rotate the washer 90 degrees and the latch 180 degrees; then reinstall the washer, latch, and screw.



7. Reinstall the door.

8. Reinstall the door handle assembly.

9. Reinstall the grounding wire.



Customer support and warranty information is available at the APC Web site, www.apc.com.

© 2009 American Power Conversion. All rights reserved. All APC trademarks are property of American Power Conversion. Other trademarks are property of their respective owners.

990-3477A-001
10/2009