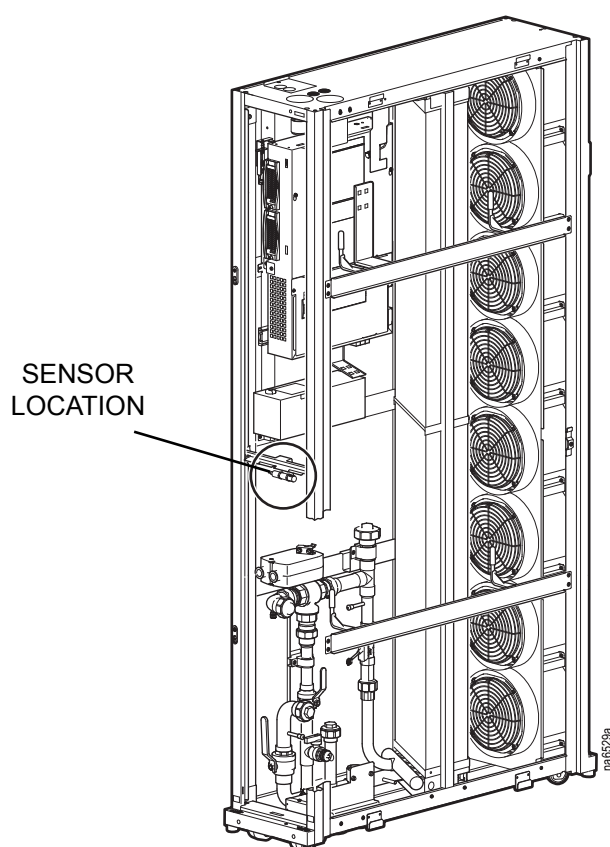


## Installation Sheet—Temperature and Humidity Sensor for ACRC301H

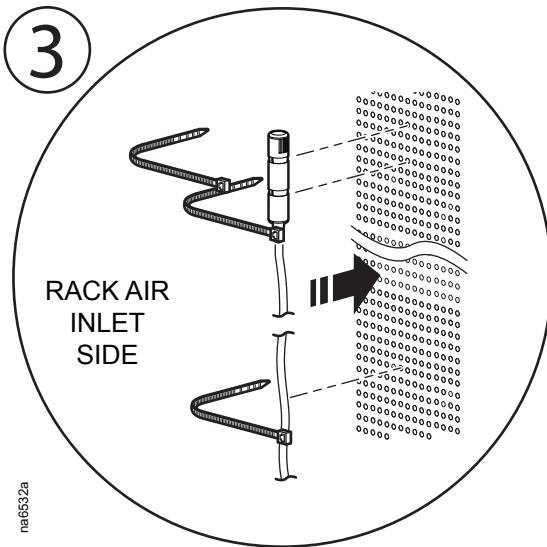
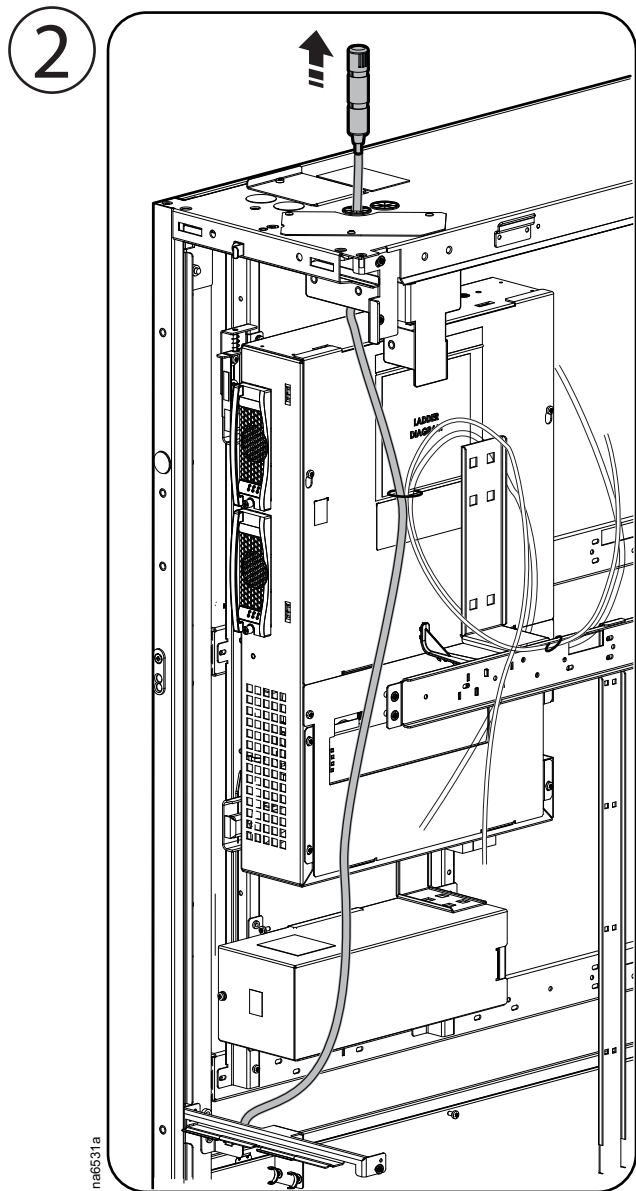
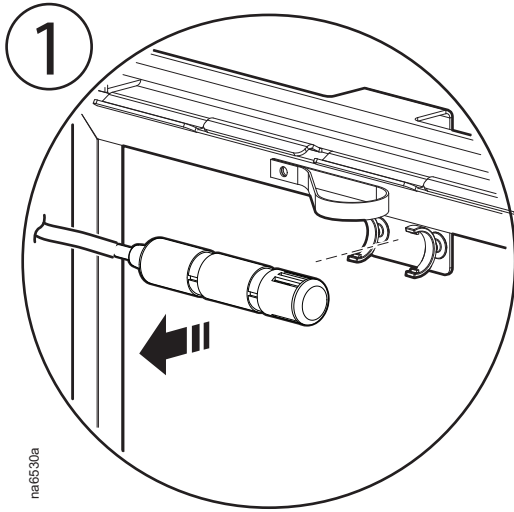
### Installation Considerations

The temperature and humidity sensor located in the middle of the rear of the ACRC301H cooling unit is used to calculate the dew point. It is recommended to relocate the sensor to the front of a rack in the cold aisle (rack air inlet side). It is not recommended to place the sensor in front of areas with little to no active rack air flow.

**NOTE:** The sensor will still operate properly if it is not relocated; however, the readings will not be as accurate.



# Installation



Customer support and warranty information is available at the Schneider Electric Web site, [www.schneider-electric.com](http://www.schneider-electric.com).

As standards, specifications, and designs change from time to time, please ask for confirmation of the information given in this publication.  
All trademarks owned by Schneider Electric Industries SAS or its affiliated companies.

990-91055  
8/2017