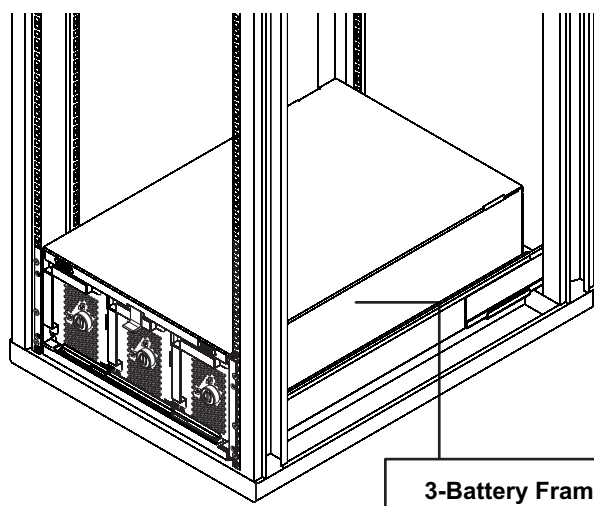
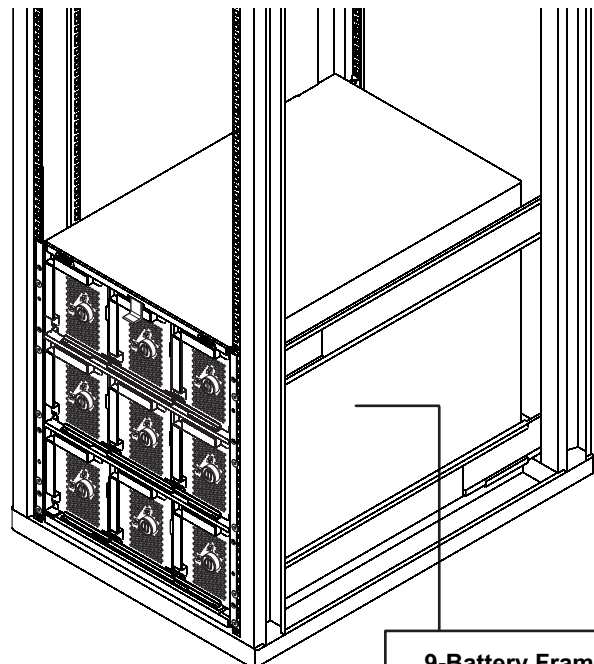


Symmetra[®] LX

Rail and Bracket Installation for Pre-assembled Rack-mount Extended Run Cabinet



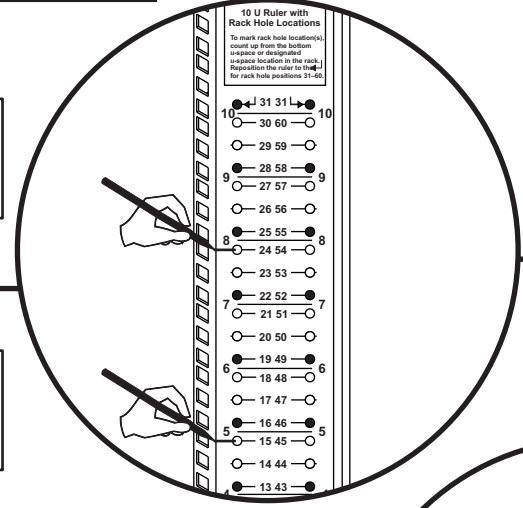
Steps 1-3

Also see Symmetra[®] LX Physical Installation Rack-mount Extended Run Cabinet

1

9-Battery Frame
15, 24, 33 Front

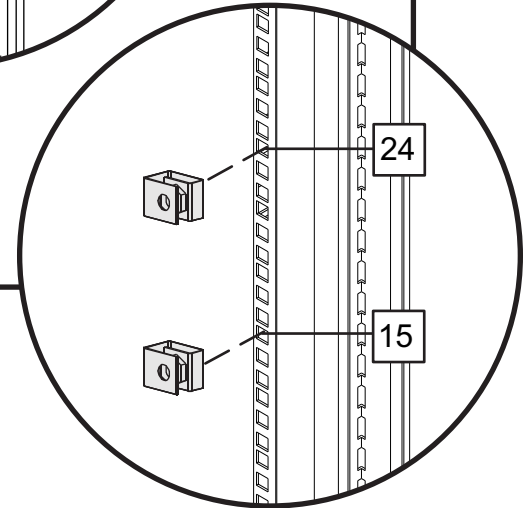
3-Battery Frame
13 Front



2

9-Battery Frame
15, 24, 33 Front

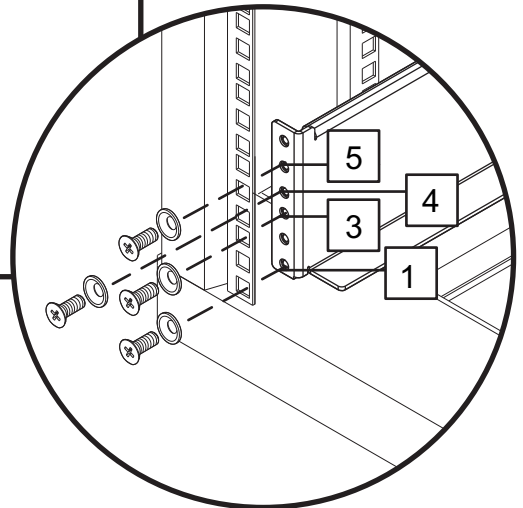
3-Battery Frame
13 Front



3

9-Battery Frame
1, 3, 4, 5 Front
2, 3, 4, 5 Rear

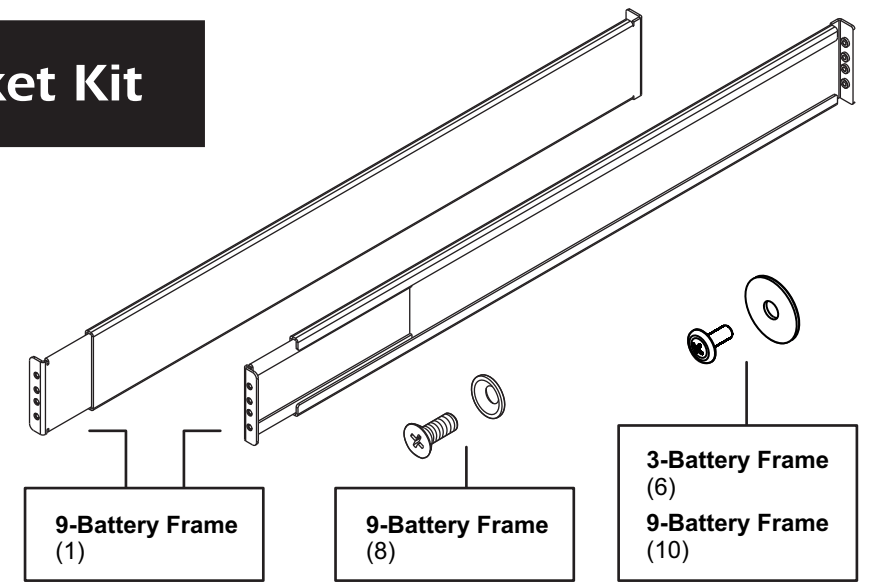
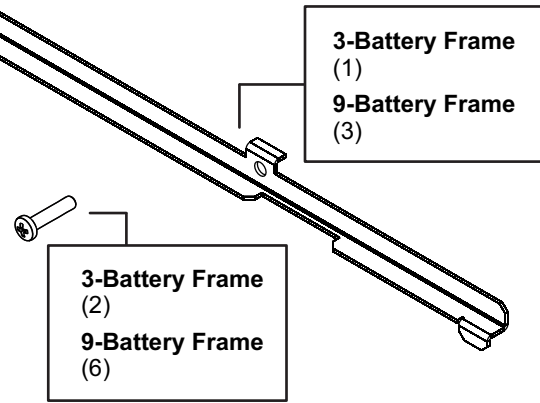
3-Battery Frame
1, 3, 4, 5 Front
2, 3, 4, 5 Rear



Rail and Bracket Kit

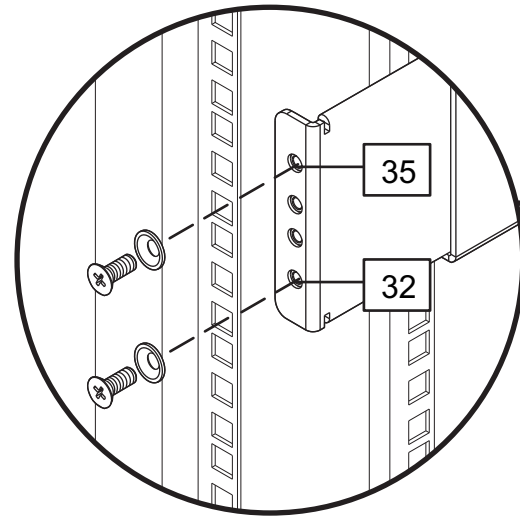
Steps 4-7

Rail and Bracket Installation for Pre-assembled Rack-mount Extended Run Cabinet



Steps 4-7

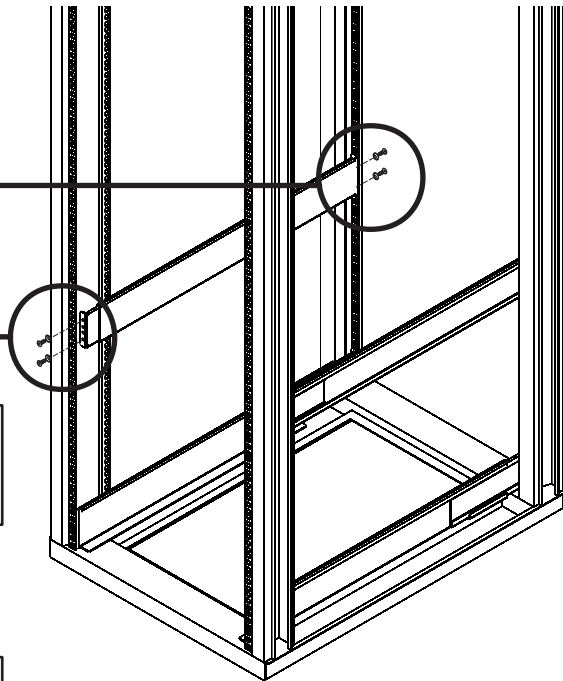
Rail and Bracket
Installation for
Pre-assembled
Rack-mount
Extended Run Cabinet



9-Battery Frame
32, 35 Front
32, 35 Rear

4

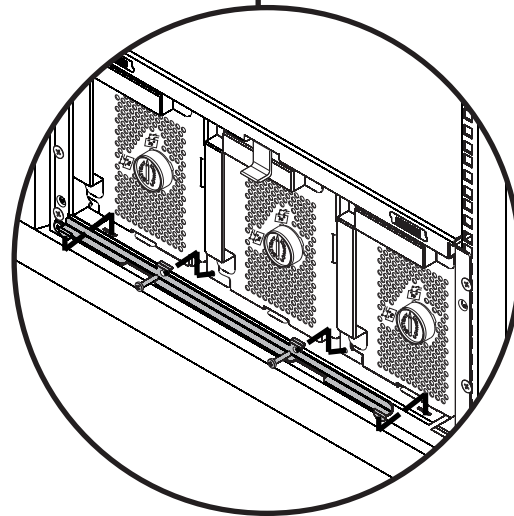
3-Battery Frame
Not applicable



9-Battery Frame
Retention Brackets (3)
Screws (6)

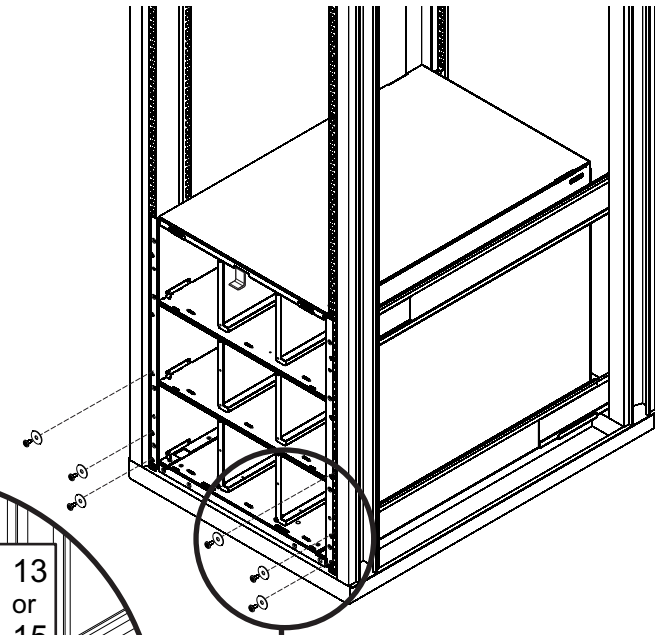
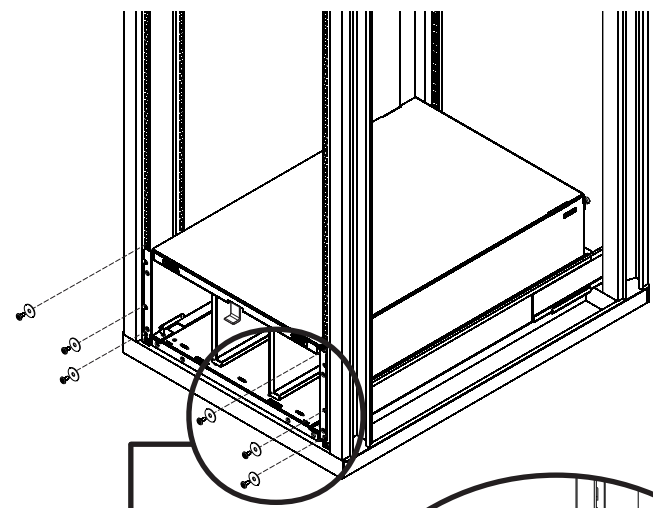
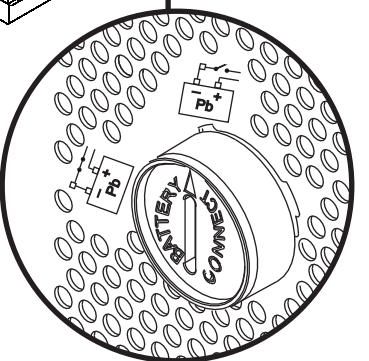
6

3-Battery Frame
Retention Brackets (1)
Screws (2)



Battery Module
Disconnect Position
(Open)

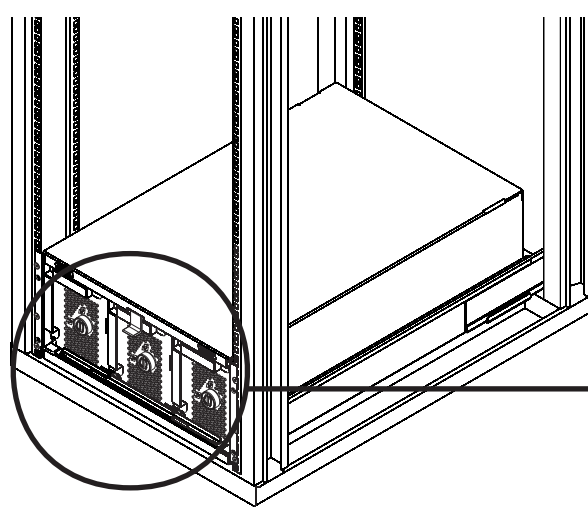
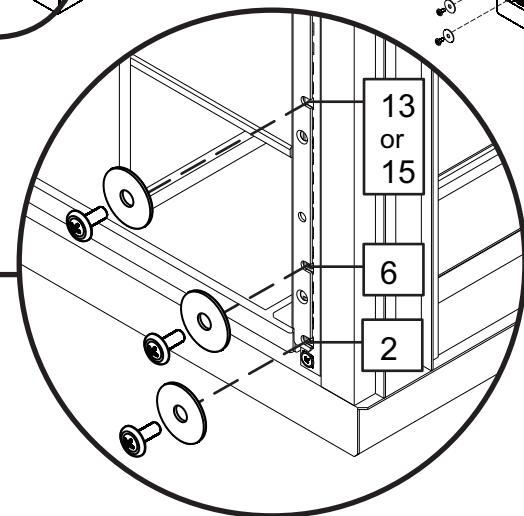
7



3-Battery Frame
2, 6, 13

5

9-Battery Frame
2, 6, 15, 24, 33



Battery Module Disconnect Position (Open)	1 ↓ Coin	2 ↓	3 ↓	
Battery Module Connect Position (Closed)				

✓

X