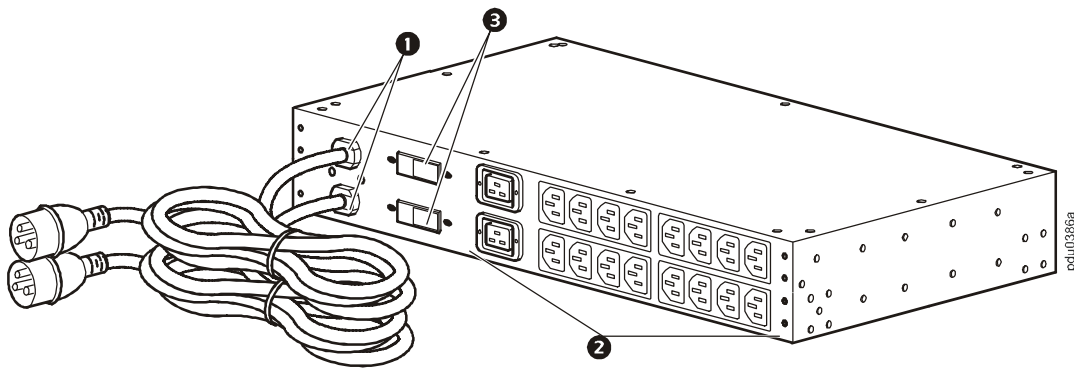


Automatic Transfer Switch

Overview

The American Power Conversion (APC[®]) Rack Automatic Transfer Switch (ATS) provides reliable, redundant power to single-corded equipment. The Rack ATS has dual input power cords supplying power to the connected load. If the primary source becomes unavailable, the Rack ATS will seamlessly source power from the secondary source without interrupting critical loads. Networked units have built-in network connectivity, which allows for remote management via Web, SNMP, or Telnet interfaces.

Rear view—AP7724



	Item	Description/Function
①	Power cords	The two cords connect the ATS to two separate power sources (A, B). The switch draws power from the preferred source and automatically switches to the secondary source when necessary. The two (2) 2.44-m (8-ft) power cords have IEC-309 32 A plugs.
②	Outlets	The outlets connect the ATS to equipment in the rack or enclosure, providing a redundant source of power to the connected equipment. Each switch has sixteen (16) C13 outlets and two (2) C19 outlets.
③	Circuit breakers	The ATS is protected by two (2) 16 A single-pole circuit breakers.

Specifications

AP7724

Electrical

Nominal input voltage	230 Vac
Acceptable input voltage	±10% of nominal
Input frequency	50/60 Hz
Input connectors	Two (2) 2.44-m (8-ft) IEC-309 32-A power cords
Output connectors	Sixteen (16) C13 outlets Two (2) C19 outlets
Maximum output current	10 A–C13 outlets 16 A–C19 outlets 16 A–bank
Maximum output/input current	32 A
Overload protection	
Internal	Two (2) 16-A single-pole circuit breakers
External (recommended)	32 A facility provided
Transfer time	8–12 ms typical, 16 ms maximum 60 Hz, 18 ms maximum 50 Hz

Physical

Dimensions (H x W x D)	8.81 x 43.00 x 23.62 cm (3.47 x 17.00 x 9.30 in)
Shipping dimensions (H x W x D)	18.42 x 61.29 x 35.56 cm (7.25 x 24.13 x 14.00 in)
Weight	6.85 kg (15.10 lb)
Shipping weight	9.34 kg (20.60 lb)

Environmental

Maximum elevation (above MSL)	
Operating	0 to 3000 m (0 to 10,000 ft)
Storage	0 to 15 000 m (0 to 50,000 ft)
Temperature	
Operating	–5 to 45°C (23 to 113°F)
Storage	–25 to 65°C (–13 to 149°F)
Humidity	
Operating	0 to 95%, non-condensing
Storage	0 to 95%, non-condensing

Compliance

EMC approvals	EN55022-Class A, VCCI, MIC, C-Tick, CE
Safety approvals	TUV-R, TUVR-S, GOST, CE