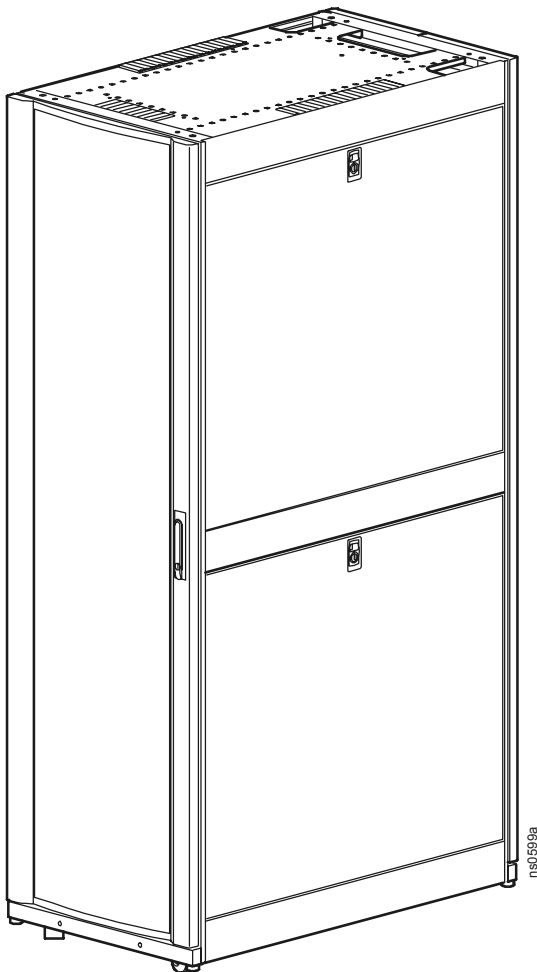


NetShelter[®] SX Enclosure with 2000-lb Rated Packaging

Guide for Receiving, Unpacking, and Moving



Note

Save these instructions. This guide contains important information for receiving, unpacking, and moving the enclosure to its final location.



Introduction

Thank you for purchasing the NetShelter Configure-to-Order (CTO) Enclosure. Your NetShelter CTO Enclosure is identical to the NetShelter SX-series enclosures, but has been shipped with the equipment that you ordered. The illustrations in these instructions represent the NetShelter SX standard configuration. Your configuration may differ based upon the equipment ordered. For detailed instructions on setting up and adjusting the enclosure, refer to the manual provided with your enclosure.

Product Specifications

Product specifications for your NetShelter CTO Enclosure are identical to those of the corresponding NetShelter SX-series enclosures except for the net weight, which includes the added weight of the installed equipment, and possibly the ventilation open area, which may be different from that specified in the NetShelter SX manual if non-standard doors have been used. For more information, see the product specifications supplied with the individual components installed in your enclosure.

Packaging for standard enclosures



See also

Refer to the NetShelter SX *Installation* manual for detailed unpacking instructions for standard enclosures.

Safety Information



Heavy

Do not attempt to move the enclosure without assistance. The recommended equipment to move the enclosure while it is still on its shipping pallet includes the following:



Pallet jack



Forklift



Warning

Use caution when moving the enclosure on its casters.



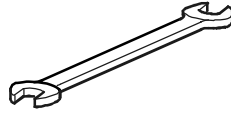
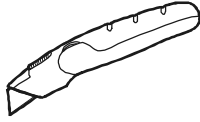
Push the enclosure from the front or the back to move it.

Tools Required for Unpacking

To unpack the enclosure, you will need these tools:

Utility knife

13-mm open-ended
wrench



See also

Refer to the NetShelter *Installation* manual for other tools that may be required.

Inspection of the Shipment

Exterior inspection

Before unpacking the shipment, verify that the labeled boxes match the bill of lading and carefully inspect the exterior of the shipment immediately upon receipt.

Reporting shipping damage

If you detect shipping damage, contact APC Customer Support at the number listed on the yellow label on the front of the enclosure or on the back cover of the enclosure's *Installation* manual.

Inspection of the unpacked enclosure

Once you have unpacked the enclosure, carefully inspect it for visible signs of shipping damage.

How to Unpack the Enclosure



The shipping materials are recyclable. Save them for later use, or dispose of them appropriately.



Note

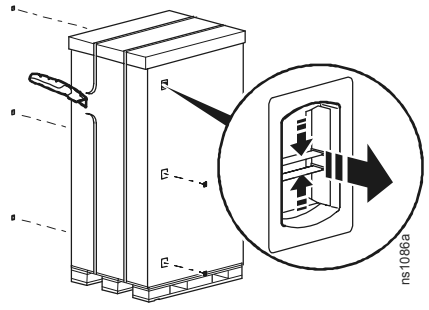
When possible, leave the enclosure on the pallet until you are ready to place it in its final location.



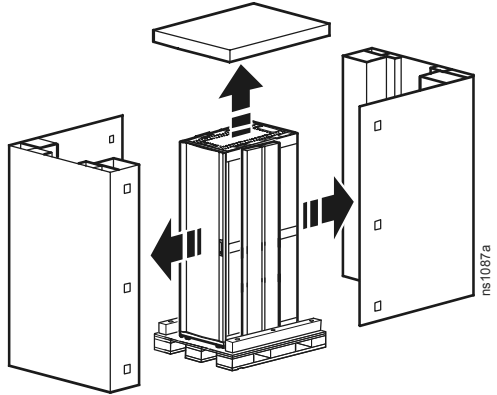
Caution

Leaving the enclosure uncovered and exposed to the elements will damage the enclosure and void the factory warranty.

1. Move the shipping pallet to a firm, level surface in an open area.
2. Cut the straps holding the enclosure package to the pallet and remove the six clips.



3. Remove the top packaging piece and the two side packaging pieces.

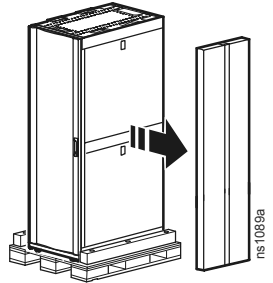


4. Remove the tape securing the ramps to the enclosure, and set the ramps aside.



Note

The ramps are in a cardboard box wrapped with the enclosure.

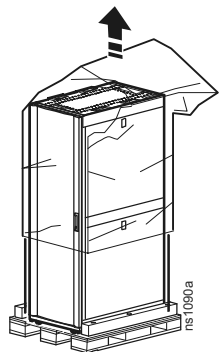


5. Remove the plastic bag from the enclosure.

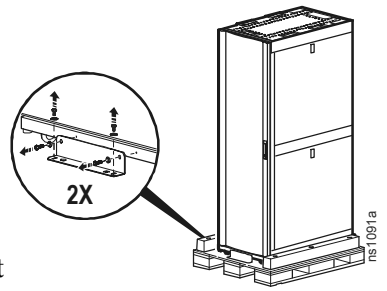


Note

Save the bag containing the registration card and installation manual.



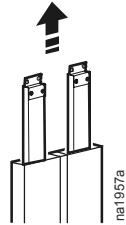
6. Remove the two pallet-mounting brackets that anchor the enclosure to the shipping pallet, using a 13-mm open-ended wrench (not provided).



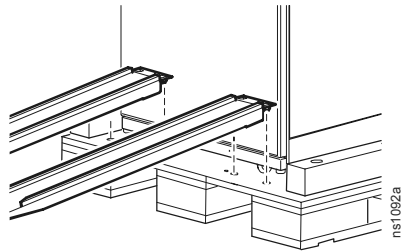
Note

Save the pallet-mounting brackets if you plan to bolt the enclosure to the floor. See “Rack stabilization options” in the enclosure’s installation manual for stabilization options.

7. Remove the ramps from their cardboard packaging.



8. Attach each ramp to the pallet by placing the attachment tabs on the ramps into the tab holes on the back of the pallet.



9. Carefully roll the enclosure toward the back of the pallet and down the ramp.

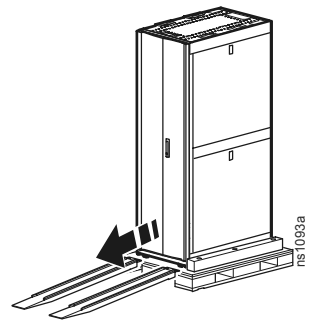


Moving the unit requires two people.



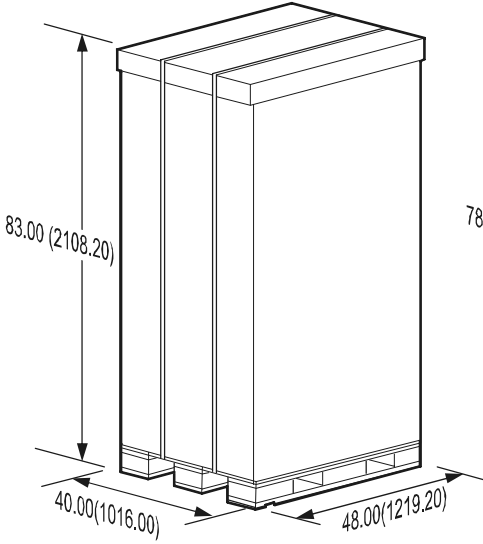
Note

Save the pallet if you plan to reship the enclosure.

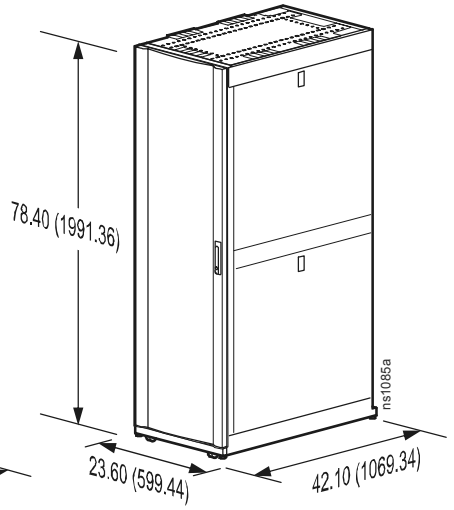


Dimensions and Weights

AR3100

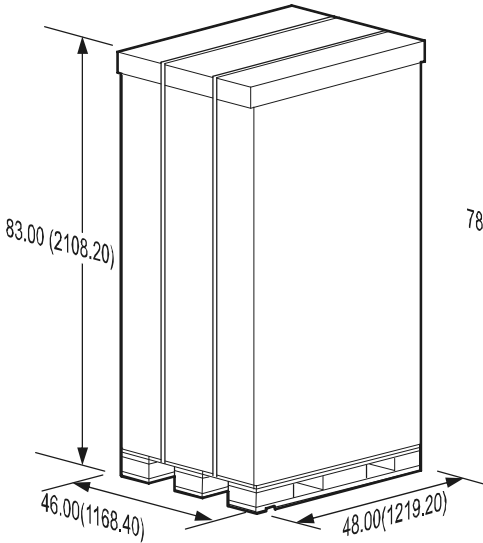


**Packed: Unpacked weight +
90 lbs (40.82 kg)**

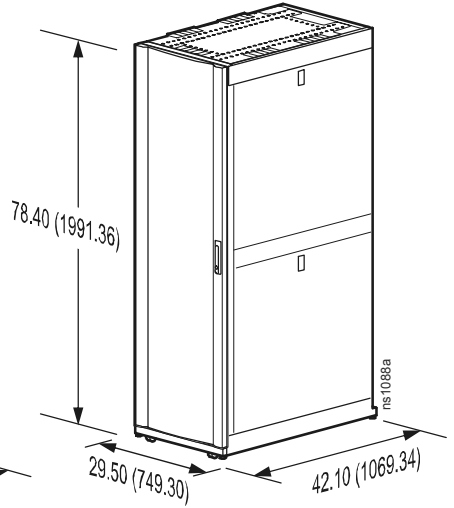


**Unpacked: 275.20 to 2000 lbs
(124.82 to 917.18 kg)**

AR3150



**Packed: Unpacked weight +
100 lbs (45.35 kg)**



**Unpacked: 343.10 to 2000 lbs
(155.62 to 917.18 kg)**

*Dimensions are shown in inches, with millimeters in parentheses.