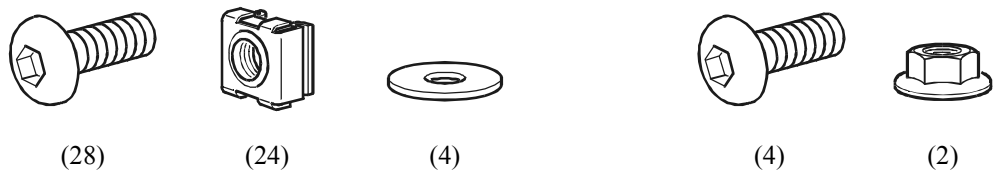
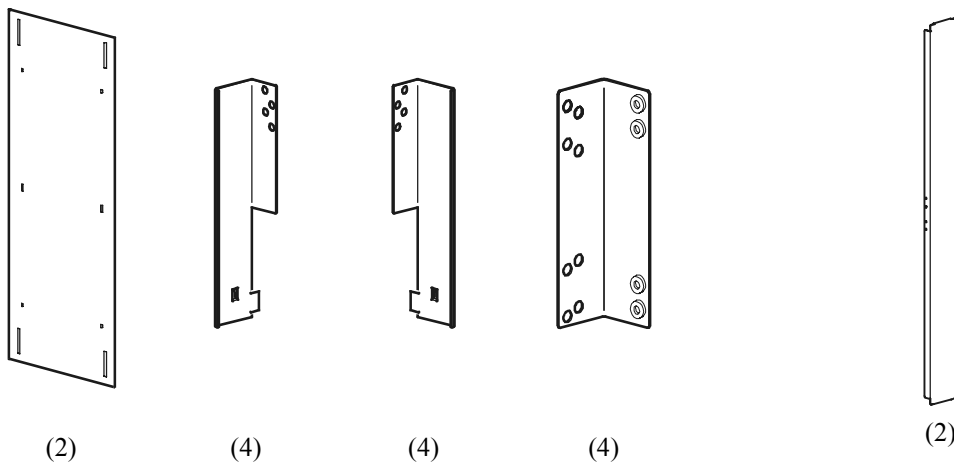


NetShelter VX Privacy Panels—AR8349BLK

Overview

The NetShelter® VX Privacy Panels kit (AR8349BLK) includes wide and narrow privacy panels for your NetShelter VX Enclosure. To install the wide privacy panels see “How to install wide privacy panels in AR2100 enclosures” on page 2 or “How to install wide privacy panels in AR2310 enclosures” on page 4. To install the narrow privacy panels see “How to install narrow privacy panels on AR2100 and AR2310 enclosures” on page 6.

Inventory



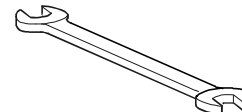
Tools required (not provided)



Caged nut tool



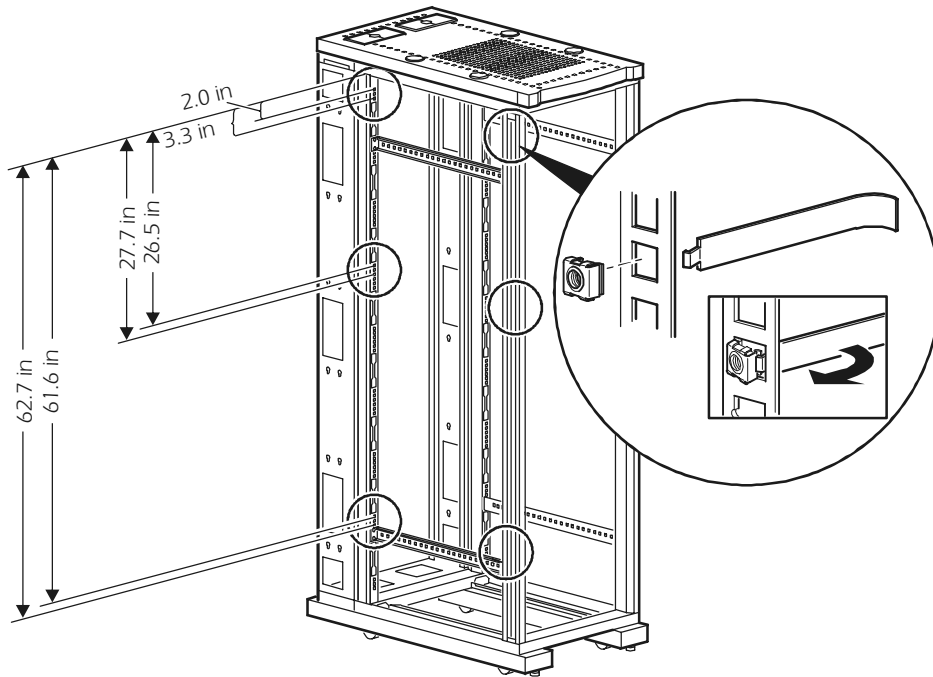
M5 hex wrench



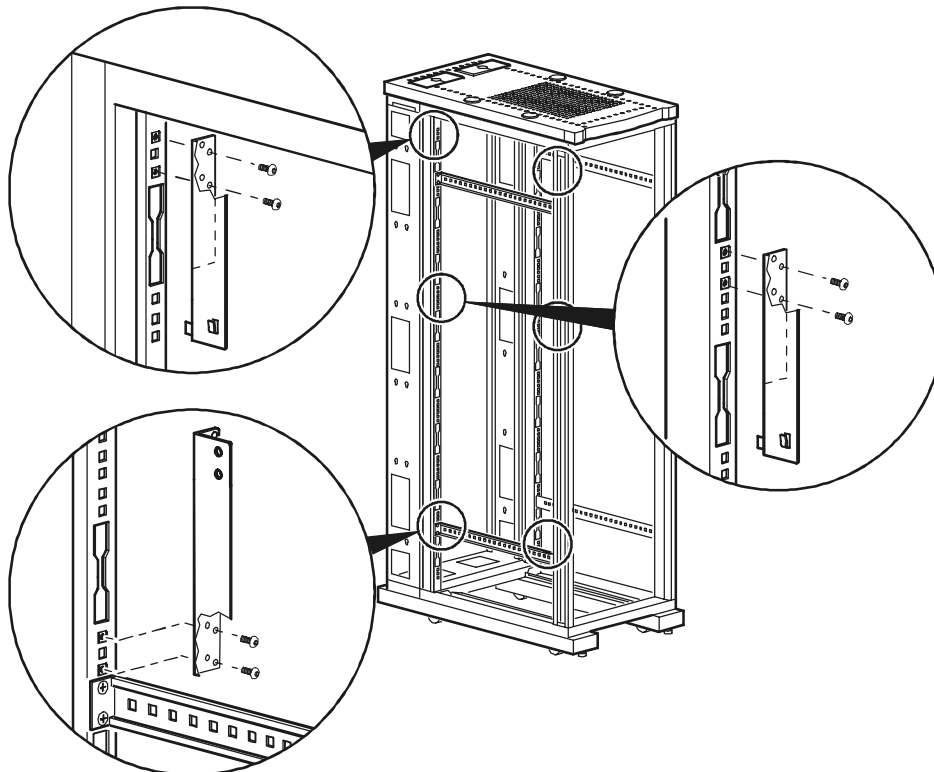
M10 wrench

How to install wide privacy panels in AR2100 enclosures

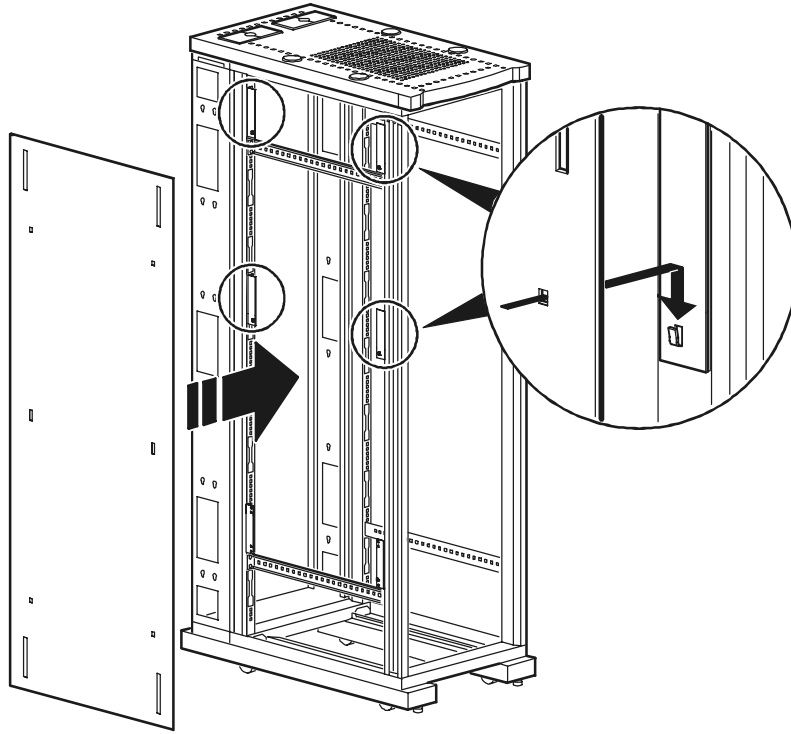
1



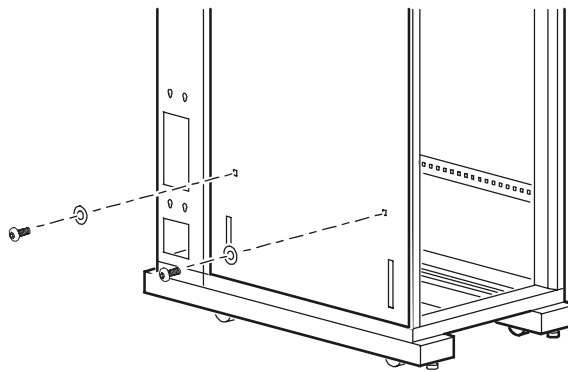
2



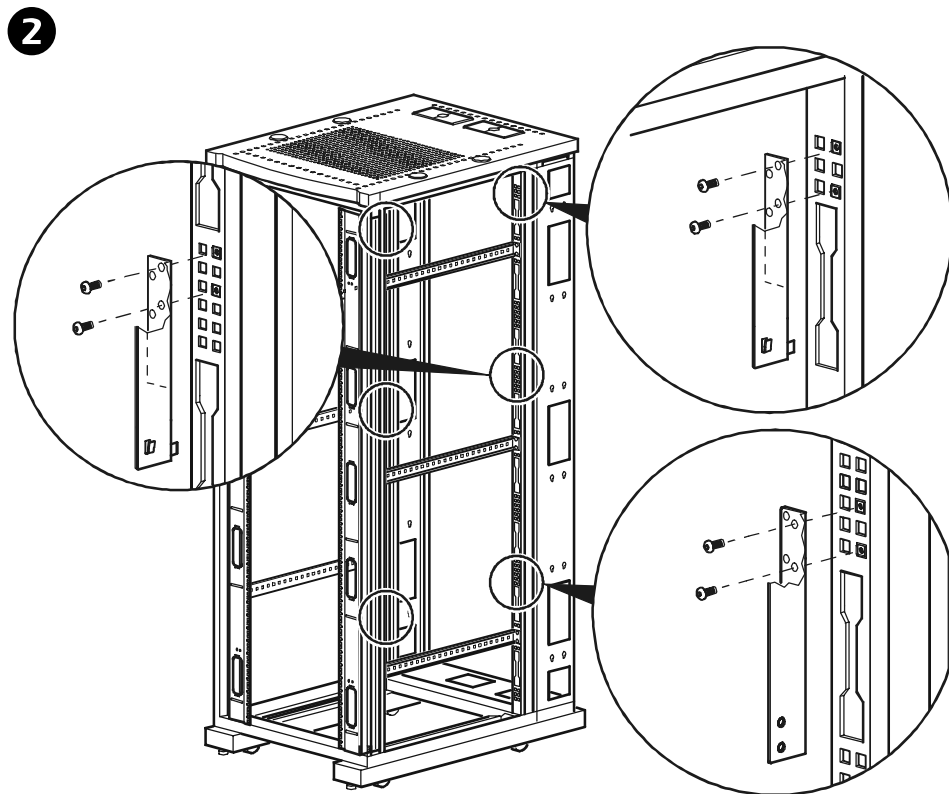
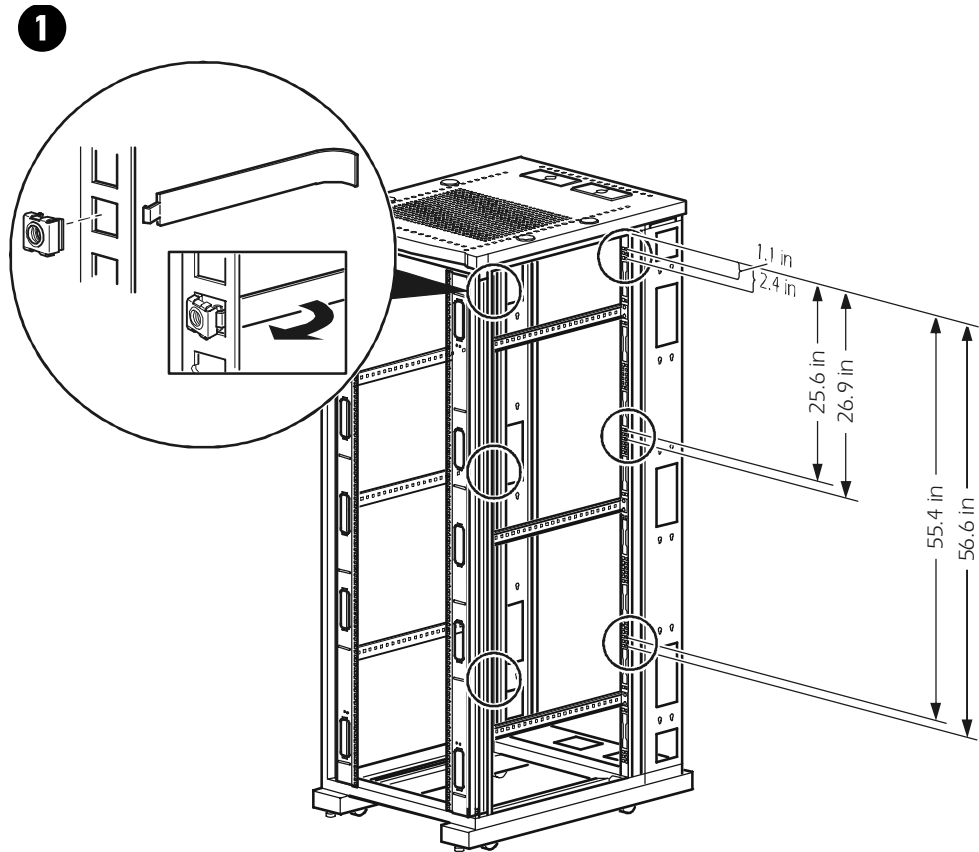
3



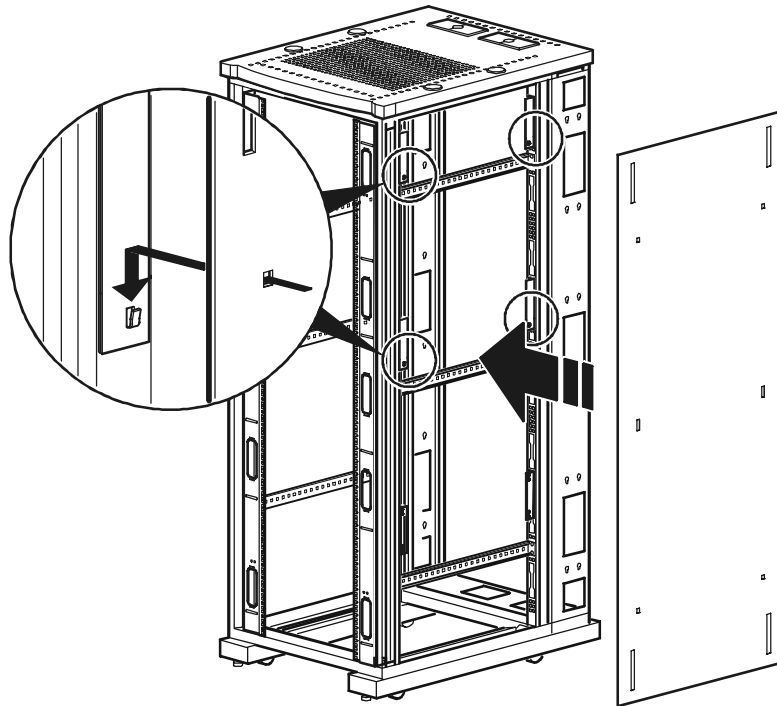
4



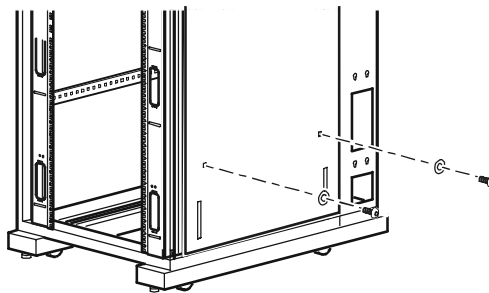
How to install wide privacy panels in AR2310 enclosures



3

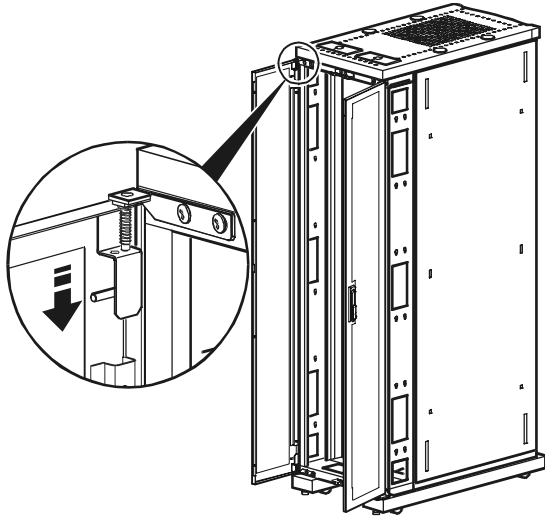


4

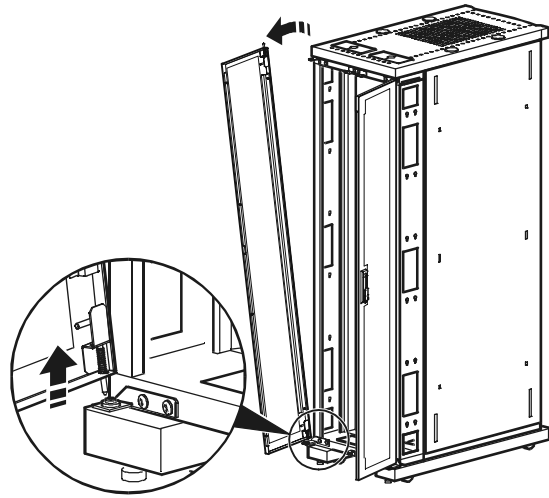


How to install narrow privacy panels on AR2100 and AR2310 enclosures

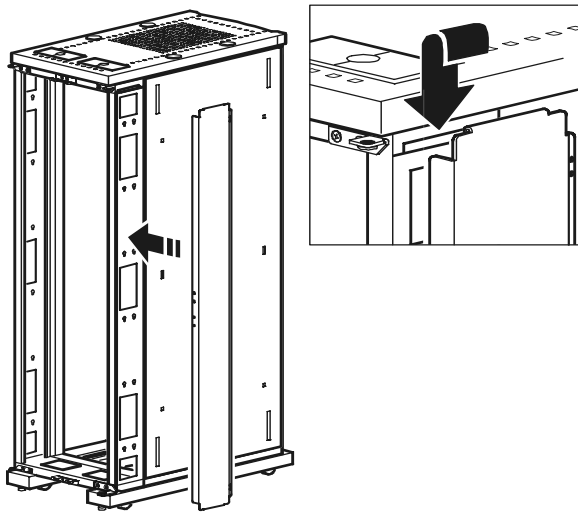
1



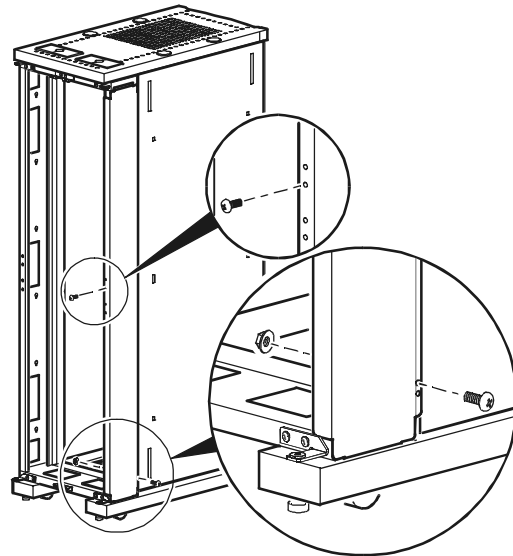
2

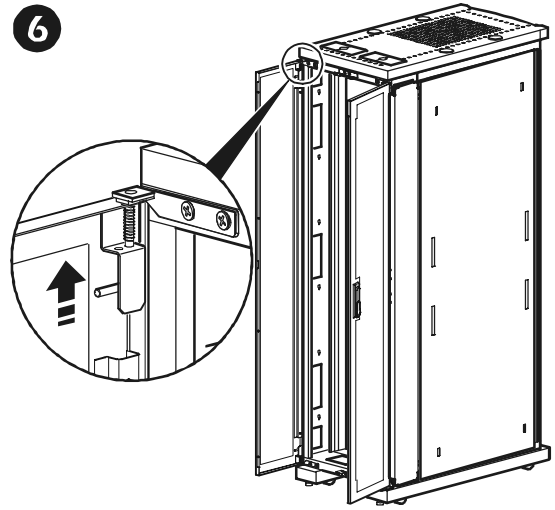
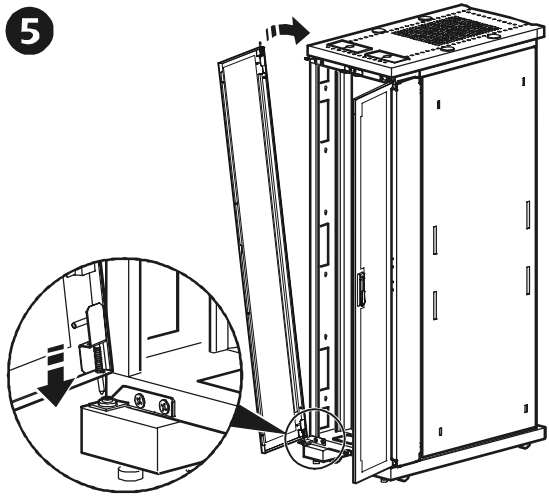


3



4





APC Worldwide Customer Support

Customer support for this or any other APC product is available at no charge in any of the following ways:

- Visit the APC Web site to access documents in the APC Knowledge Base and to submit customer support requests.
 - **www.apc.com** (Corporate Headquarters)
Connect to localized APC Web sites for specific countries, each of which provides customer support information.
 - **www.apc.com/support/**
Global support searching APC Knowledge Base and using e-support.
- Contact an APC Customer Support center by telephone or e-mail.
 - Regional centers:

Direct InfraStruXure Customer Support Line	(1)(877)537-0607 (toll free)
APC headquarters U.S., Canada	(1)(800)800-4272 (toll free)
Latin America	(1)(401)789-5735 (USA)
Europe, Middle East, Africa	(353)(91)702000 (Ireland)
Japan	(0) 3 5434-2021
Australia, New Zealand, South Pacific area	(61) (2) 9955 9366 (Australia)

- Local, country-specific centers: go to **www.apc.com/support/contact** for contact information.

Contact the APC representative or other distributor from whom you purchased your APC product for information on how to obtain local customer support.

Entire contents © 2005 American Power Conversion. All rights reserved. Reproduction in whole or in part without permission is prohibited. APC, the APC logo, NetShelter, and InfraStruXure are trademarks of American Power Conversion Corporation and may be registered in some jurisdictions. All other trademarks, product names, and corporate names are the property of their respective owners and are used for informational purposes only.

