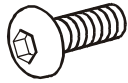


NetShelter[®] Recessed Rail Kit—AR8010BLK

Inventory



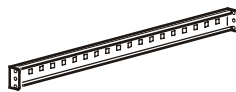
❶ M6 screw (24)



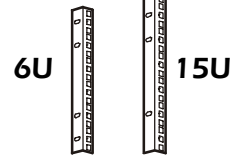
❷ M6 caged nut (24)



❸ Horizontal brace (4)



❹ Horizontal brace (2);
when using baying brackets



❺ 6U and ❻ 15U vertical
mounting rail (4 each)

Tools required



Caged nut tool



M5 hex wrench

How to install and remove caged nuts

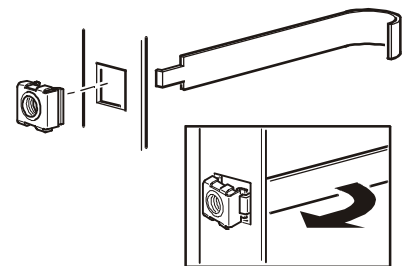
To install a caged nut:



Warning

Install the caged nut horizontally. Do not install the caged nut vertically with the sides of the caged nut engaging the top and bottom of the square hole.

1. Insert the caged nut into the square hole by hooking one side of the caged nut assembly through the far side of the hole.
2. Place the caged nut tool (provided) on the other side of the caged nut and pull to snap it into position.

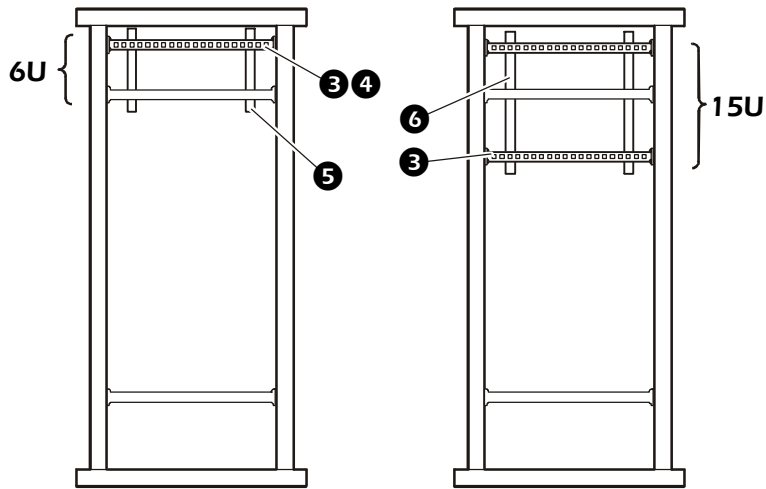


To remove a caged nut:

1. Remove any attached screw.
2. Grasp the caged nut and squeeze the sides to release it from the square hole.

Location of vertical mounting rails

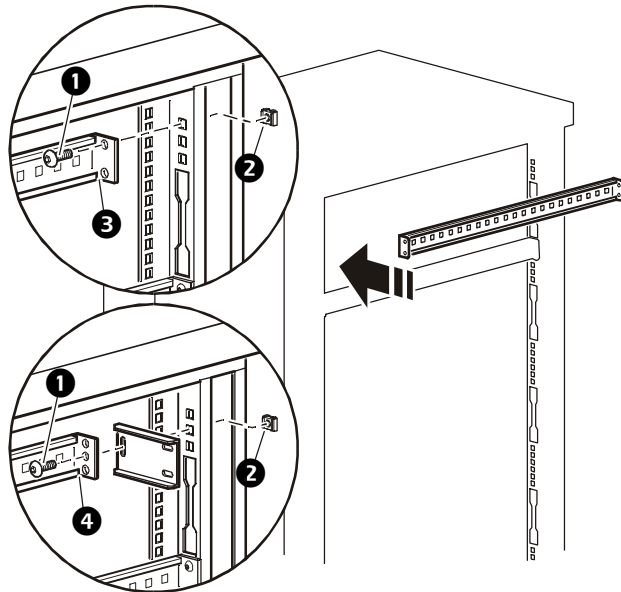
Determine the type (6U or 15U) and location of the horizontal braces needed for your situation.



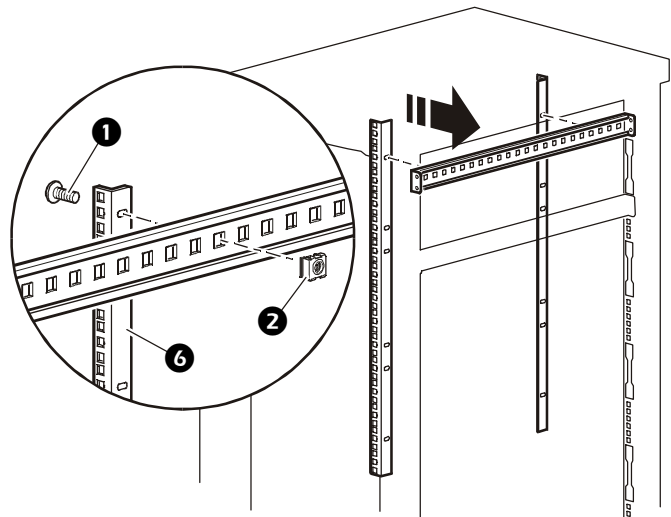
How to install the 15U vertical mounting rails

1. Install the upper horizontal brace ③ in the uppermost position in the enclosure using four screws ① and four caged nuts ② for each brace.

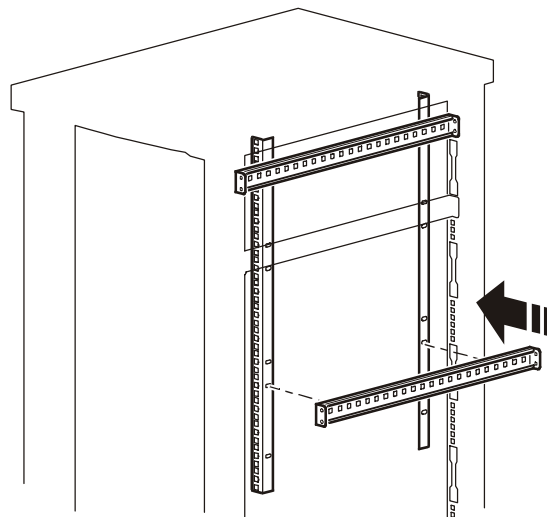
Note: When installing the horizontal braces on enclosures with baying brackets, use the horizontal brace with three mounting holes on each end ④ and use one fastener per brace.



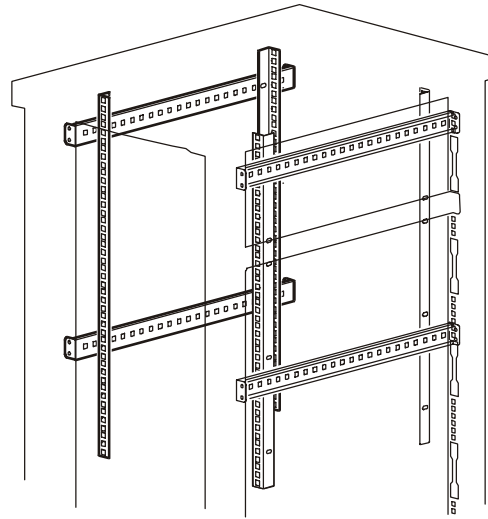
- Using the top slot, attach the 15U vertical mounting rails to the inside of the horizontal brace, using two caged nuts **2** and two M6 screws **1**.



- Using the fifth slot of the vertical mounting rails, attach the lower horizontal mounting rail to the vertical mounting rails using two caged nuts **2** and two M6 screws **1**.
- Attach the lower horizontal brace **3** to the enclosure, using four screws **1** and four caged nuts **2** for each brace.



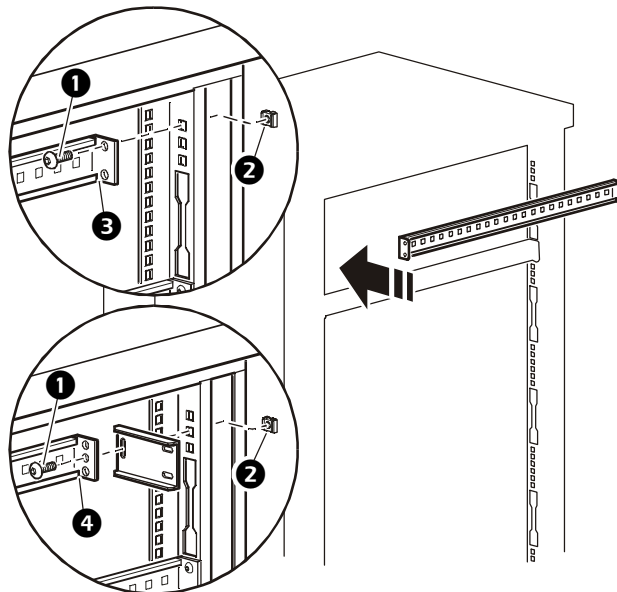
- Repeat steps 1–4 to install the vertical mounting rails on the other side of the enclosure.



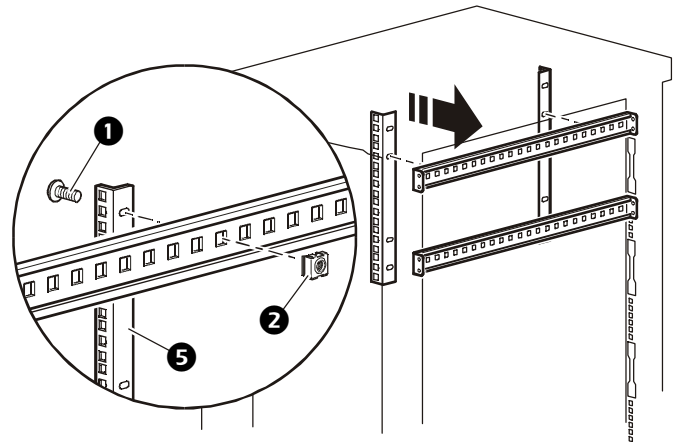
How to install the 6U vertical mounting rails

- Install the upper horizontal brace **3** in the uppermost position in the enclosure, using four screws **1** and four caged nuts **2**.

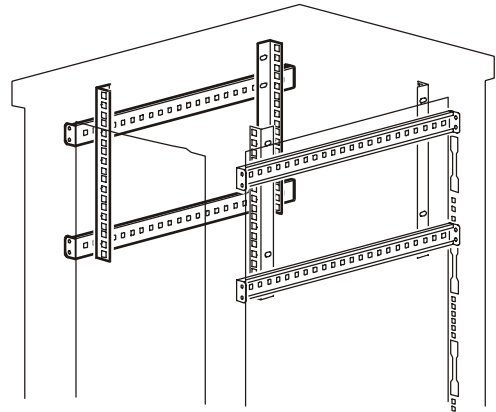
Note: When installing the horizontal braces on enclosures with baying brackets, use the horizontal brace with three mounting holes on each end **4**. Attach with one fastener.



2. Attach the 6U vertical mounting rails to the inside of the horizontal brace installed in the previous step and the horizontal brace already installed on the rack. Use two caged nuts **2** and two M6 screws **1** for each vertical mounting rail.



3. Repeat steps 1–2 for the other side of the enclosure.



APC Worldwide Customer Support

Customer support for this or any other APC product is available at no charge in any of the following ways:

- Visit the APC Web site to access documents in the APC Knowledge Base and to submit customer support requests.
 - **www.apc.com** (Corporate Headquarters)
 - Connect to localized APC Web sites for specific countries, each of which provides customer support information.
 - **www.apc.com/support/**
 - Global support searching APC Knowledge Base and using e-support.
- Contact an APC Customer Support center by telephone or e-mail.
 - Regional centers:

Direct InfraStruXure Customer Support Line	(1)(877)537-0607 (toll free)
APC headquarters U.S., Canada	(1)(800)800-4272 (toll free)
Latin America	(1)(401)789-5735 (USA)
Europe, Middle East, Africa	(353)(91)702000 (Ireland)
Japan	(0) 3 5434-2021
Australia, New Zealand, South Pacific area	(61) (2) 9955 9366 (Australia)

- Local, country-specific centers: go to **www.apc.com/support/contact** for contact information.

Contact the APC representative or other distributor from whom you purchased your APC product for information on how to obtain local customer support.

Entire contents copyright © 2004 American Power Conversion. All rights reserved.
 Reproduction in whole or in part without permission is prohibited. APC, the APC logo, NetShelter, and InfraStruXure are trademarks of American Power Conversion Corporation and may be registered in some jurisdictions. All other trademarks, product names, and corporate names are the property of their respective owners and are used for informational purposes only.

