



NetBotz Small Device Tray

The NetBotz Small Device Tray enables you easily and securely mount two 4- or 7-port USB hubs (or other similar small devices such as NetBotz Extended Storage Systems or NetBotz CAT5 or Fiber 500M Pod Extenders) in a 1U high tray. This tray also enables you to secure device power supplies and provides strain-relieving mounting hardware to prevent connections from coming loose. The NetBotz Small Device Tray, mounted in the rear of the rack, includes a variety of mounting hardware to simplify your device mounting tasks.

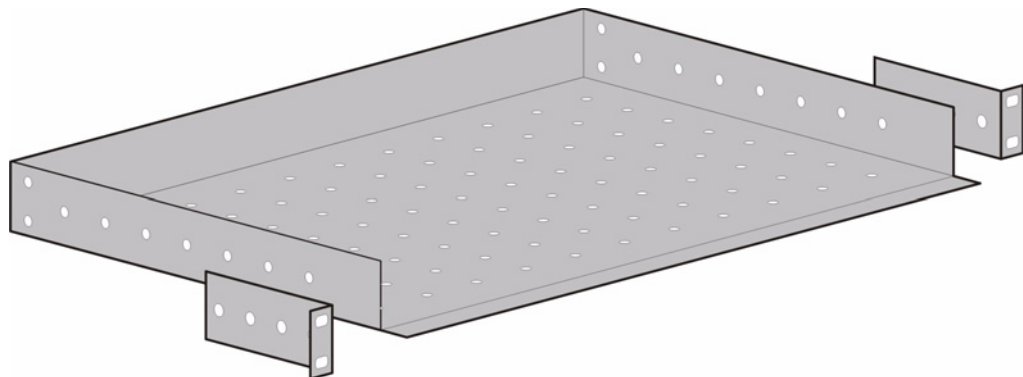
Included Materials

Your NetBotz Small Device tray package contains the following:

- 1 NetBotz Small Device Tray
- 2 tray mounting ears, with screws (used to mount the tray to the rack)
- 4 1" adhesive-backed gray power cable routing clips (used to route power cables along the side of the tray)
- 10 1" square adhesive-backed cable mounts (used with the included cable mount ties to secure USB and other cables to the tray)
- 8 2"x1" Velcro pads (used to secure hubs, power supplies, or other devices to the tray)
- 4 10" Velcro "hook and loop" strips (used to simplify routing of cables after they exit the tray)
- 12 cable mount ties

Installing the Mounting Ears

The mounting ears are connected to the Small Device Tray using the included ear mounting screws (2 for each ear; position the screws in holes 1 and 3 when mounting the ears to the tray). The mounting ears are installed at the front edge of the Small Device Tray as shown below:



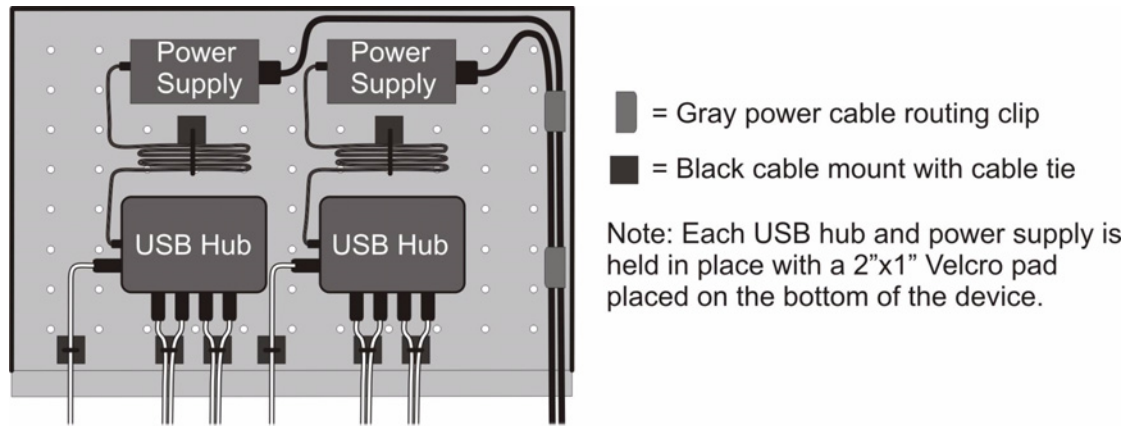
Once you have installed the mounting ears you can proceed with placing and securing your devices and their cables in the Small Device Tray.

Installing Your Devices

Before installing the Small Device Tray in your rack you should first mount your devices in the tray and secure their cables. Your NetBotz Small Device Tray includes a variety of mounting hardware to aid you in mounting and securing your devices. The Small Device Tray is designed

to permit a wide variety of mounting and deployment options. The way in which you choose to mount your devices is largely dependant on how many devices you are mounting and the specific dimensions of each device. The NeBotz Small Device Tray also features many pre-drilled holes that can be used to secure devices directly to the tray (by wrapping a cable tie around the device and then feeding through the holes in the tray, for example).

The following example illustration shows a suggested mounting arrangement for 2 USB hubs and their power supplies, as well as suggested wire routing and mounting for the USB cables and power cables.



Installing Your Small Device Tray

Once you have finished mounting your devices you can install the Small Device Tray in your rack. Using the appropriate mounting hardware for your rack, mount the mounting ears to your rack. After the rack is installed, connect all remaining cables to the appropriate devices or power sources.

PN: 02470D00