

NetBotz External Door Sensor

Thank you for purchasing this NetBotz External Door Sensor. By connecting the sensor to one of the External Sensor Ports on a NetBotz appliance or Sensor Pod 120, you can be alerted when additional doors are opened (or closed, depending on your External Sensor settings).

The NetBotz External Door Sensor package includes the following items:

- The External Door Sensor



Note

If the cable is not long enough, use a NetBotz Extension Cable for External Sensors (available in 50' and 100' lengths) to lengthen the cable.

- Cable mounting kit
- About Your NetBotz External Door Sensor (this pamphlet)



Note

This external sensor can be used only with NetBotz appliances that feature external sensor ports.

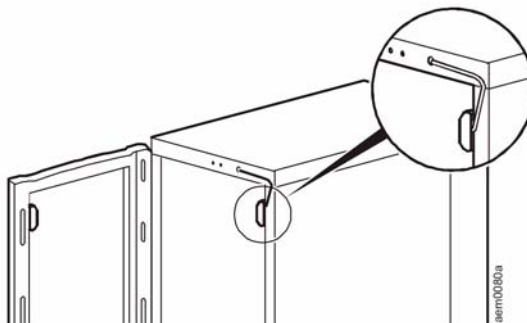
Installing the External Door Sensor

Before configuring your appliance to use the External Door Sensor, you should mount the door contact switch to the door and door frame that will be monitored.

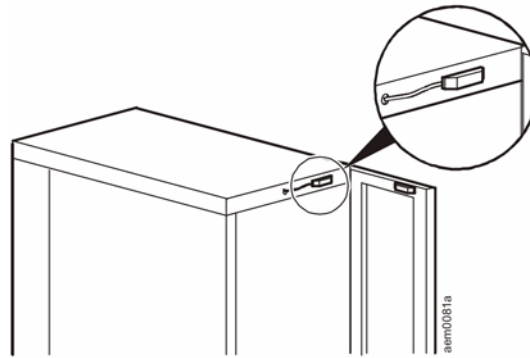
Mounting on a NetShelter SX Enclosure:

If you are mounting the door switch sensor on the front or rear door of a APC NetShelter SX enclosure:

1. Choose a location at the top of the enclosure to install the door switch and door switch magnet.
 - Front door: Install the front door switch and front door switch magnet perpendicular to the floor.



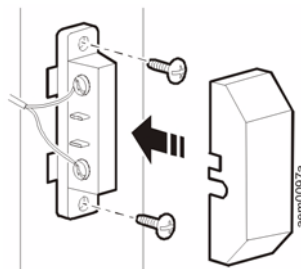
- Rear door: Install the rear door switch and rear door switch magnet parallel to the floor.



2. Connect the door switches to the enclosure frame.
 - a. Attach the part of the door switch with the wire connectors to the door frame of the enclosure, using two screws (provided).
 - b. Cut back the covers on the ends of both wires on the door switch cable (provided), and remove a small amount of insulation from the end of each wire. Be careful not to cut through the insulation into the wire itself.



- c. Place the bare ends of the wire under the square metal washers and wrap them clockwise around the screws. Tighten the screws.
- d. Place the plastic cover over the door switch and snap the cover into place. Route the cable out the opening in the cover.



- e. Plug the door switch cables into the ports marked Front Door Switch and Rear Door Switch on the rear panel of the Rack Access PX.

3. Connect the door switch magnet to the enclosure door.

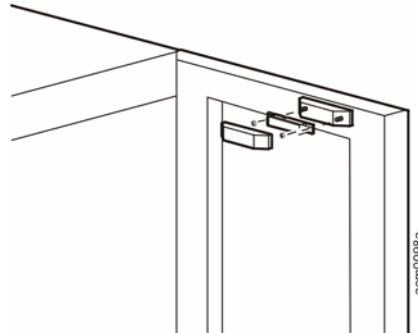


Note

Do not place the plastic cover over the door switch magnet until the door switch has been installed on the enclosure door.

- Front door
 - a. Attach the door switch magnet to the enclosure door, using two screws (provided).
 - b. Cover the door switch magnet with the plastic cover, and snap the cover into place.
- Rear door

- a. Attach the rear door switch magnet to the enclosure door, using the nuts (provided).
- b. Slide the door switch magnet over the existing pegs and bolt it into place, using two nuts.
- c. Cover the door switch magnet with the plastic cover, and snap the cover into place.



4. Connect the switch to a NetBotz appliance or Sensor Pod 120 External Sensor Port.

Other Mounting Options

If you are mounting the door switch sensor in a location other than on a NetShelter SX rack:

1. Measure the distance between the location where you intend to mount the switch and the location where your NetBotz appliance is installed. Ensure that the Door Switch Sensor cable is long enough before continuing.
2. Using the included mounting hardware, attach the wired portion of the door switch to the door frame. When mounting this portion of the switch, ensure that the flat side of the switch is flush with the door frame.
3. Using the included mounting hardware, mount the non-wired portion of the switch to the door. Be sure to mount the second piece of the switch so that when the door is closed the two portions of the switch are as close to each other as possible.



Note

Once both pieces of the door switch are mounted, there must be no more than 1/4" of space between the two pieces when the door is closed.

4. Connect the switch to a NetBotz appliance or Sensor Pod 120 External Sensor Port.

Configuring Your Appliance

Once you have installed and connected the External Door Sensor, start the Advanced View on your NetBotz appliance. Then use the Sensor Pods task to create a custom sensor definition for this sensor and specify the state in which sensor will cause an alert to be generated.

PN: 02453D01