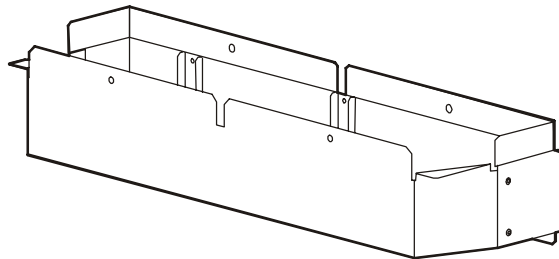
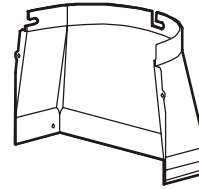


# Duct Kit for Rack Air Removal Unit, Installation—ACF126, ACF127

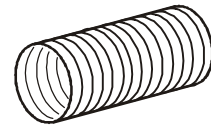
## Inventory



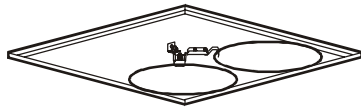
Support for the air manifolds  
(1)



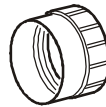
Plastic air manifolds  
(4)



Hoses  
(2)



Ceiling adapter (1)  
ACF126—24 in  
ACF127—600 mm



Holder flanges  
(2)

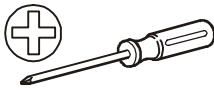


M4 Phillips machine screws  
(13)

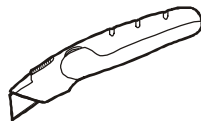


Flange nuts  
(6)

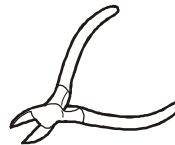
## Tools required



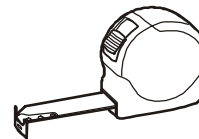
#2 Phillips screwdriver



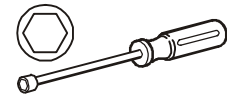
Utility knife



Wire cutters



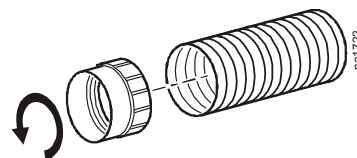
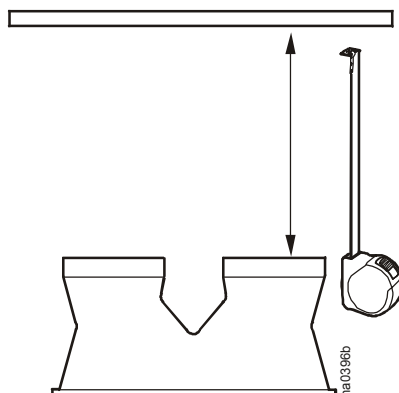
Tape measure



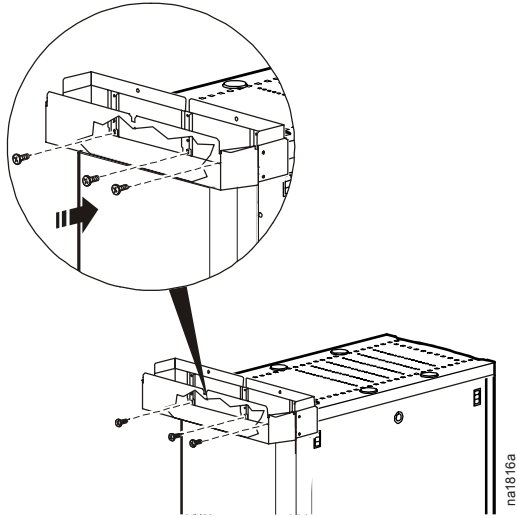
Hex nutdriver

## Installation

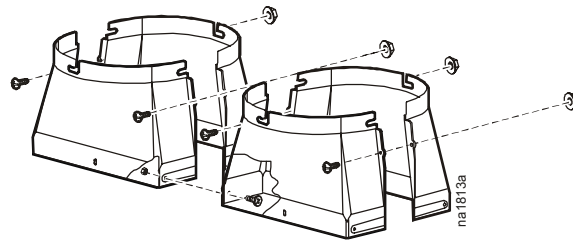
- 1 Using wire cutters and a utility knife, cut the hoses to fit your configuration. The length of the hose should equal the distance from the top of the plastic manifold to the ceiling, plus 6 in (15.24 cm).
- 2 Thread a holder flange counterclockwise onto one end of each hose and tighten by hand until it is firmly secured. Do not overtighten.



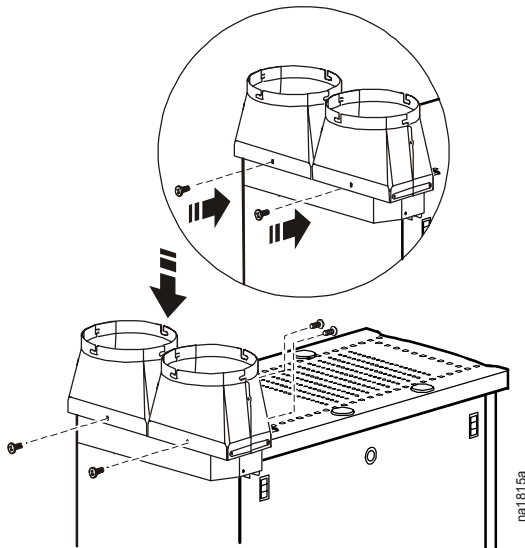
- 3 Install the support for the air manifolds on the frame of the Rack Air Removal Unit (ARU) using 3 M4 machine screws.



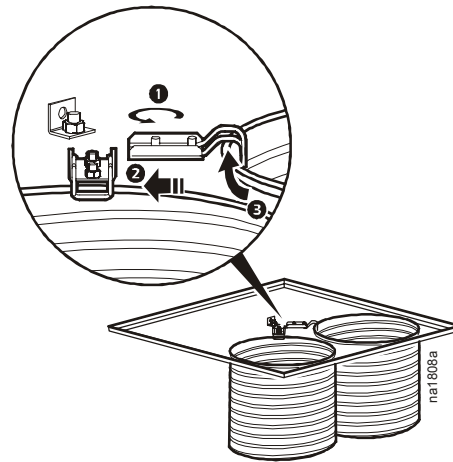
- 4 Assemble each plastic air manifold. Fit 2 pieces together, and secure them using two M4 machines screws and flange nuts. Then secure the two manifolds together.



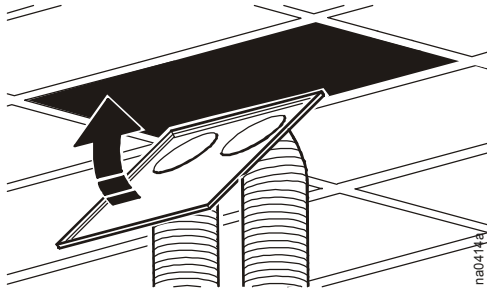
- 5 Install the plastic air manifolds onto the support for the air manifolds using 4 M4 machine screws.



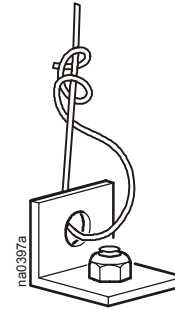
- 6 Attach the end of the each hose without a holder flange to the ceiling adapter. Loosen the clamps on the ceiling adapter and insert the end of the hose. Tighten the clamps to securely hold the hose in place.



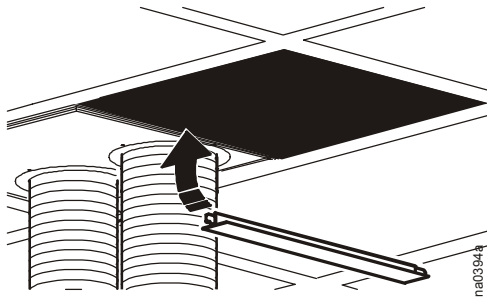
- 7 Remove the ceiling tile directly above the unit and save it for step 10. Install the ceiling adapter in the opening.



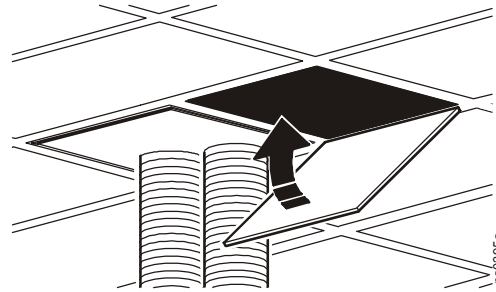
- 8 Secure the ceiling adapter to the building's structural support (not the drop ceiling), using 10-gauge (minimum) steel wire.



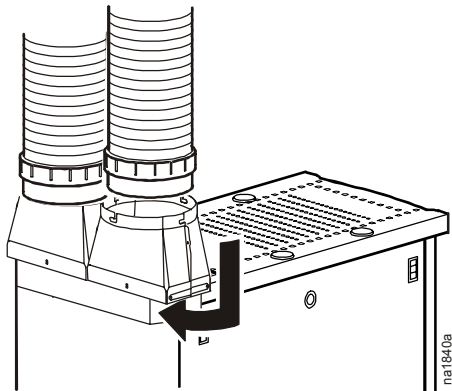
- 9 When using 2×4 ft ceiling tiles, insert a cross member (not provided) for additional support.



- 10 When using 2×4 ft ceiling tiles, cut the tile removed in step 7 to size, and install it to cover the opening.



- 11 Slide the holder flanges on the unattached ends of the hoses over the air manifold sleeve, and turn them clockwise to lock them into place.



# APC Worldwide Customer Support

Customer support for this or any other APC product is available at no charge in any of the following ways:

- Visit the APC Web site to access documents in the APC Knowledge Base and to submit customer support requests.
  - **www.apc.com** (Corporate Headquarters)  
Connect to localized APC Web sites for specific countries, each of which provides customer support information.
  - **www.apc.com/support/**  
Global support searching APC Knowledge Base and using e-support.
- Contact an APC Customer Support center by telephone or e-mail.
  - Regional centers:

Direct InfraStruXure Customer Support Line	(1)(877)537-0607 (toll free)
APC headquarters U.S., Canada	(1)(800)800-4272 (toll free)
Latin America	(1)(401)789-5735 (USA)
Europe, Middle East, Africa	(353)(91)702000 (Ireland)
Japan	(0) 3 5434-2021
Australia, New Zealand, South Pacific area	(61) (2) 9955 9366 (Australia)

- Local, country-specific centers: go to **www.apc.com/support/contact** for contact information.

Contact the APC representative or other distributor from whom you purchased your APC product for information on how to obtain local customer support.

Entire contents copyright 2005 American Power Conversion Corporation. All rights reserved. Reproduction in whole or in part without permission is prohibited. APC and the APC logo are trademarks of American Power Conversion Corporation. All other trademarks, product names, and corporate names are the property of their respective owners and are used for informational purposes only.

